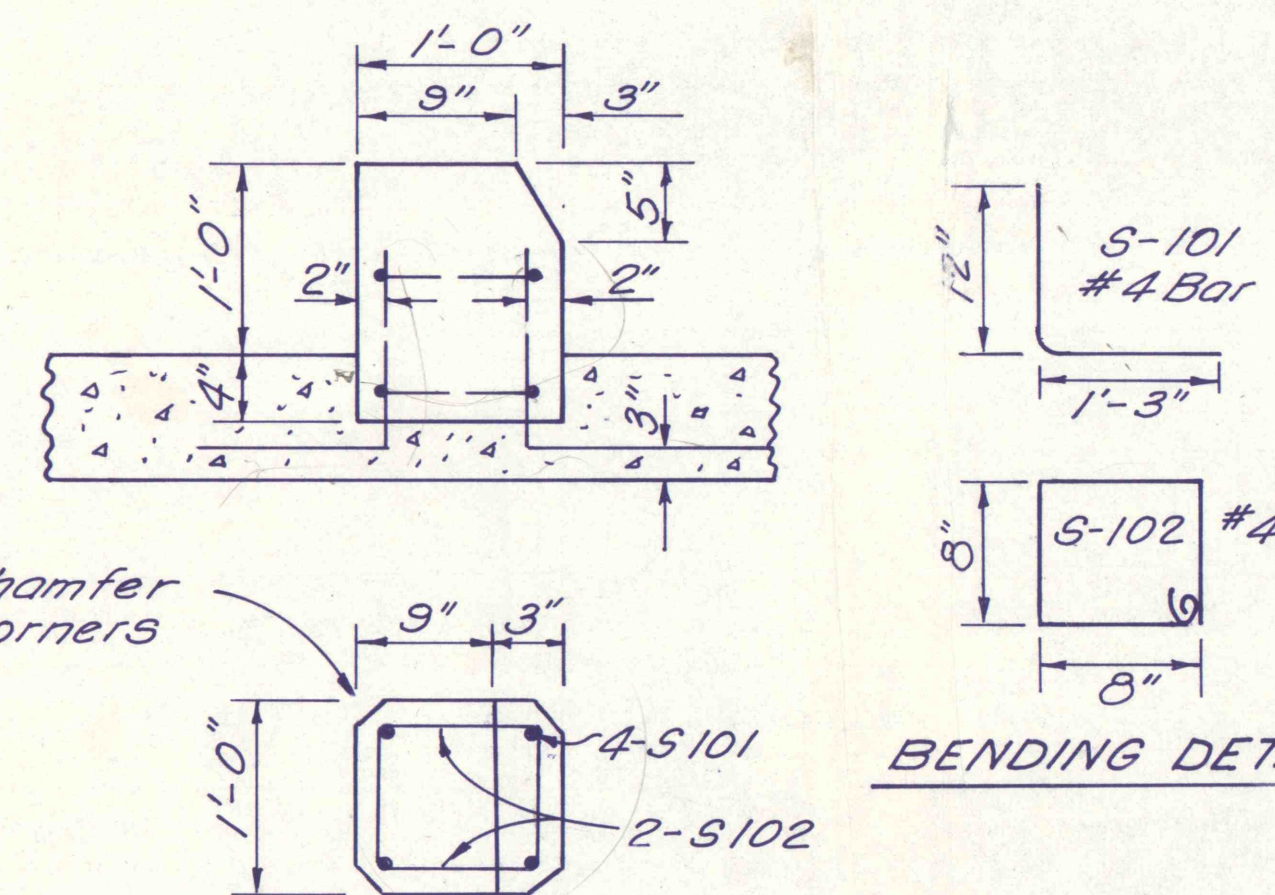
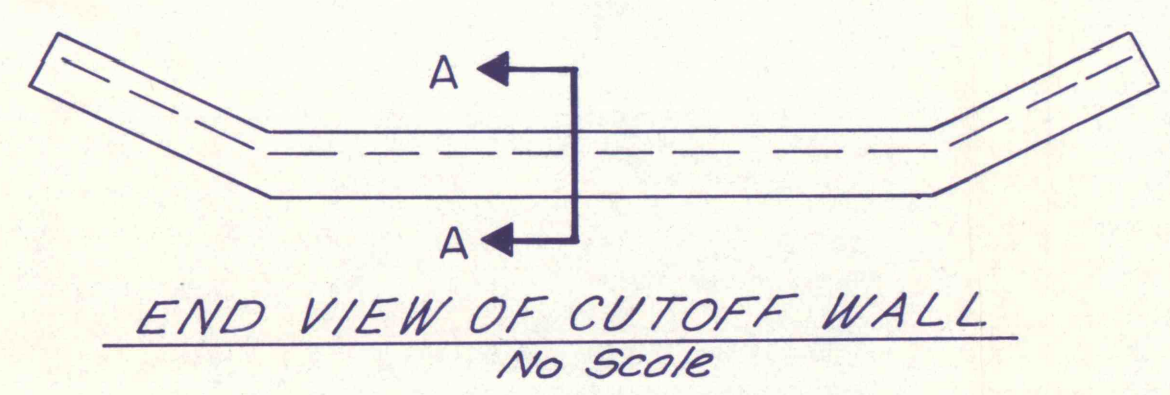


DETAIL OF ENERGY DISSIPATING UNIT  
Scale: 1" = 2'

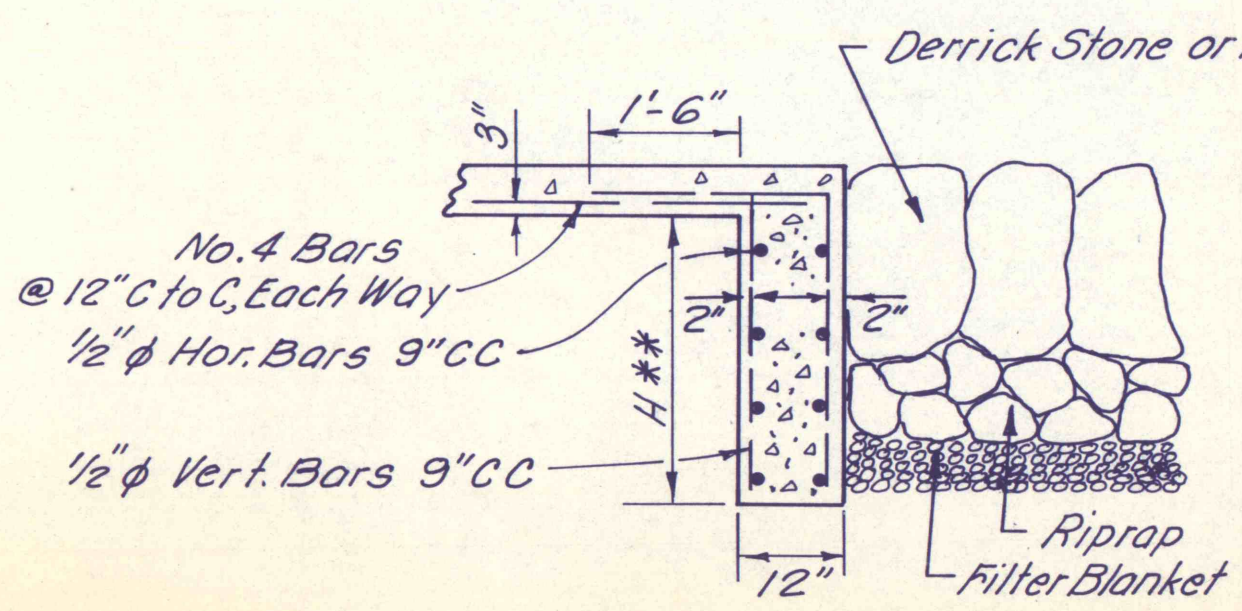


BENDING DETAIL

DETAIL Baffle Block for Energy Dissipating Unit  
No Scale

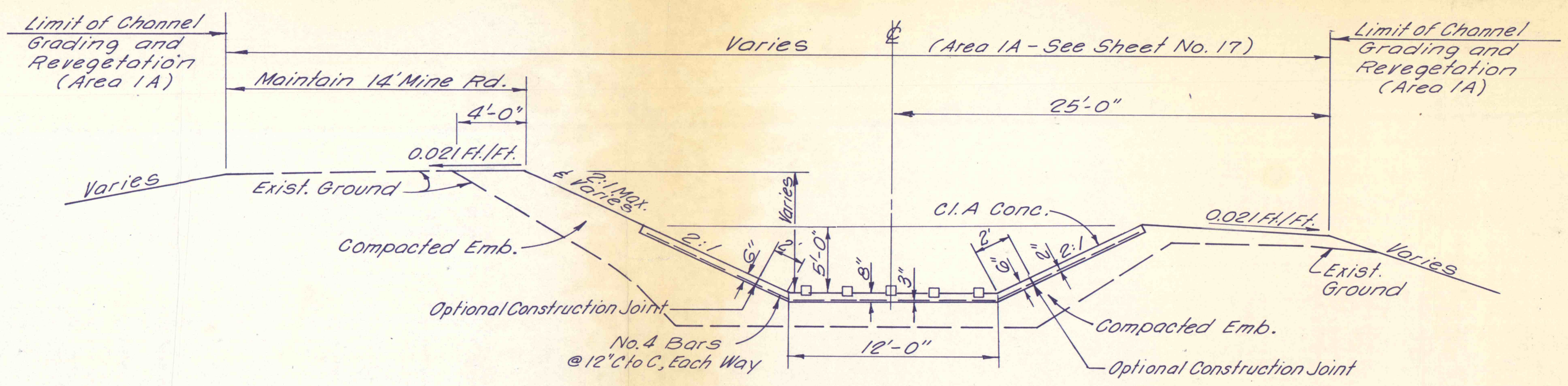


END VIEW OF CUTOFF WALL  
No Scale

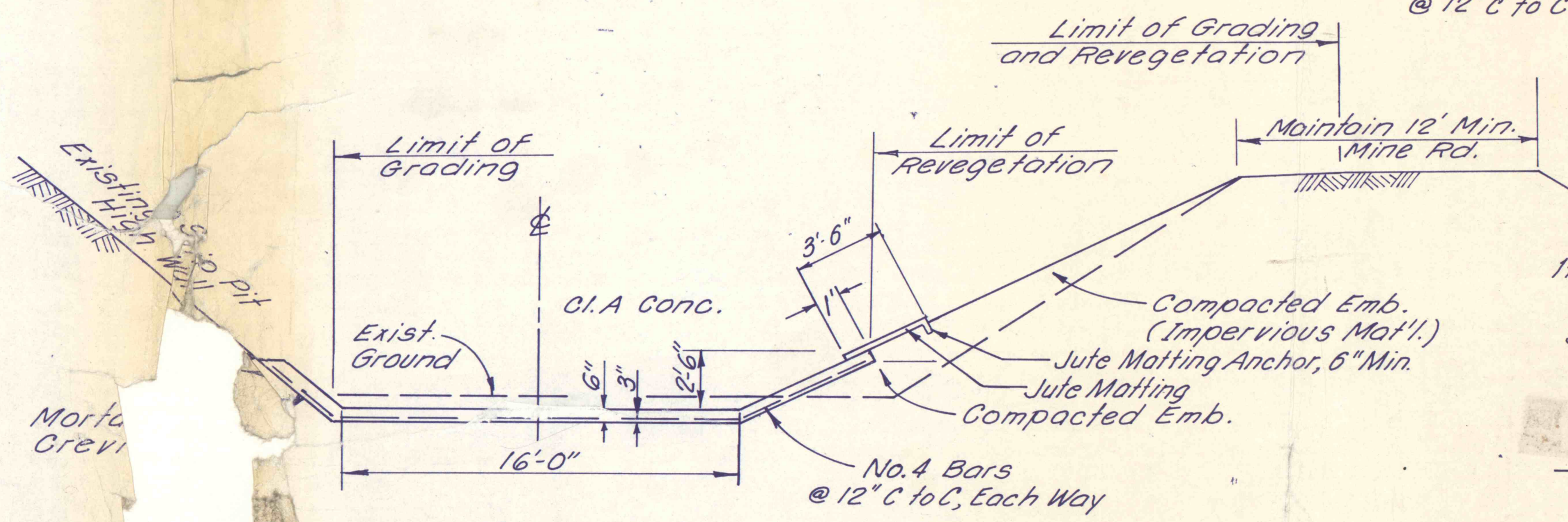


SECTION A-A

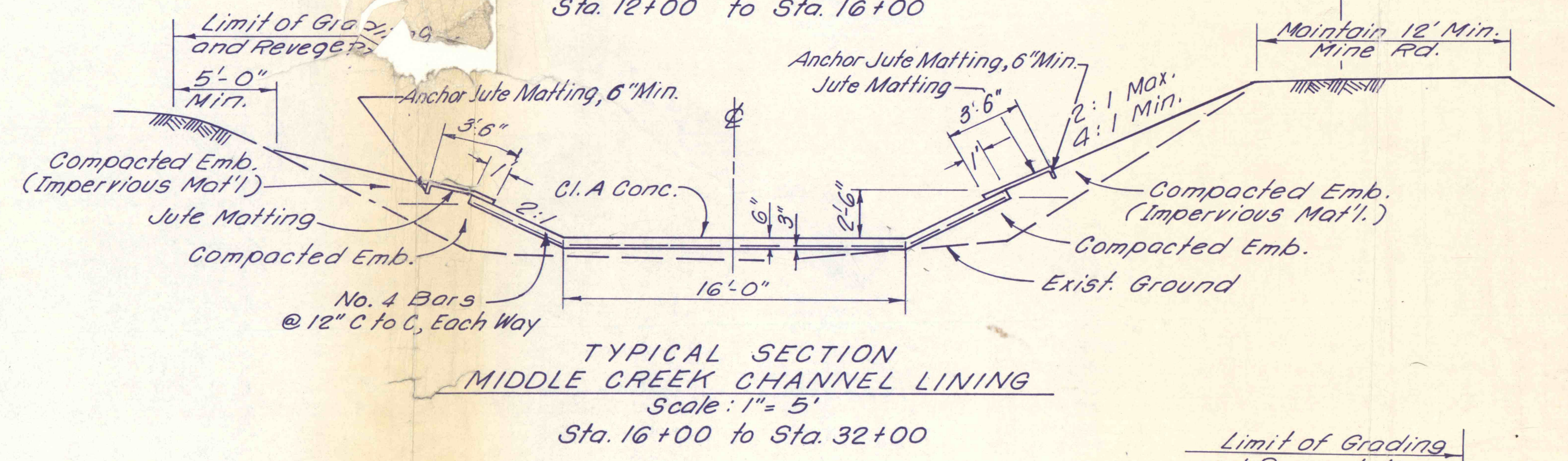
NOTE:  
Cutoff wall to be provided at upstream and downstream ends of Upper Middle Creek and Middle Creek Channel Linings.  
\* Derrick Stone shall be provided at the Downstream End of Channel Linings Only.  
\*\* H = 2'-0" Upstream Cutoff Wall.  
H = 3'-0" Downstream Cutoff Wall.



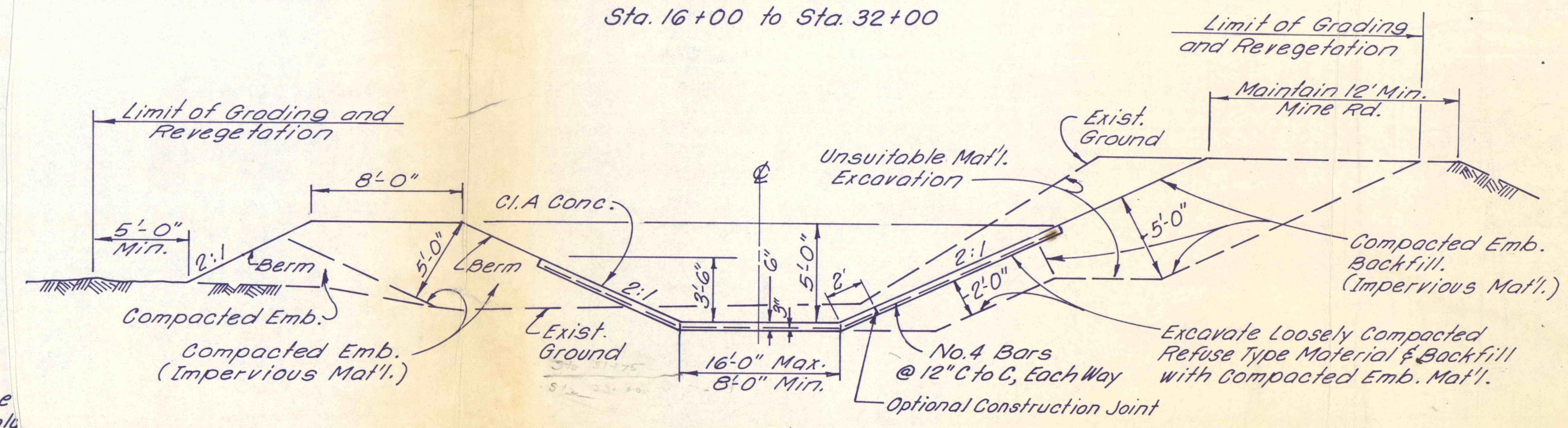
TYPICAL SECTION UPPER MIDDLE CREEK CHANNEL LINING  
Scale: 1" = 5'



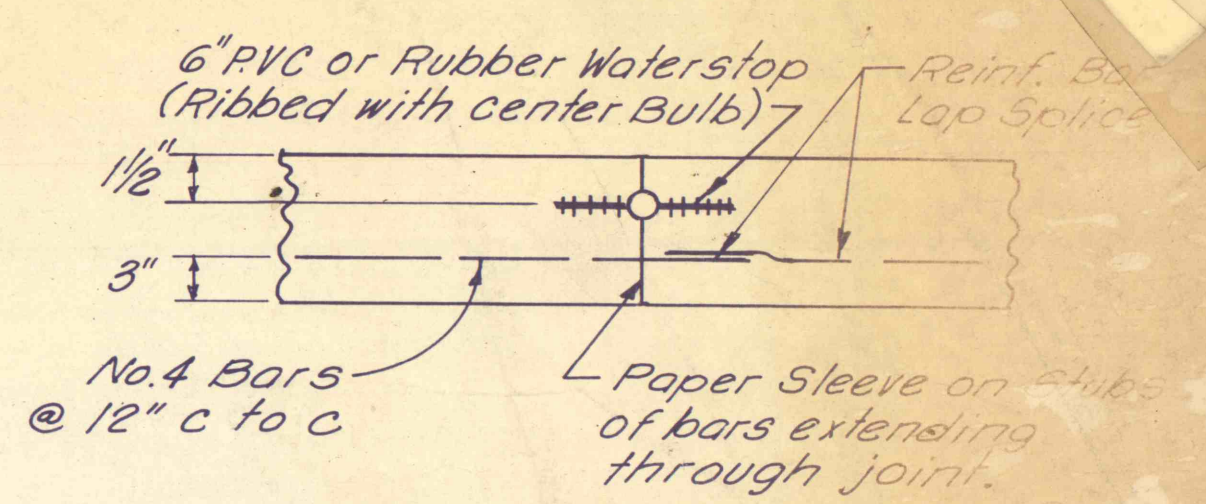
TYPICAL SECTION MIDDLE CREEK CHANNEL LINING  
Scale: 1" = 5'  
Sta. 12+00 to Sta. 16+00



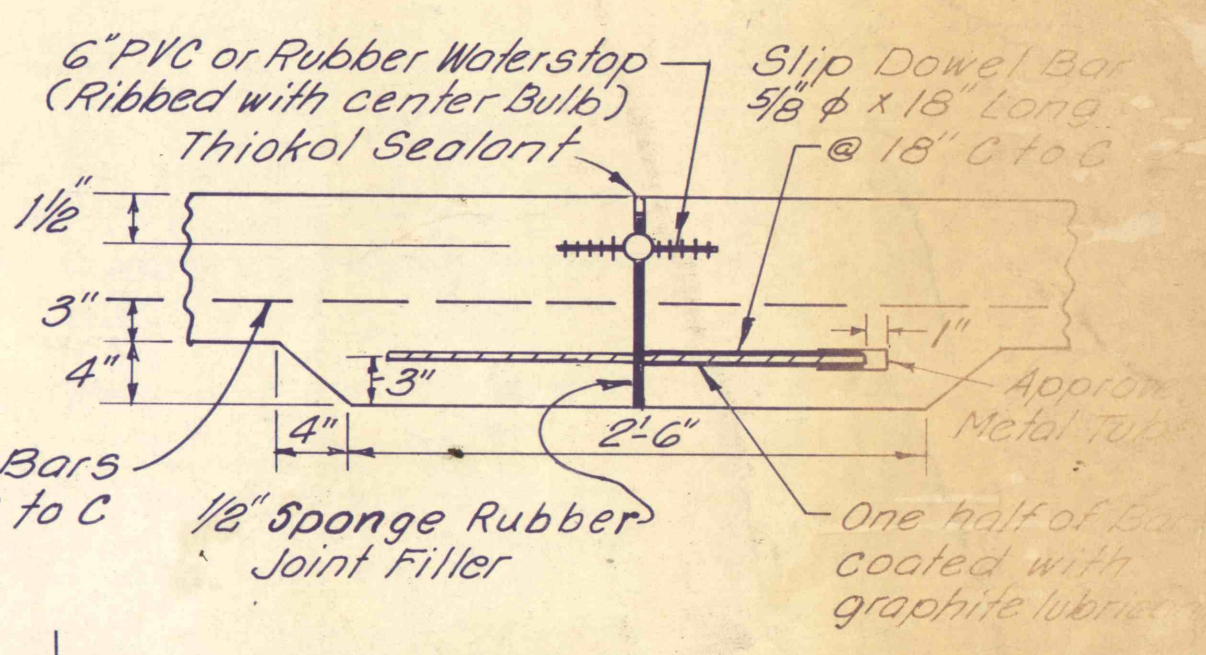
TYPICAL SECTION MIDDLE CREEK CHANNEL LINING  
Scale: 1" = 5'  
Sta. 16+00 to Sta. 32+00



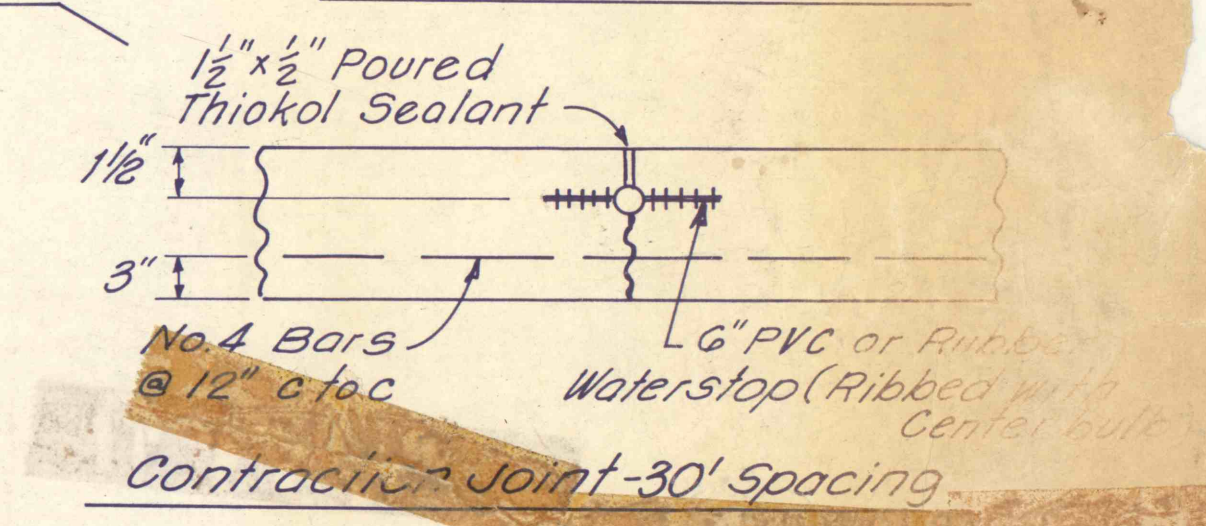
TYPICAL SECTION MIDDLE CREEK CHANNEL LINING  
Scale: 1" = 5'  
Sta. 32+00 to Sta. 35+50



Construction Joint - as required



Expansion Joint 90' Spacing



Contraction Joint - 30' Spacing

JOINT DETAILS  
No Scale

NO.	DATE	REVISION

SUBMITTED  
Norman E. Muto  
PROFESSIONAL

APPROVED  
Albert C. P...  
CHIEF - DIVISION OF MINE DRAINAGE REHA...

APPROVED  
Dr. Peneg...  
DIRECTOR - BUREAU OF CONSULTING GEOL...

COMMONWEALTH OF PENNSYLVANIA  
DEPARTMENT OF ENVIRONMENTAL RESOURCES  
OFFICE OF ENGINEERING AND CONSTRUCTION

PROJECT NO. SL-126-2-7

MINE DRAINAGE  
POLLUTION ABATEMENT  
SWATARA CREEK WATERSHED  
SCHUYLKILL COUNTY

BERGER ASSOCIATES, INC.  
Consulting Engineers

P.O. Box 1943 Harrisburg, PA 17105

TYPICAL SECTIONS  
UPPER MIDDLE CREEK  
AND MIDDLE CREEK

DRAWN BY  
J. S.

CHECKED BY  
M. W.

DATE  
APR. 17, 1973

SCALE  
AS SHOWN