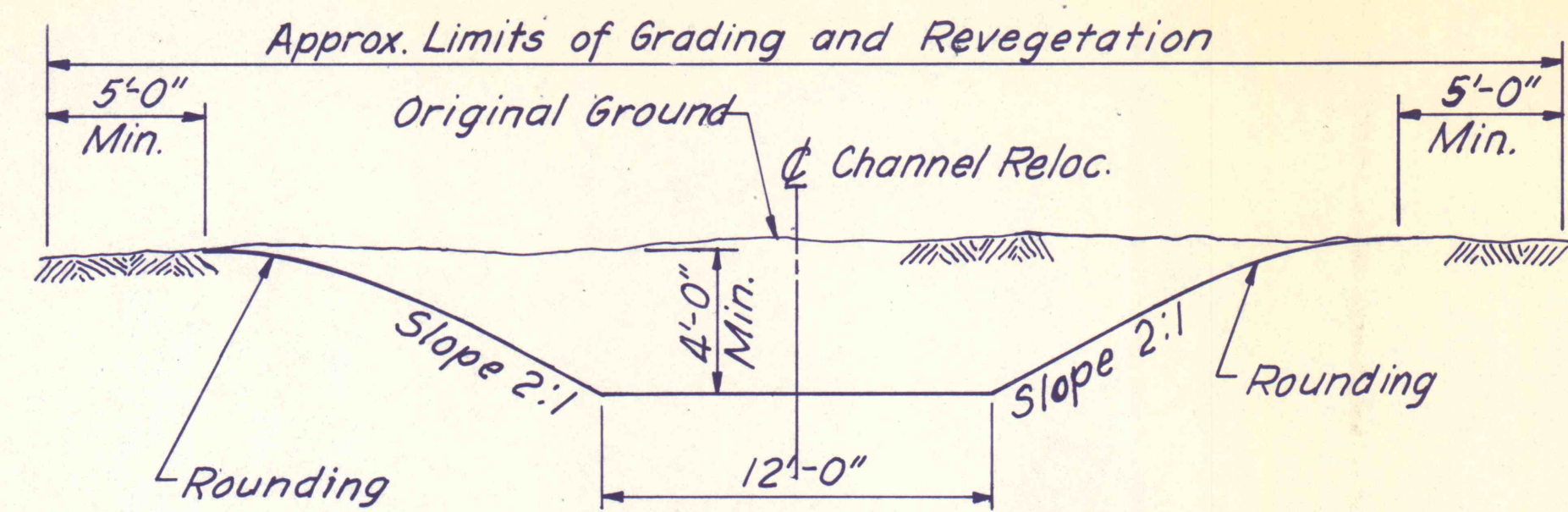


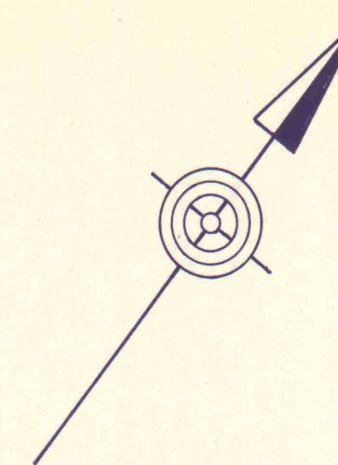
**TYPICAL SECTION**  
Scale: 1"=5'

Sta. 0+00 to Sta. 2+00 (Lower Gebhard Run Relocation)  
Sta. 4+00 to Sta. 6+09 (Lower Gebhard Run Relocation)  
Sta. 41+00 to Sta. 43+00 (Gebhard Run Relocation)

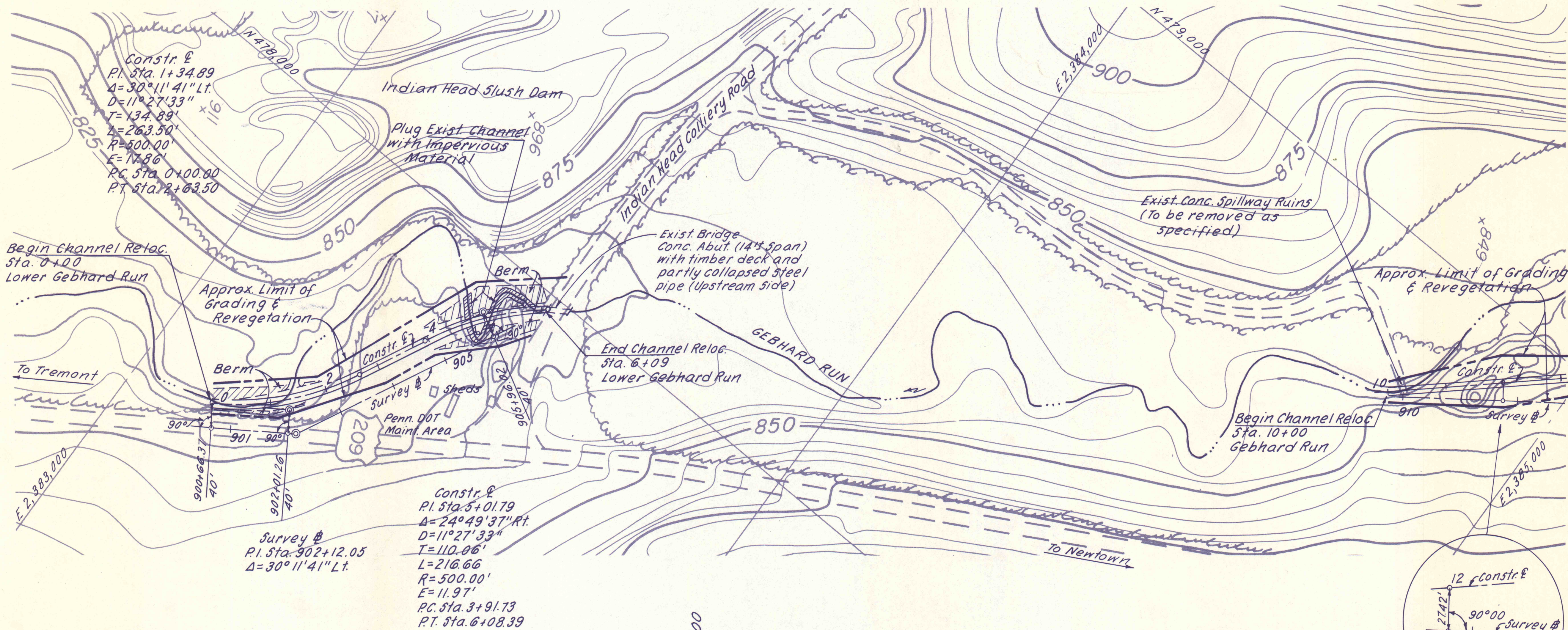


**TYPICAL SECTION**  
Scale: 1"=5'

Sta. 2+00 to Sta. 4+00 (Lower Gebhard Run Relocation)  
Sta. 10+00 to Sta. 41+00 (Gebhard Run Relocation)  
Sta. 43+00 to Sta. 44+00 (Gebhard Run Relocation)

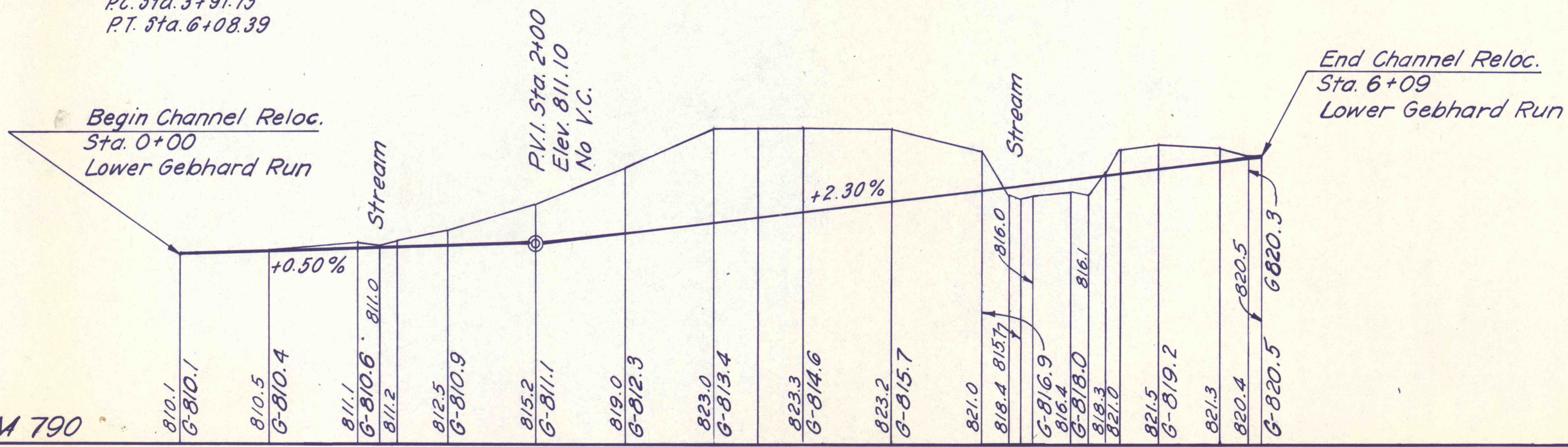
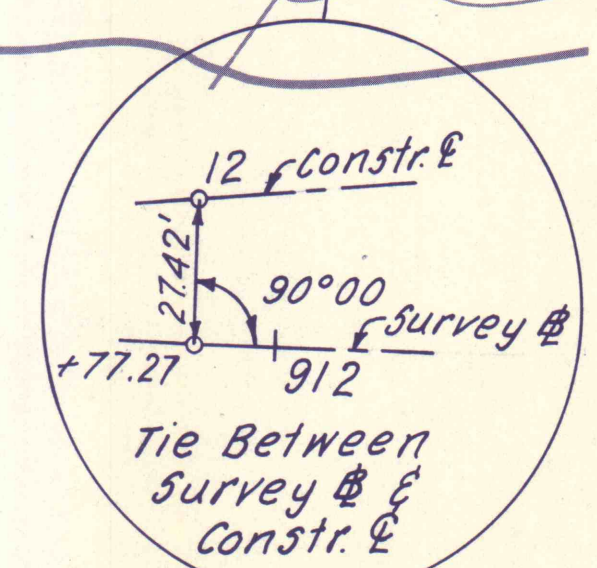


B.M. #18 Elev. 824.97  
Drill Hole in N.W. Wingwall of  
Bridge Abutment on Indian  
Head Colliery Road  
Sta. 907+02



Survey #  
P.I. Sta. 902+12.05  
 $\Delta = 30^\circ 11' 41''$  Lt.

Constr. #  
P.I. Sta. 5+01.79  
 $\Delta = 24^\circ 49' 37''$  Rt.  
 $D = 11^\circ 27' 33''$   
 $T = 110.06'$   
 $L = 216.66'$   
 $R = 500.00'$   
 $E = 11.97'$   
P.C. Sta. 3+91.73  
P.T. Sta. 6+08.39



DATUM 790

PROFILE - LOWER GEBHARD RUN RELOC.

Scale: Horiz. 1"=50'  
Vert. 1"=10'

SEE SHEET NO. 19

NO	DATE	REVISION	APPR.

SUBMITTED: *Norman E. Mutchler*  
PROFESSIONAL

APPROVED: *Albert A. Roman*  
CHIEF - DIVISION OF MINE DRAINAGE REHABILITATION

APPROVED: *Lu Penzo*  
DIRECTOR - BUREAU OF CONSULTING SERVICES

COMMONWEALTH OF PENNSYLVANIA  
DEPARTMENT OF ENVIRONMENTAL RESOURCES  
OFFICE OF ENGINEERING AND CONSTRUCTION

PROJECT NO. SL-126-2-7

MINE DRAINAGE  
POLLUTION ABATEMENT  
SWATARA CREEK WATERSHED  
SCHUYLKILL COUNTY

BERGER ASSOCIATES, INC.  
Consulting Engineers  
P.O. Box 1943 Harrisburg, Penna.

PLAN AND PROFILE  
LOWER GEBHARD RUN RELOC.

DRAWN BY: W. G. DATE: APR. 17, 1973 DRAWING NO. 18 of 43  
CHECKED BY: T. T. SCALE: 1" = 100'

