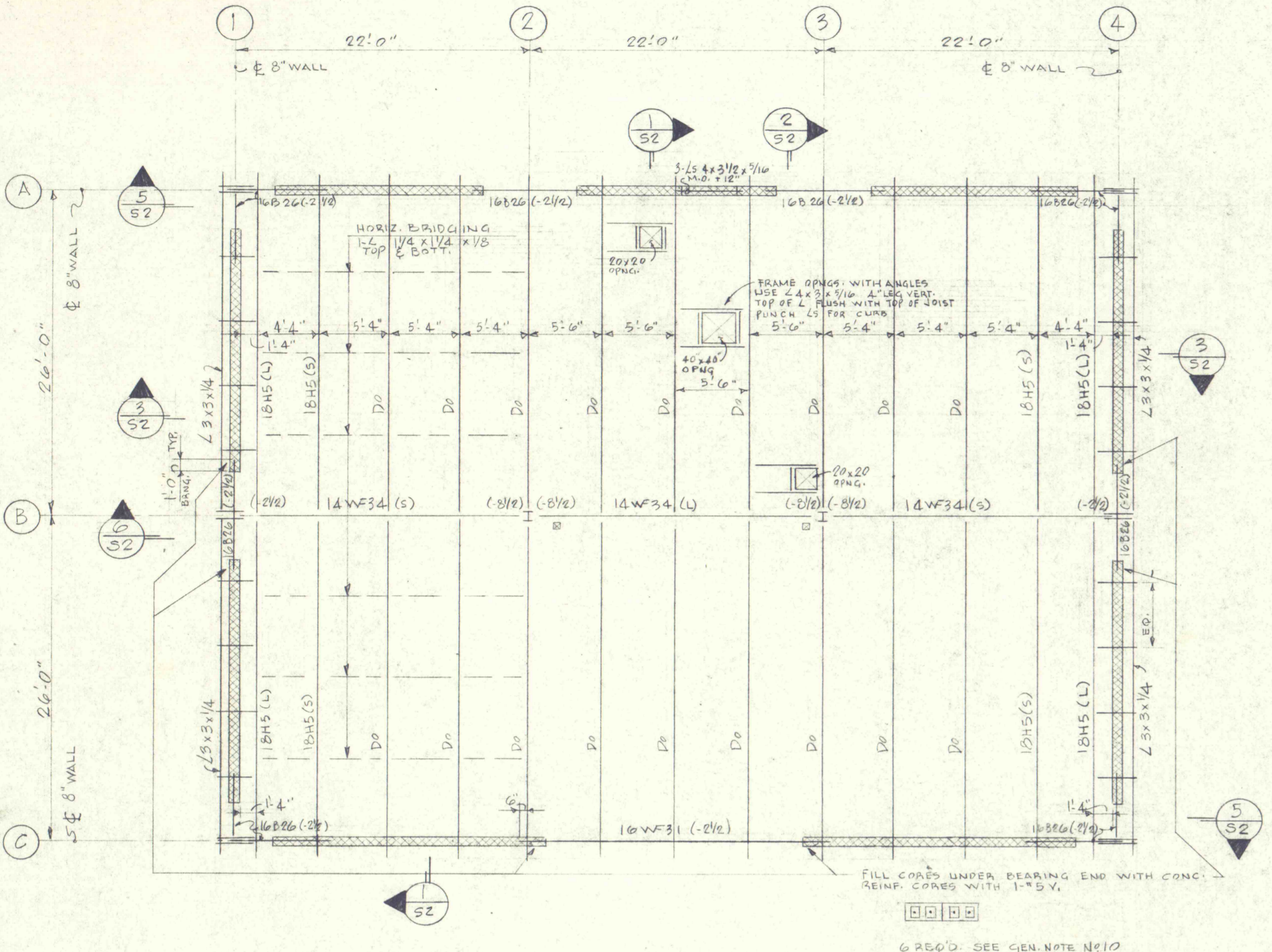
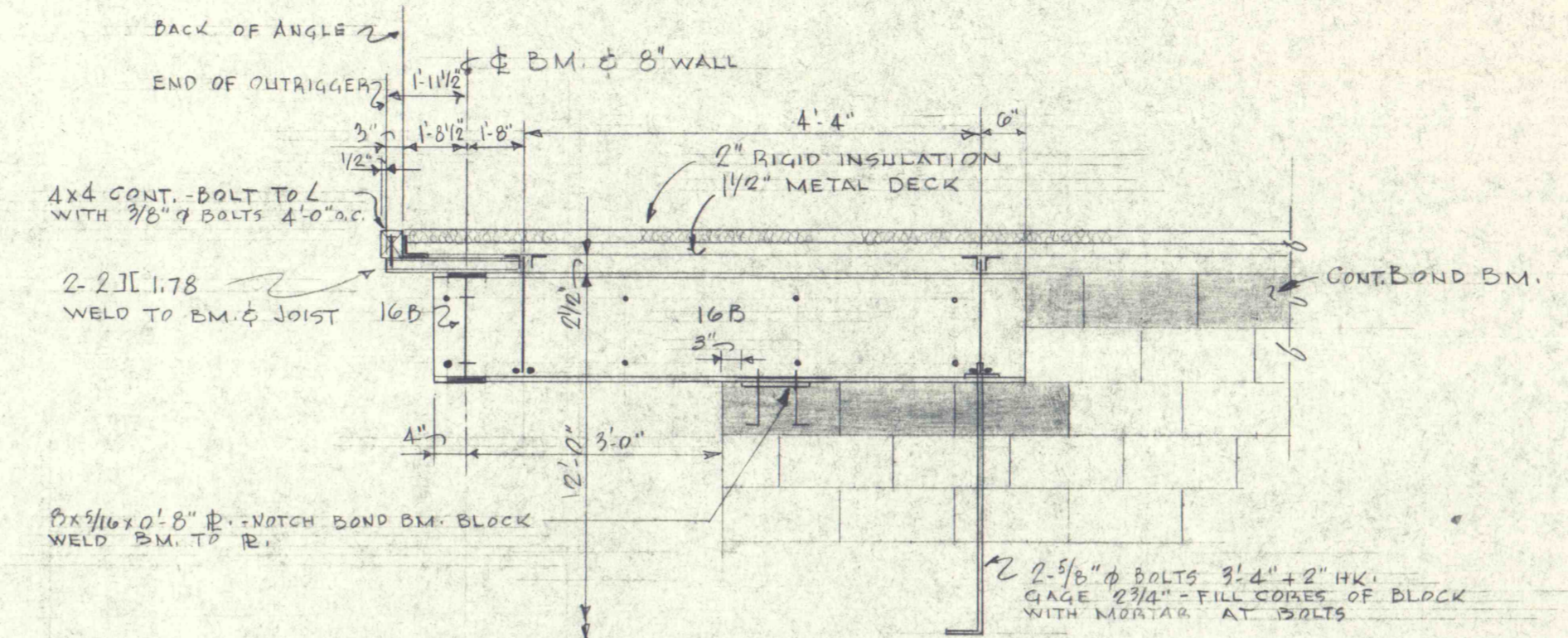


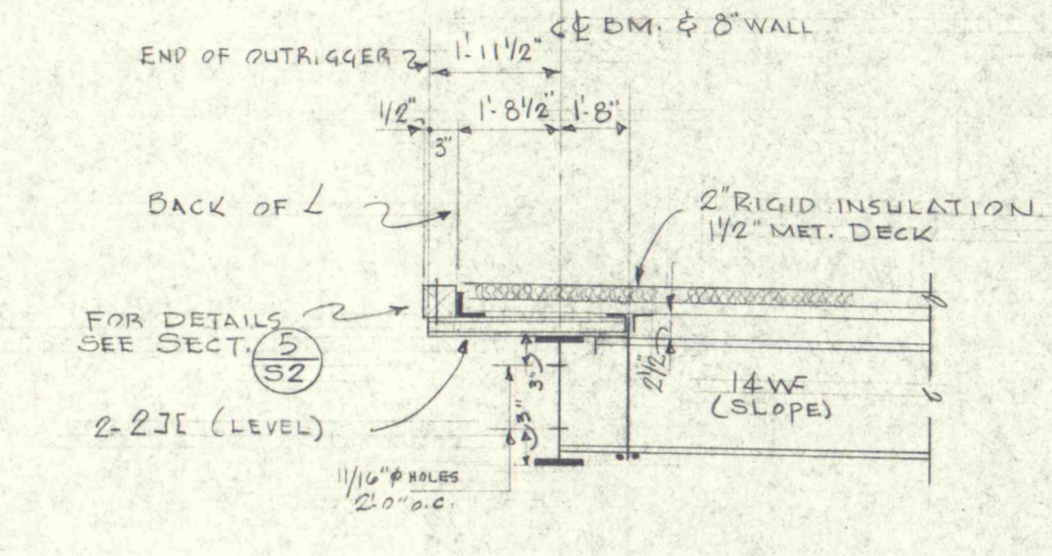
SYM.	ITEM	DESCRIPTION	DWG. & ITEM NO. OR STYLE NO.	MATL. SPEC.	REQ. FOR 1 UNIT					
					GR	GR	GR	GR	GR	GR



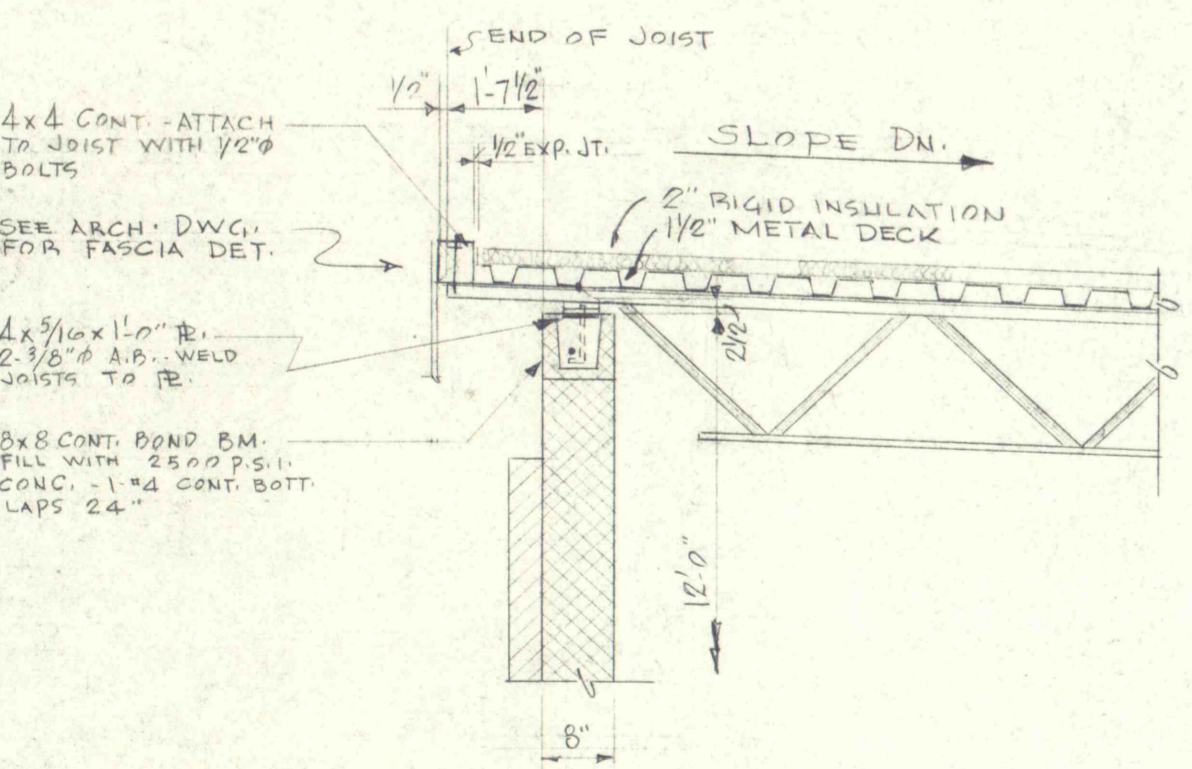
**ROOF FRAMING PLAN**  
 SCALE: 1/8"=1'-0"  
 LIVE LOAD = 40#/SQ'  
 ALL COLUMNS @ WF15.5  
 TOP OF JOISTS AT PERIMETER EL. 12'-2 1/2"  
 TOP OF STEEL FROM EL. 12'-2 1/2"  
 1/2" METAL DECK - 22 GAGE  
 (S) = SLOPE  
 (L) = LEVEL



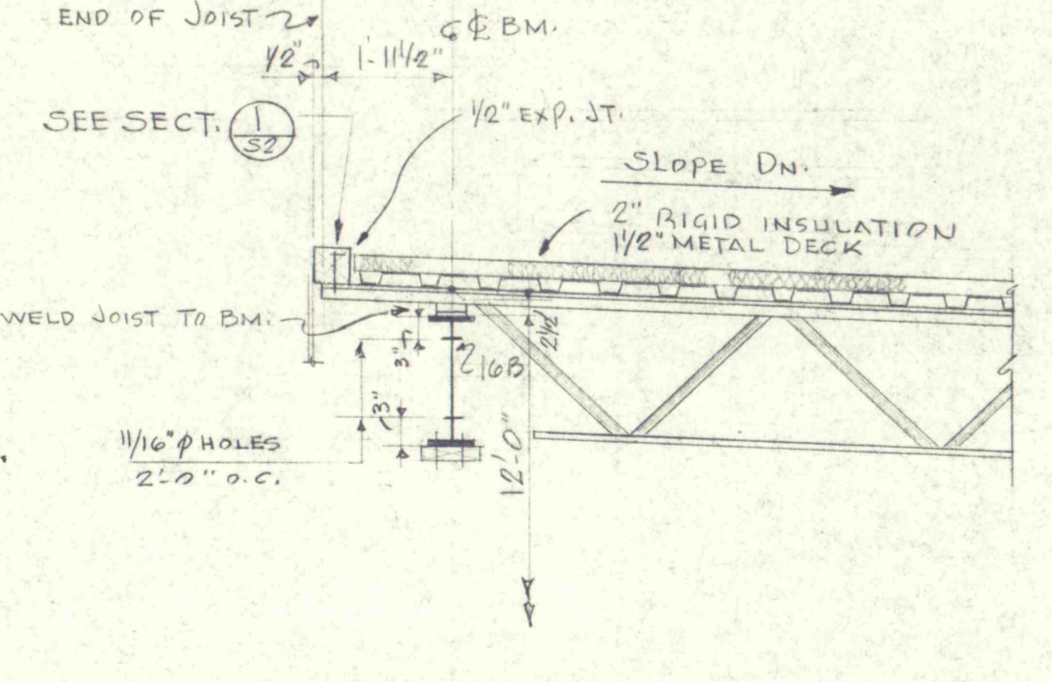
**SECTION 5**  
 SCALE: 1/2"=1'-0"



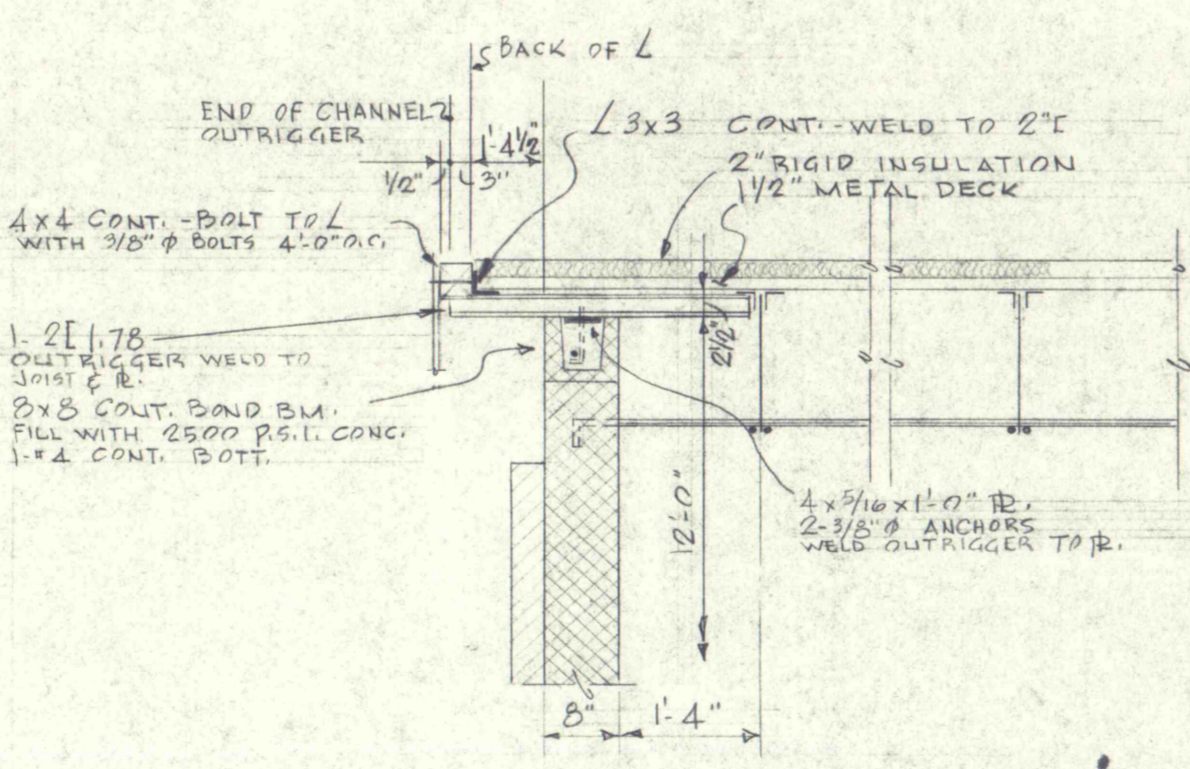
**SECTION 6**  
 SCALE: 1/2"=1'-0"



**SECTION 1**  
 SCALE: 1/2"=1'-0"



**SECTION 2**  
 SCALE: 1/2"=1'-0"  
 OVER WINDOWS

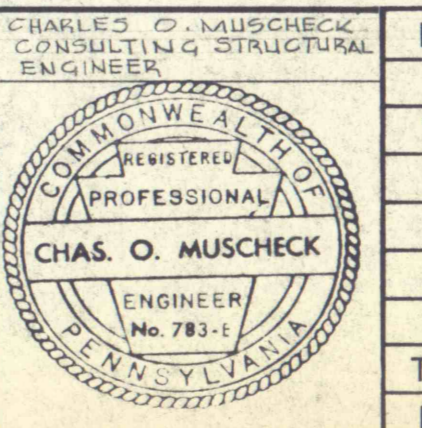
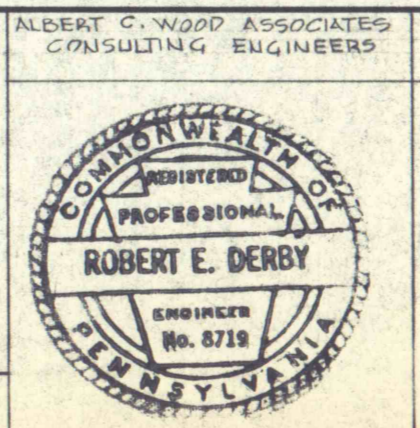


**SECTION 3**  
 SCALE: 1/2"=1'-0"

This document is the property of, and contains proprietary information owned by, the Heat Transfer Department of Westinghouse Electric Corporation and is made available to you under a confidential relationship and subject to the following understanding, conditions and restrictions: no permission is granted to publish, use, reproduce, transmit or disclose to another this document or any information contained therein without the express written permission of said department in advance.

SO. 19A-9569

ITEM	CHANGE
1	



DEPT	AP	PR
U-1		
W-12		
MIE		
TOTAL		
DATE		

ISSUE DATE DEC. 2, 1970  
 ENGINEER REF. DWG.

**Westinghouse Electric Corporation**

APPARATUS AND DEMINERALIZATION PLANT

TITLE ADMINISTRATION BUILDING SCALE AS NOTED

ROOF FRAMING PLAN & SECTIONS SHEET NO. 52 OF 2 SHEETS

DFTM	R.S.S.	DESIGN APP	D. Pincaglia	MFG APP
CHKD	C.O.M.	MECH ENG		
L.O. DFTM				

604000652

STEAM DIVISION, LESTER, PA. U.S.A. H.T.D. 01 DEPT