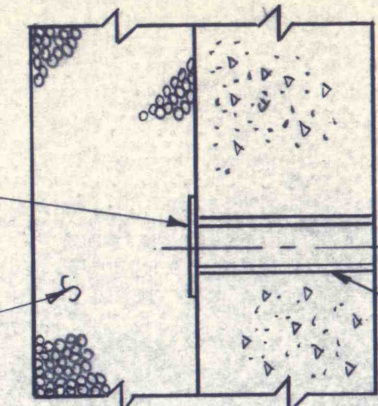


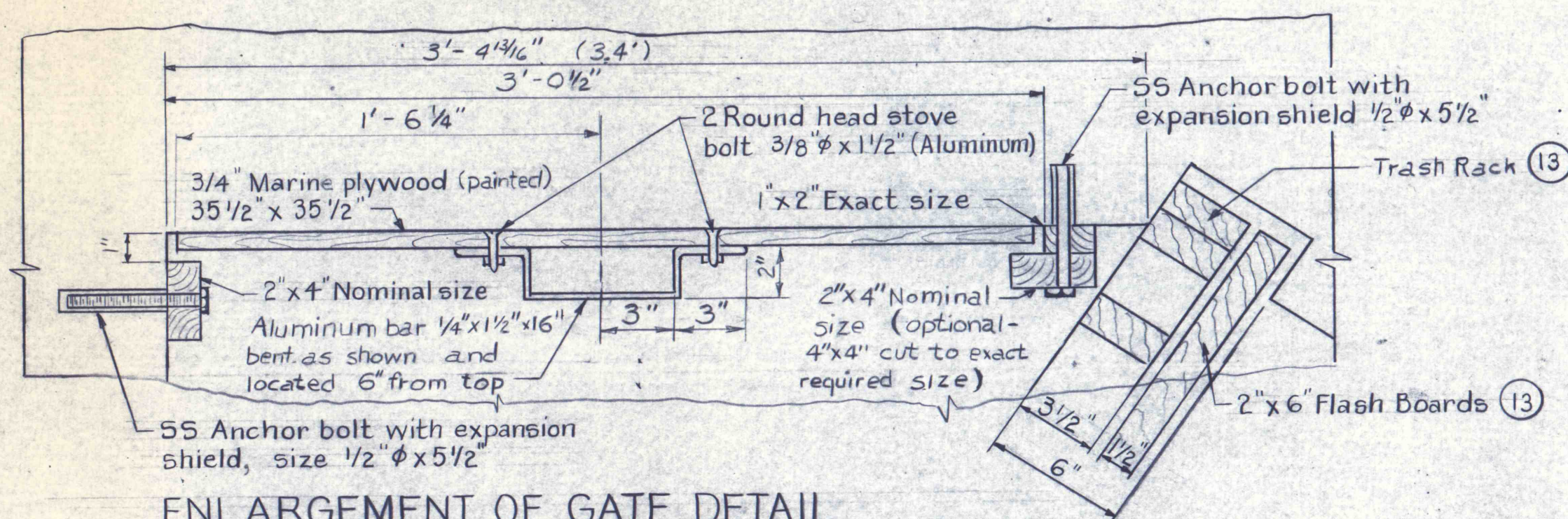
Copper screen-4 or 5 meshes per lineal inch 0.04" to 0.07  $\phi$  wire attached to concrete with galvanized masonry nail.



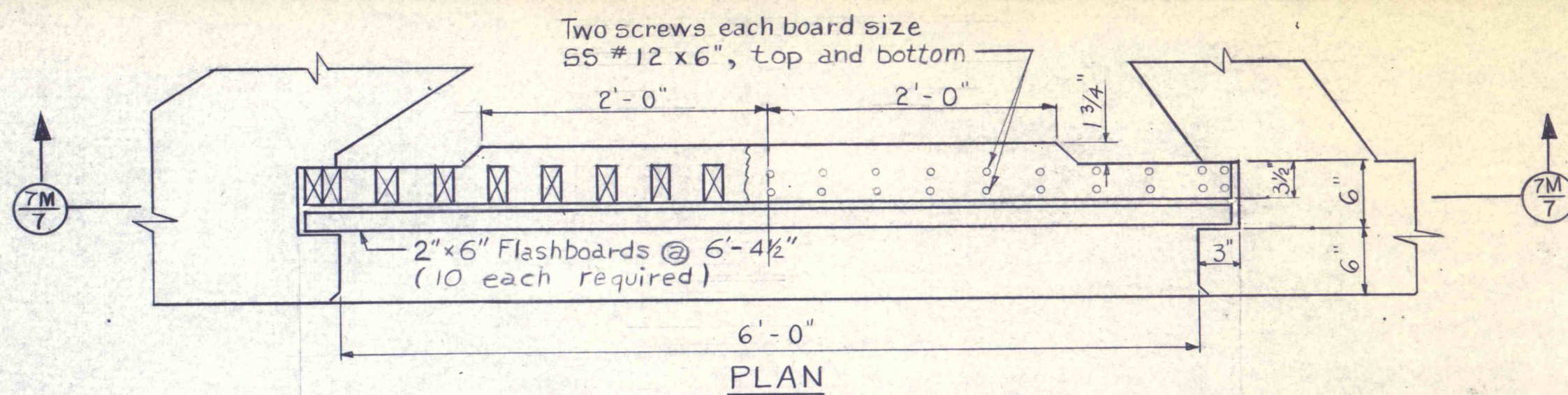
WEEP HOLE  
No scale

Note: Gravel drains shall be placed behind all concrete walls as shown below and on Dwg. No. 8 of 8. Height of gravel drain to be within 1 ft. of top of wall or to the base of the filter blanket in riprap. Gravel drain not required under concrete slab.

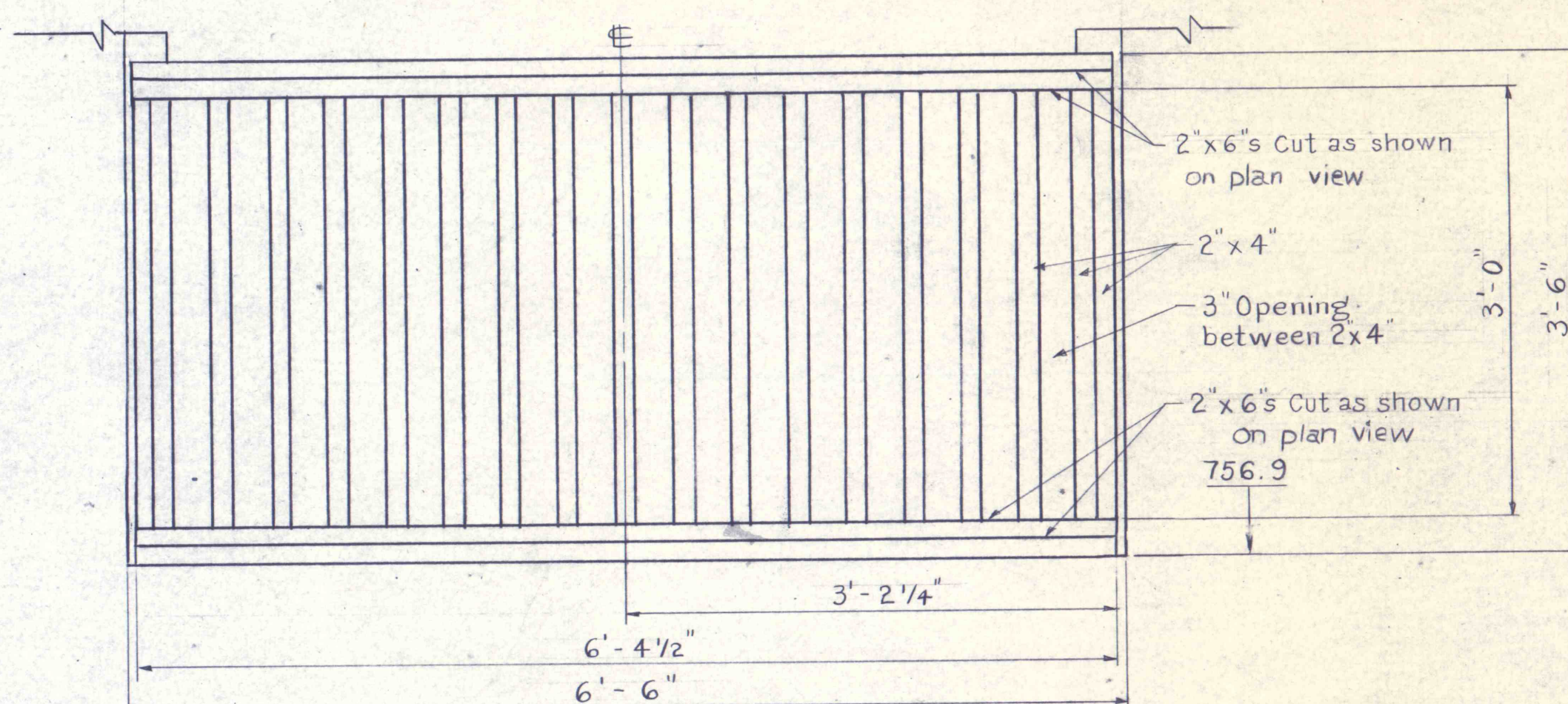
4 Gravel Drain  
4"  $\phi$  Asbestos Cement or P.V.C. Pipe 9



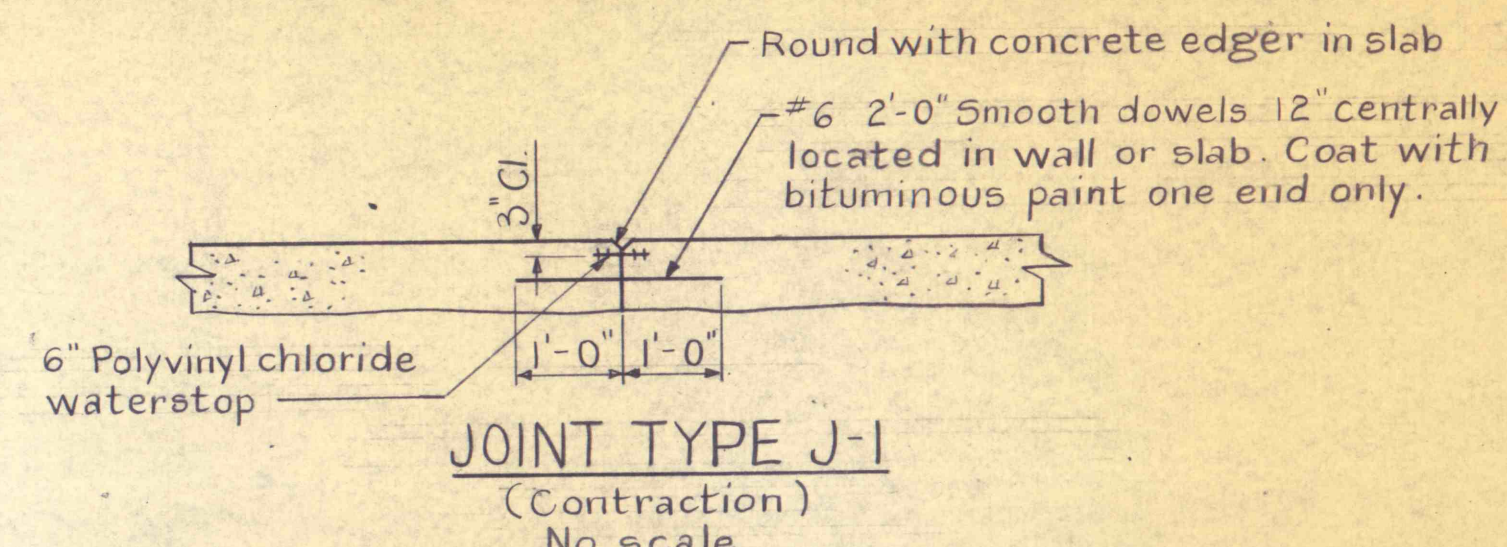
ENLARGEMENT OF GATE DETAIL  
Scale: 1 in. = 6 in.



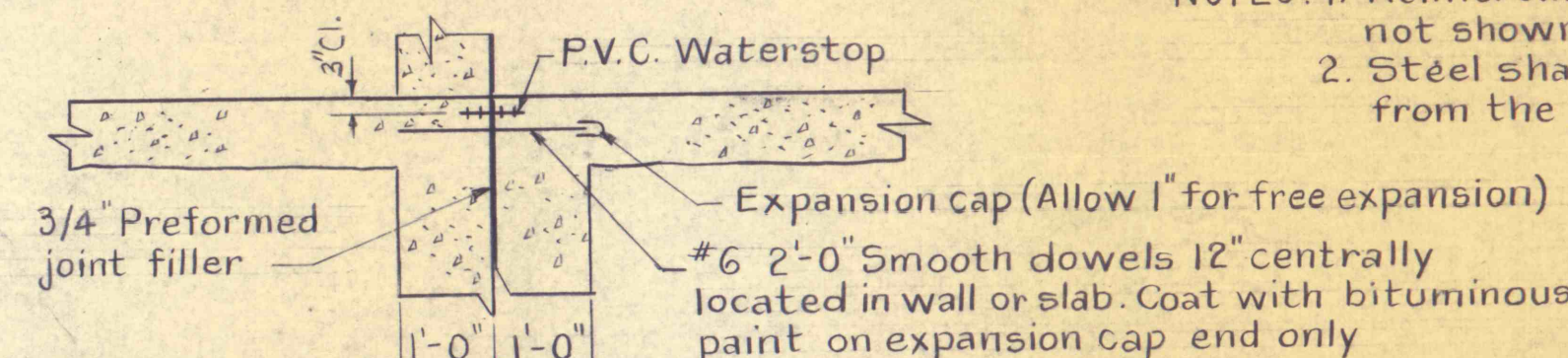
PLAN



SECTION 7M  
TRASH RACK AND FLASH BOARDS 13  
Scale: 1 in. = 1 ft.

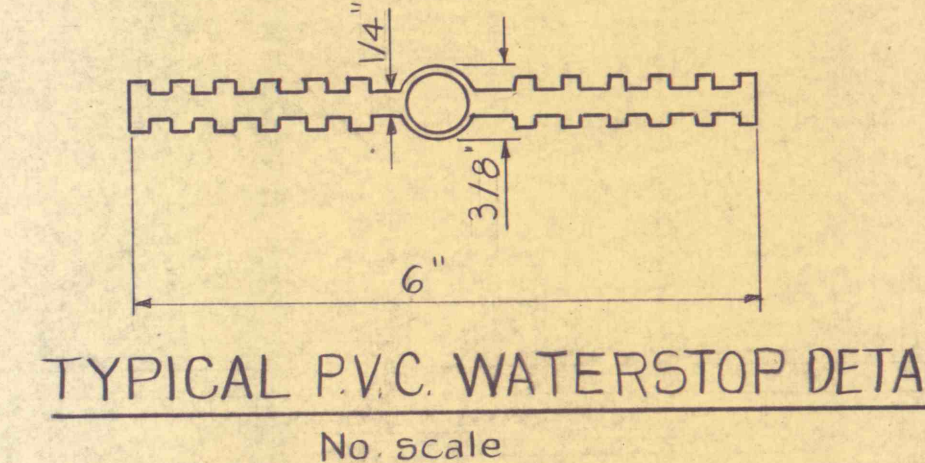


JOINT TYPE J-1  
(Contraction)  
No scale

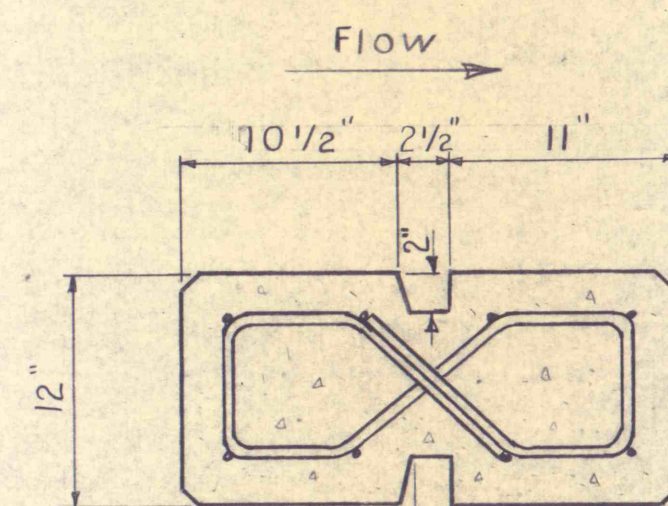


JOINT TYPE J-2  
(Expansion)  
No scale

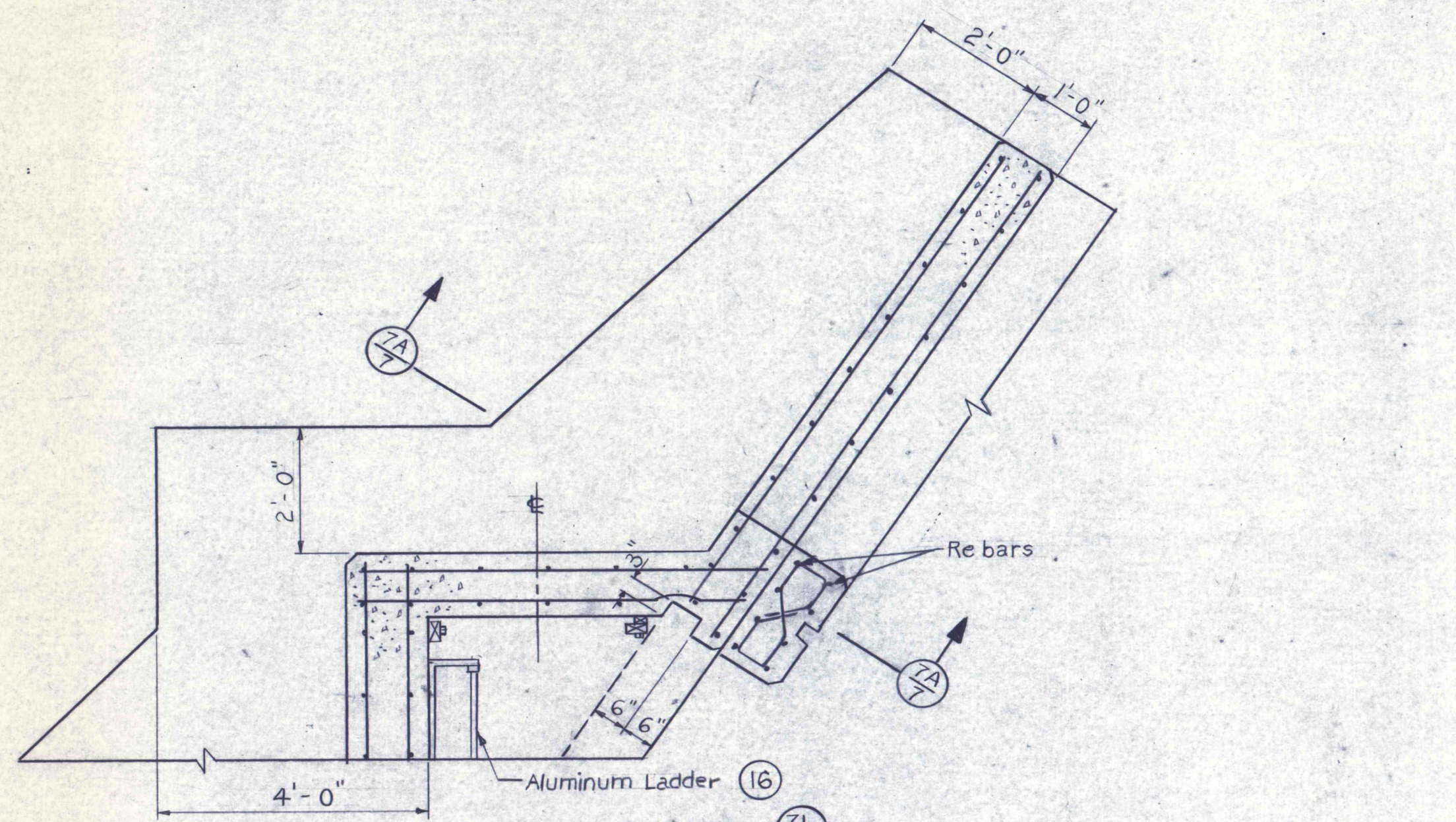
NOTES: 1. Reinforcing steel is not shown.  
2. Steel shall end 2" from the joints.



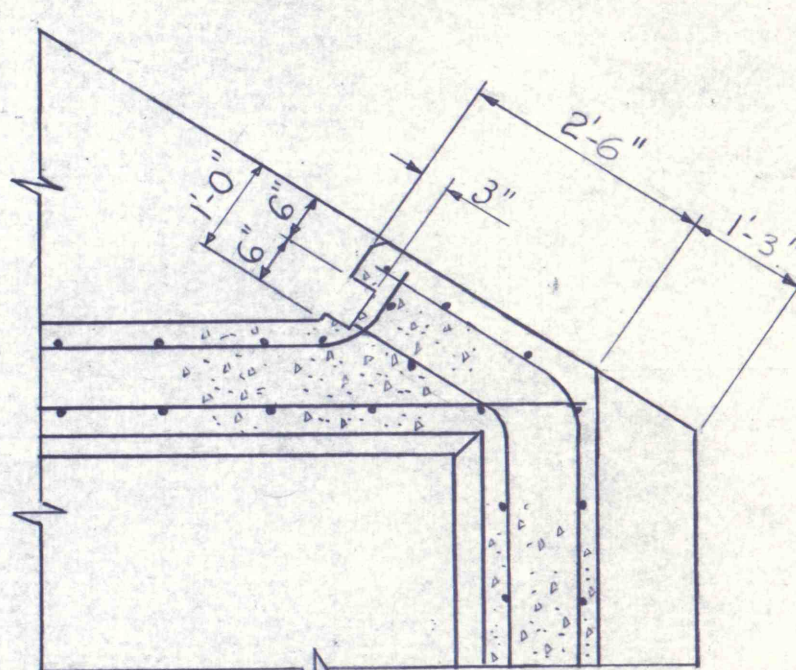
TYPICAL PVC WATERSTOP DETAIL  
No scale



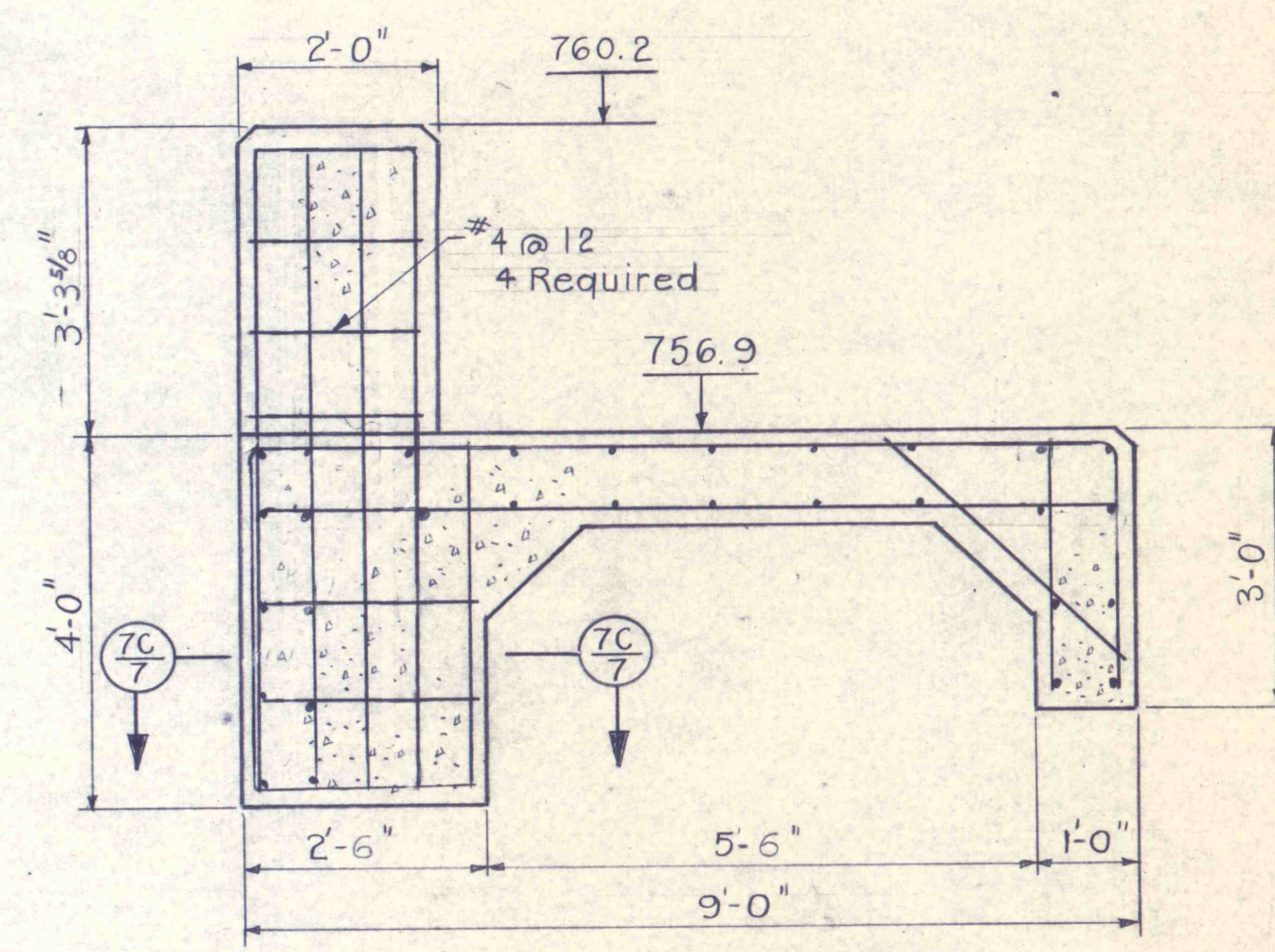
SLOT DETAILS IN PIERS  
No scale



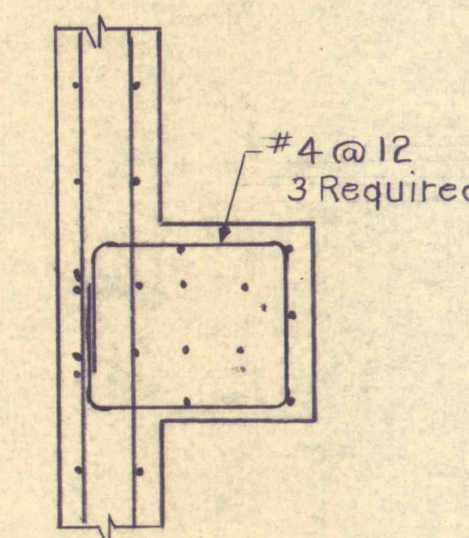
SECTION 7L  
Scale: 1/2 in. = 1 ft.



SECTION 7B  
Scale: 1 in. = 2.0 ft.



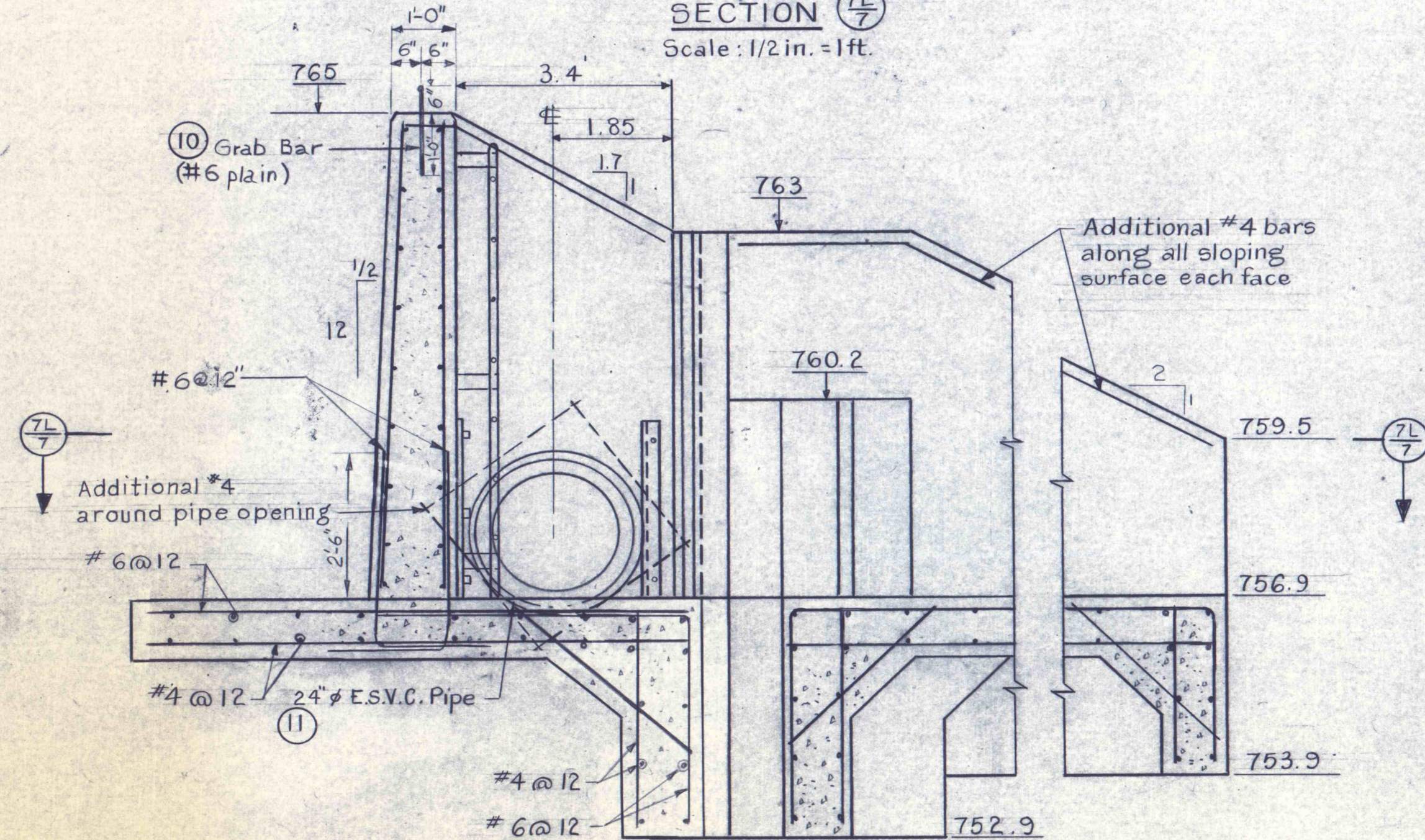
SECTION 6D  
Scale: 1 in. = 2.0 ft.



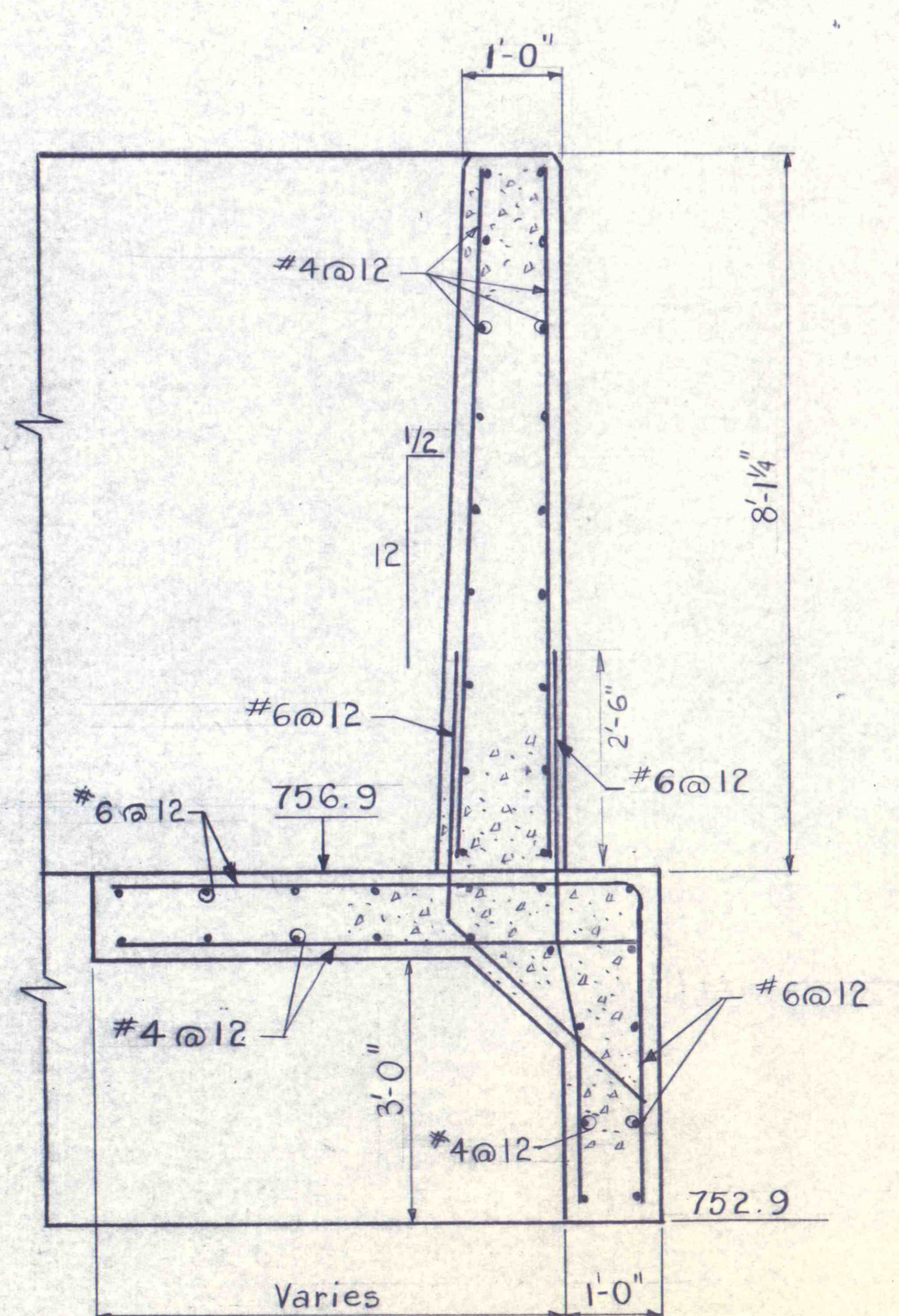
SECTION 7C  
Scale: 1 in. = 2.0 ft.

NOTES:

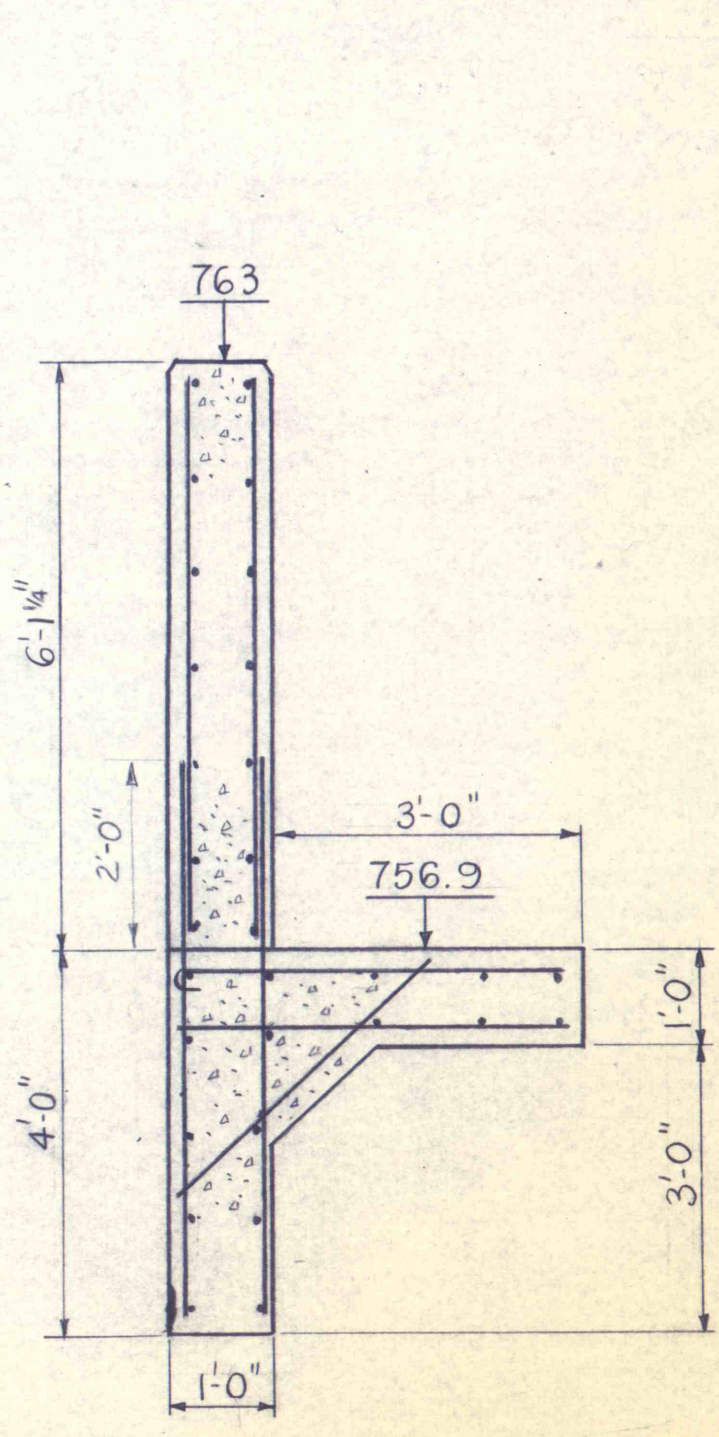
- No. 4 reinforcing bars are to be placed at 12" c.c in both directions, unless indicated otherwise on the drawing.
- For vertical walls with expansion joint J-2 or contraction joint J-1 above the slab, dowels are not required.



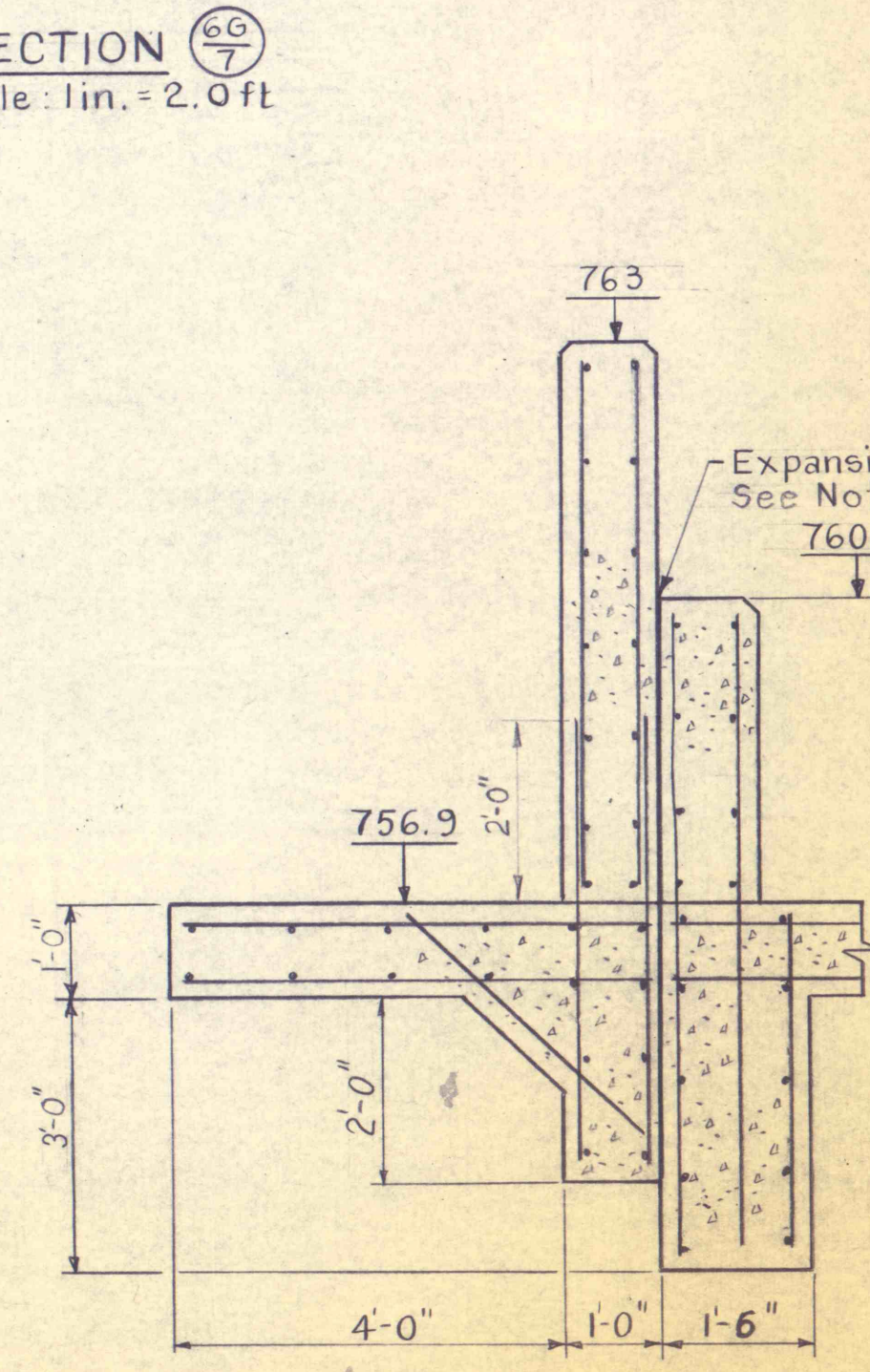
SECTION 6E  
Scale: 1 in. = 2.0 ft.



SECTION 6F  
Scale: 1 in. = 2.0 ft.



SECTION 6H  
Scale: 1 in. = 2.0 ft.



SECTION 7A  
Scale: 1 in. = 2.0 ft.

Note: See ladder detail, Dwg. No. 5

NO.	DATE	REVISION	APPR.

SUBMITTED *Robert S. Watts, Jr.*  
PROJECT CO-ORDINATOR  
APPROVED *Robert A. Roman*  
CHIEF-DIVISION OF ACID MINE DRAINAGE ABATEMENT  
APPROVED *Salvatore*  
DIRECTOR - BUREAU OF WATER PROJECTS



COMMONWEALTH OF PENNSYLVANIA  
DEPARTMENT OF ENVIRONMENTAL RESOURCES  
OFFICE OF RESOURCES MANAGEMENT

CONTRACT NO. SL 112-16-101.1

MINE DRAINAGE POLLUTION ABATEMENT  
DEBRIS BASIN ENLARGEMENT  
AND DIVERSION FACILITIES  
RAUSCH CREEK TREATMENT PLANT  
SCHUYLKILL CO. PENNSYLVANIA

DIVERSION STRUCTURE  
DETAILS

DRAWN BY *ALB* DATE  DRAWING NO. **7 of 8**  
CHECKED BY *R.C.B.* SCALE *As shown*