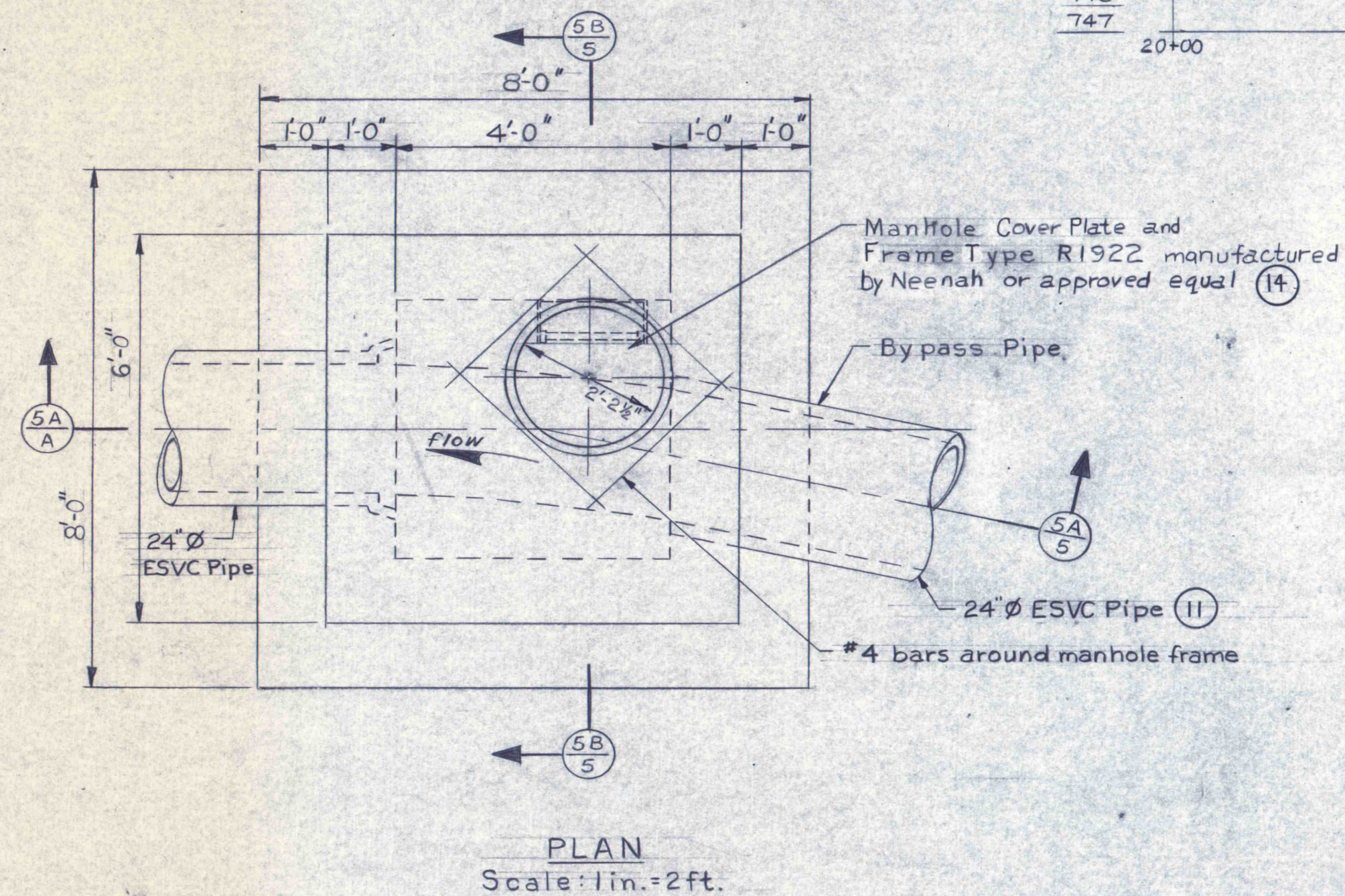
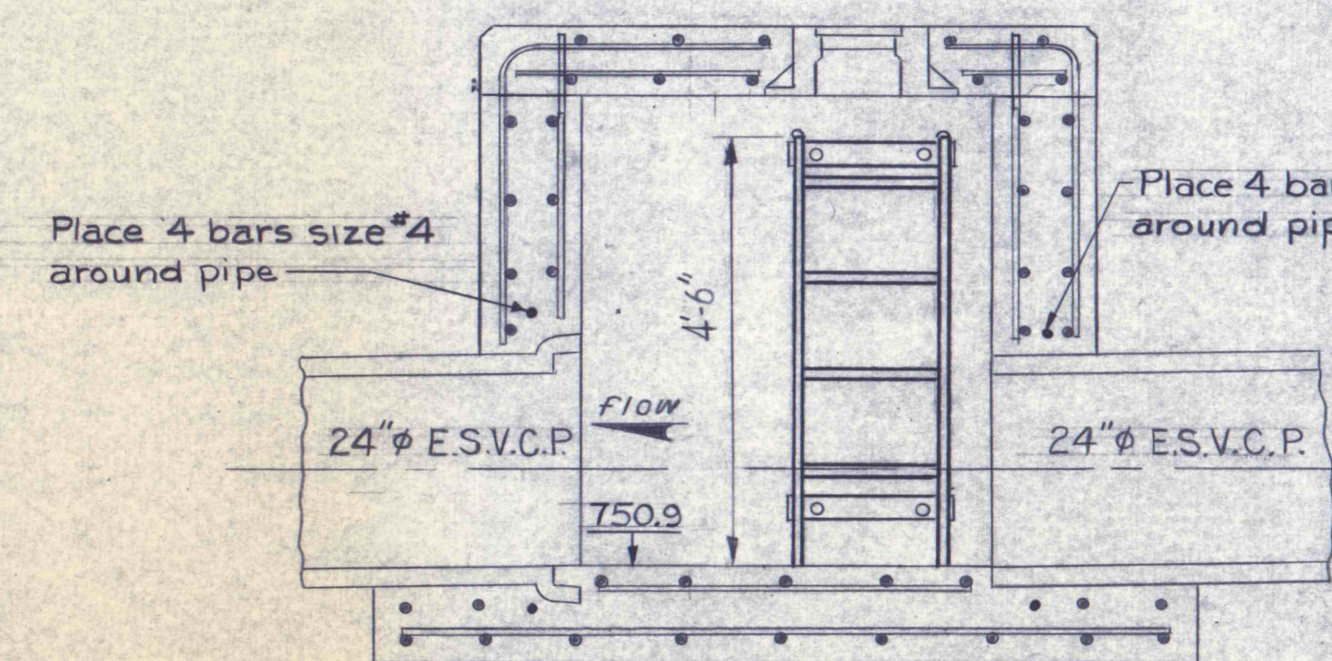


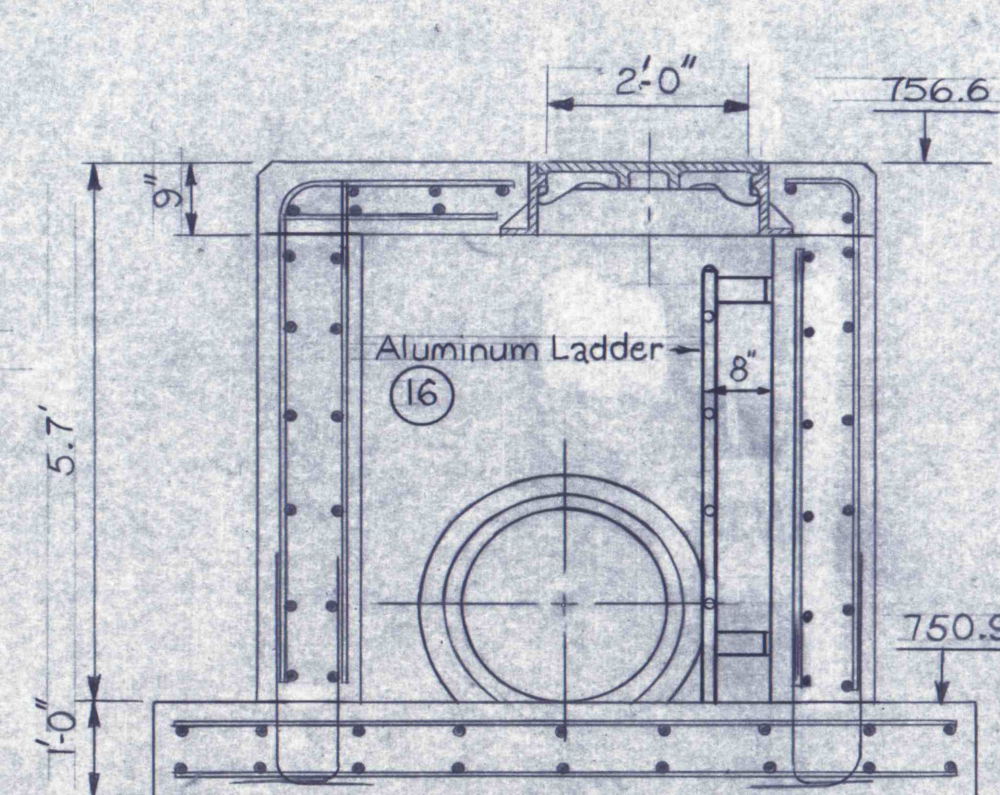
ALUMINUM LADDER DETAILS (16)
Scale: 1 in. = 1 ft.



PLAN
Scale: 1 in. = 2 ft.



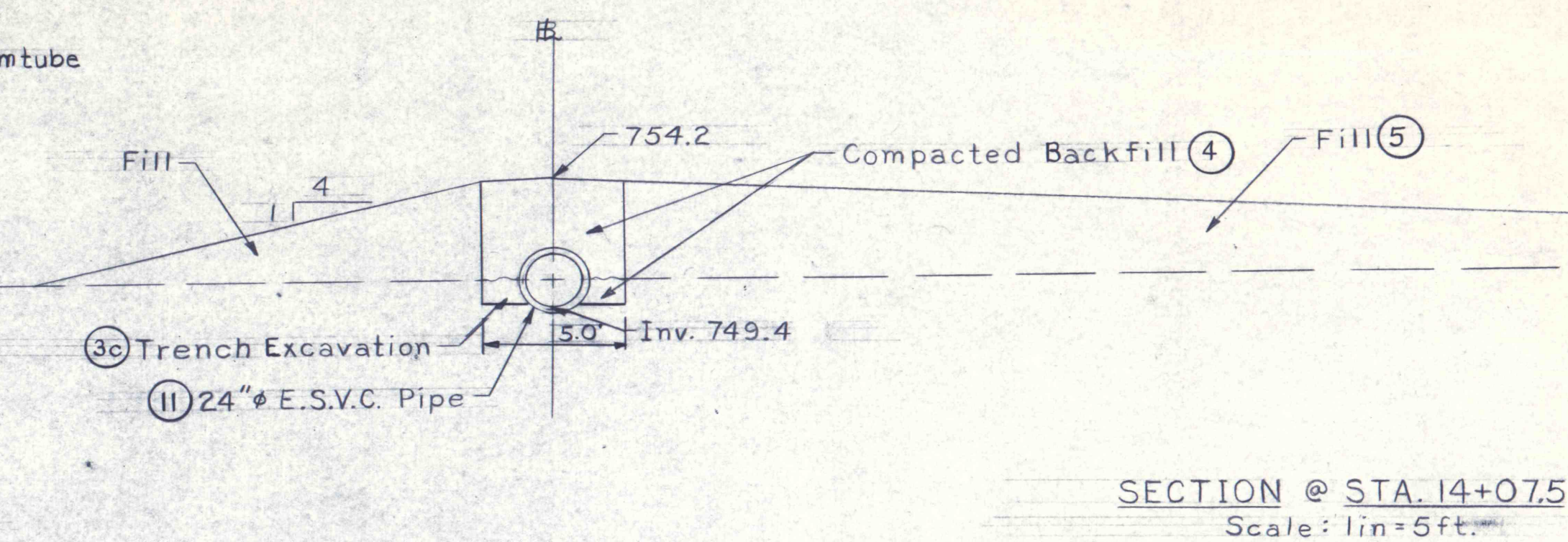
SECTION (5A)
Scale: 1 in. = 2 ft.



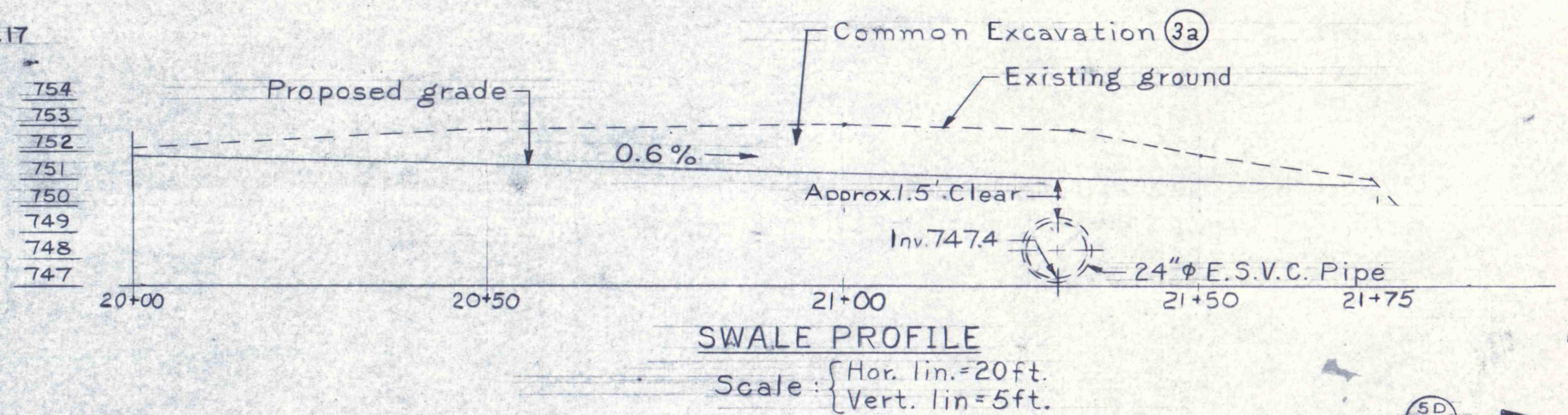
SECTION (5B)
Scale: 1 in. = 2 ft.

Note: New Manhole
No. 4 reinforcing bars shall be placed on 12" centers for slab walls and top of new manhole @ Sta. 13+25

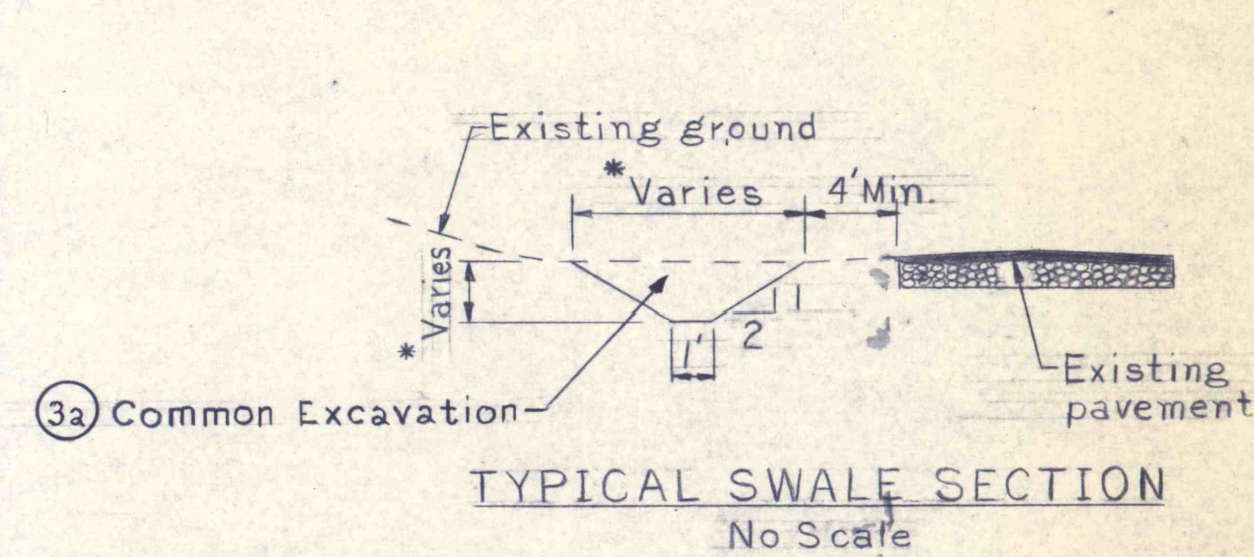
NEW MANHOLE @ STA. 13+25
BYPASS PIPE CENTER LINE



SECTION @ STA. 14+07.5
Scale: 1 in. = 5 ft.

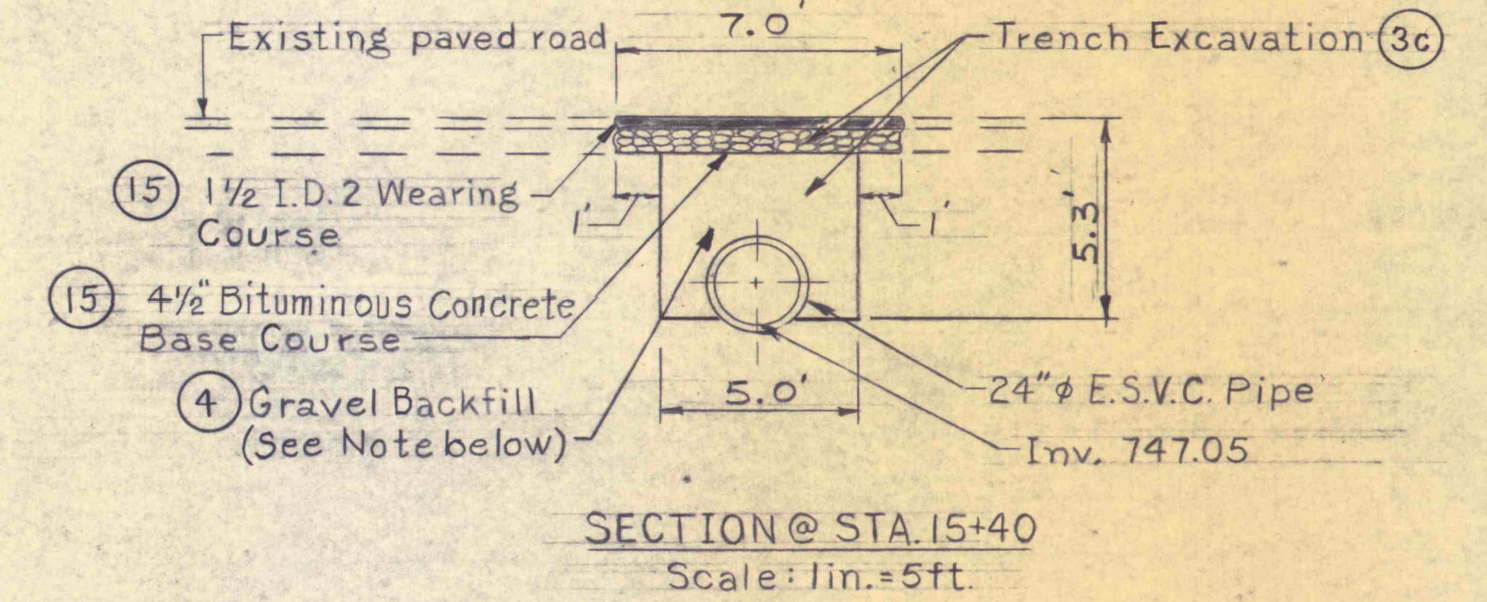


SWALE PROFILE
Scale: Hor. lin. = 20 ft.
Vert. lin. = 5 ft.



TYPICAL SWALE SECTION
No Scale

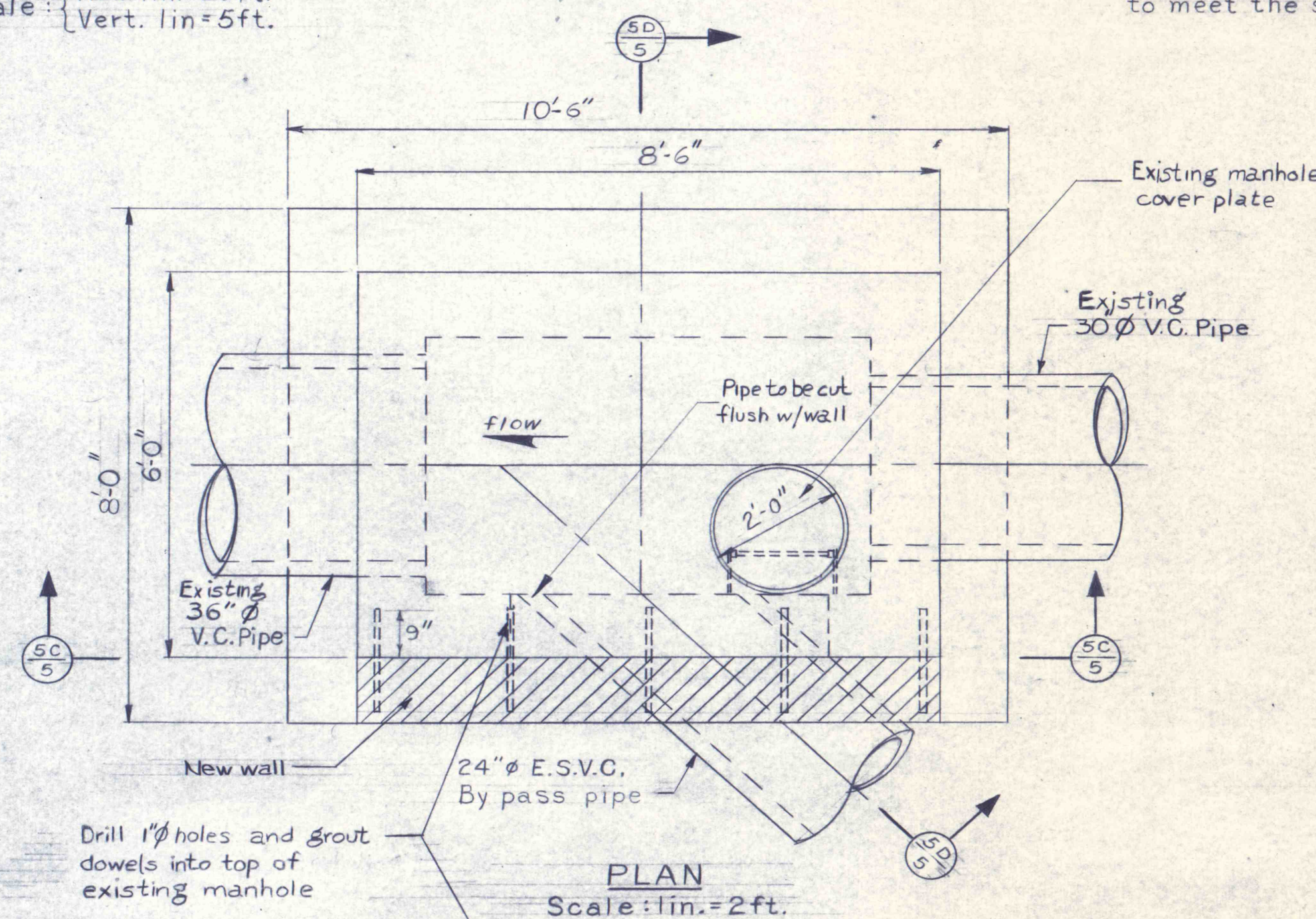
* Width and depth of swale to be as required to meet the swale profile grade.



SECTION @ STA. 15+40
Scale: 1 in. = 5 ft.

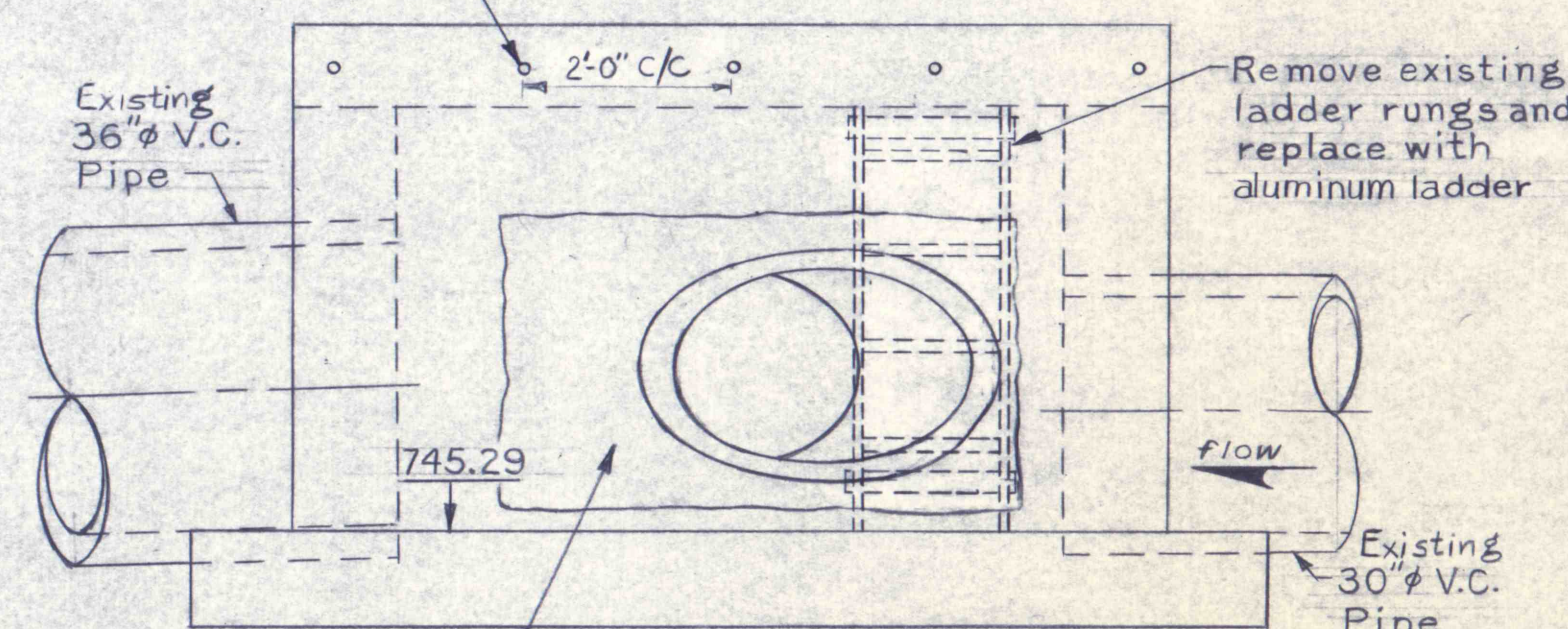
Notes

- Gravel backfill, meeting the requirement of T.S. No. 12, shall be placed as shown on the above pipe trench section following stations of the bypass pipe centerline:
Station 10+15 to 10+40
" 11+71 to 11+87
" 15+28 to 15+60
- Concrete - See Note 1. on Dwg 6 of 8



PLAN
Scale: 1 in. = 2 ft.

Drill 1" holes and grout dowels into top of existing manhole

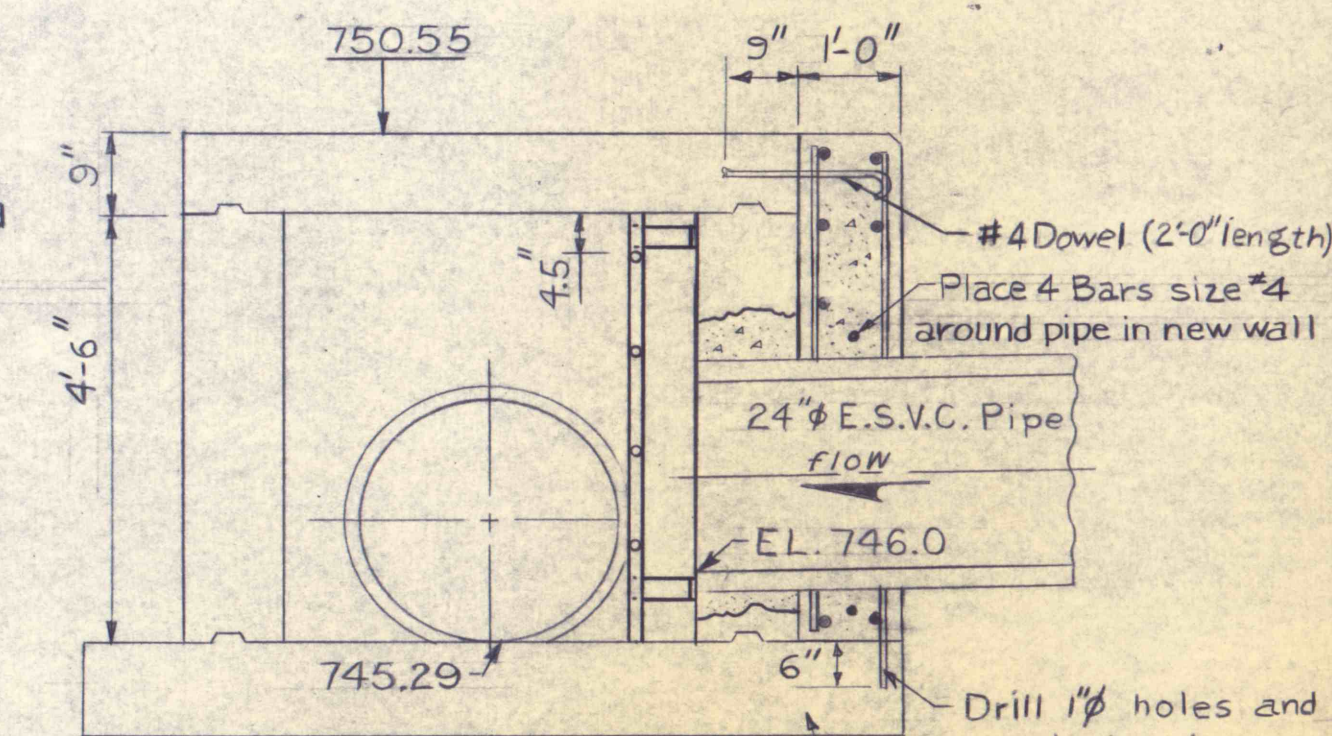


SECTION (5C)
Scale: 1 in. = 2 ft.

Note: Existing Manhole

- Dimensions for existing manhole are approximate and must be verified in the field by the Contractor.
- No. 4 reinforcing bars @ 12" centers both directions, both faces, except where pipe goes thru wall.
- Dowels shall be #4 deformed bars

EXISTING MANHOLE @ STA. 15+97
BYPASS PIPE CENTER LINE



SECTION (5D)
Scale: 1 in. = 2 ft.

"ALL DIMENSIONS AND CONDITIONS SHALL BE CHECKED AND VERIFIED BY CONTRACTOR AT THE SITE."

NO.	DATE	REVISION	APPR.
SUBMITTED <i>Robert L. Watts, Jr.</i> PROJECT CO-ORDINATOR			
APPROVED <i>Albert A. Roman</i> CHIEF-DIVISION OF ACID MINE DRAINAGE ABATEMENT			
APPROVED <i>Richard G. Breneman</i> DIRECTOR-BUREAU OF WATER PROJECTS			
COMMONWEALTH OF PENNSYLVANIA DEPARTMENT OF ENVIRONMENTAL RESOURCES OFFICE OF RESOURCES MANAGEMENT			
CONTRACT NO. SL 112-16-101.1			
MINE DRAINAGE POLLUTION ABATEMENT DEBRIS BASIN ENLARGEMENT AND DIVERSION FACILITIES RAUSCH CREEK TREATMENT PLANT SCHUYLKILL CO. PENNSYLVANIA			
BY PASS PIPE AND MANHOLES			
DRAWN BY V. SOXX	DATE	DRAWING NO. 5 of 8	
CHECKED BY R.C.B.	SCALE As shown		