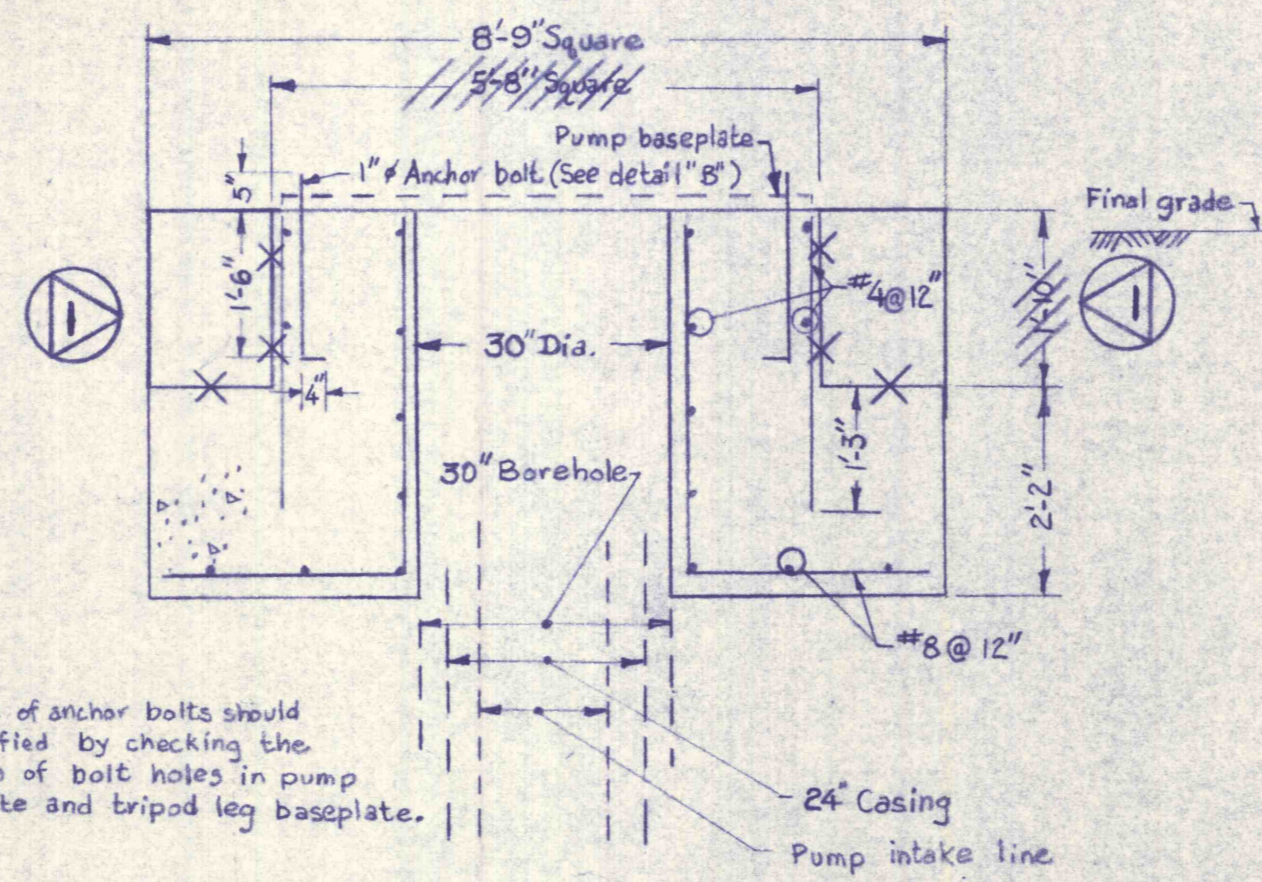
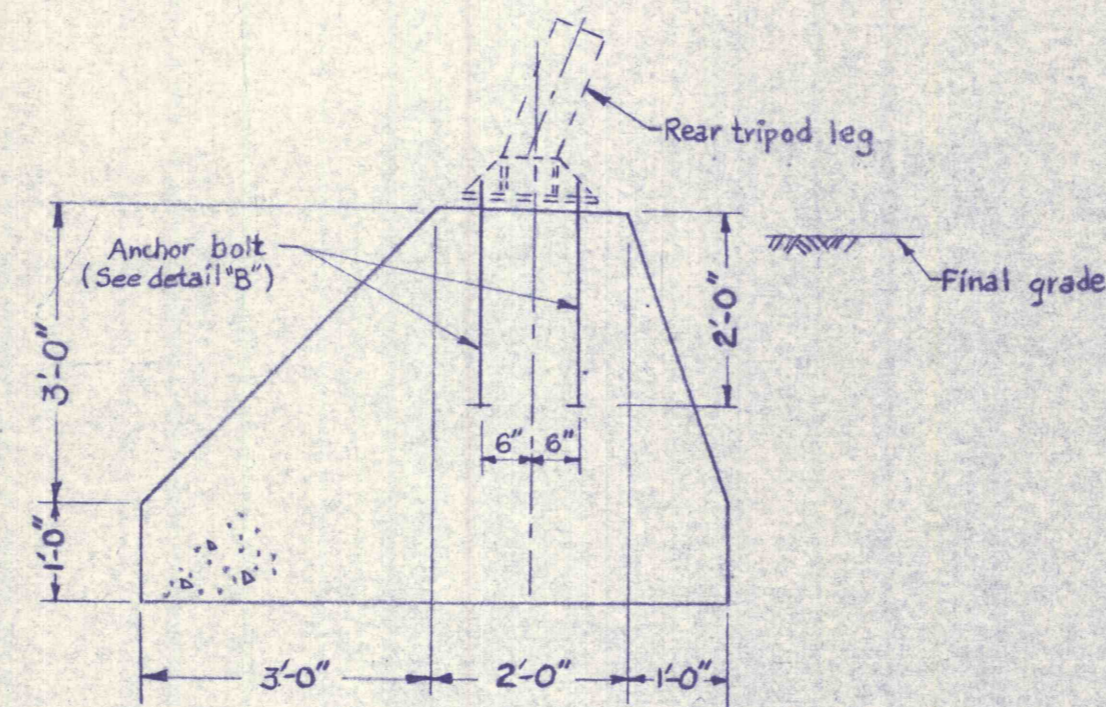


PUMP & TRIPOD FOUNDATIONS

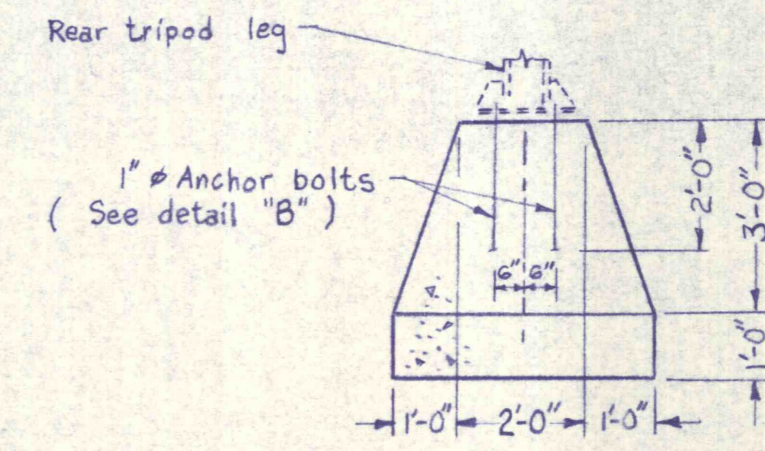


SECTION C-C
Scale: 1"=2'



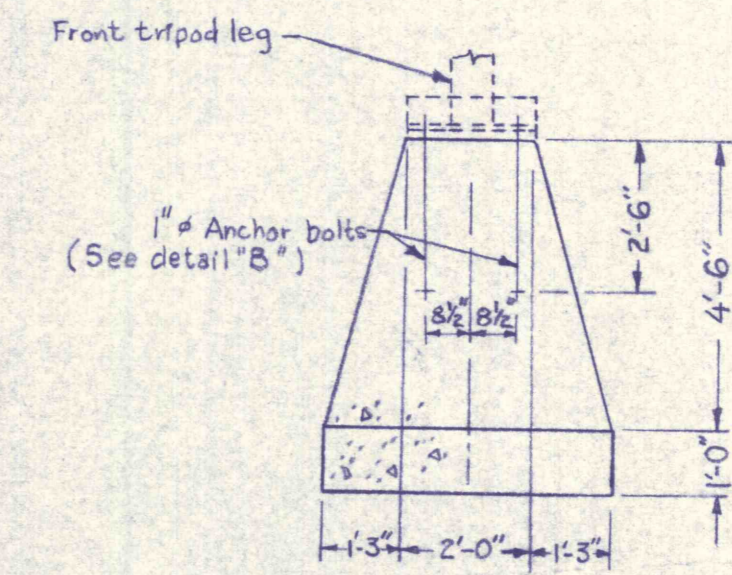
SECTION C-C
Scale: 1"=2'

PUMP & TRIPOD FOUNDATION

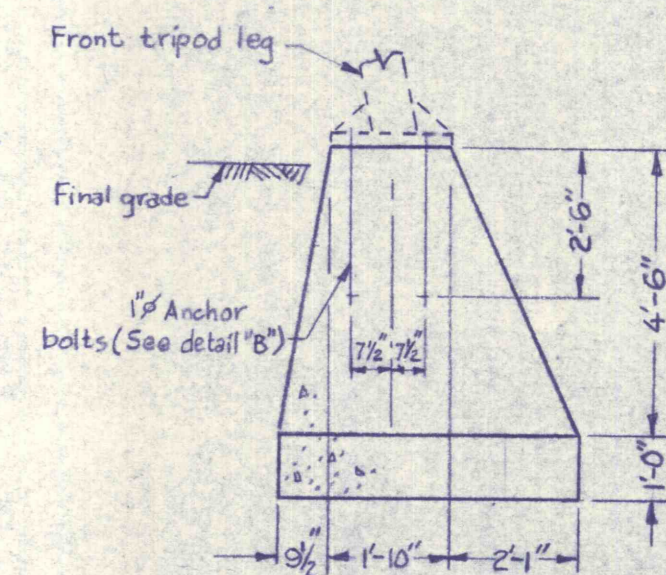


SECTION D-D

NOTE: Location of anchor bolts should be verified by checking the location of bolt holes in pump baseplate and tripod leg baseplates.

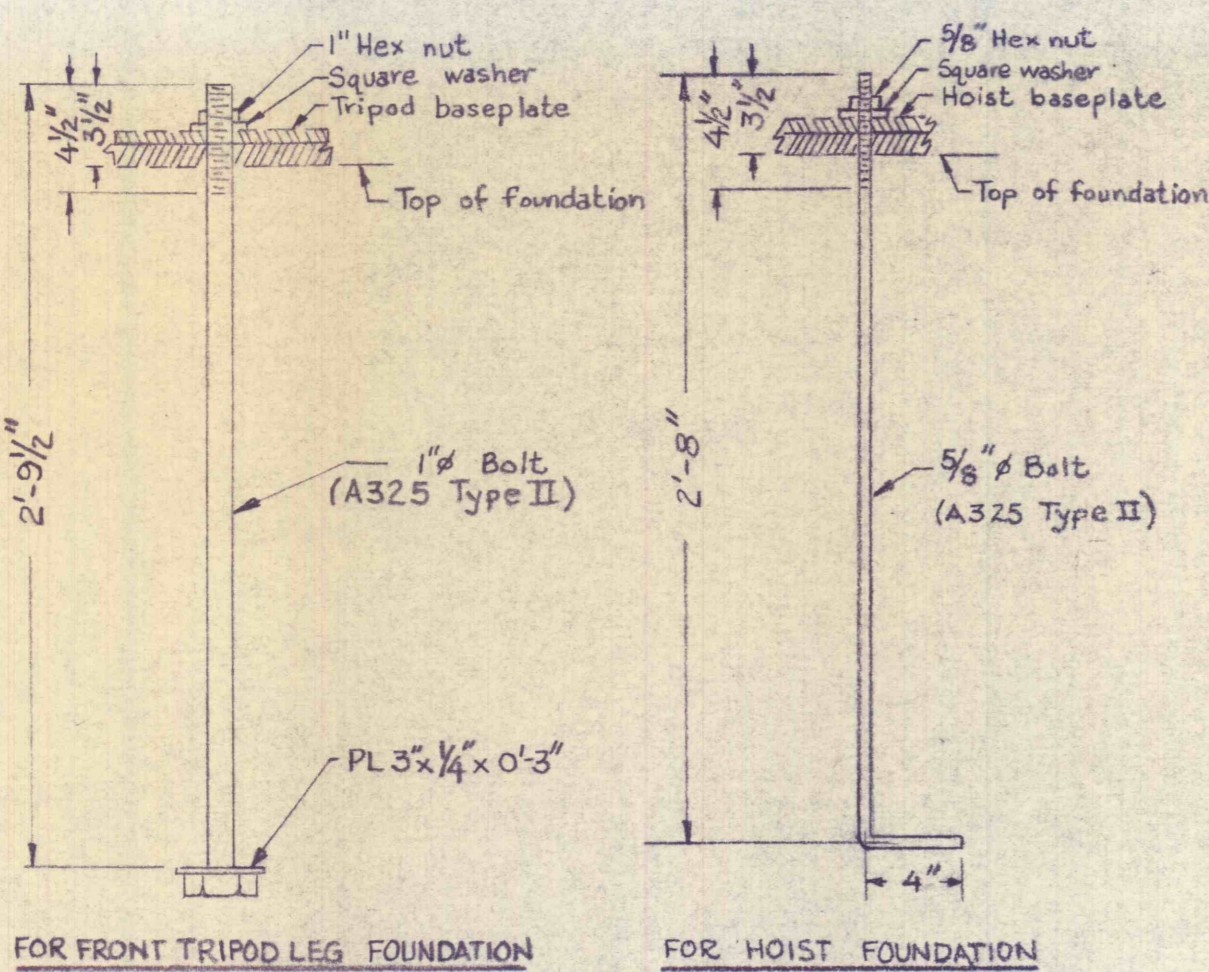
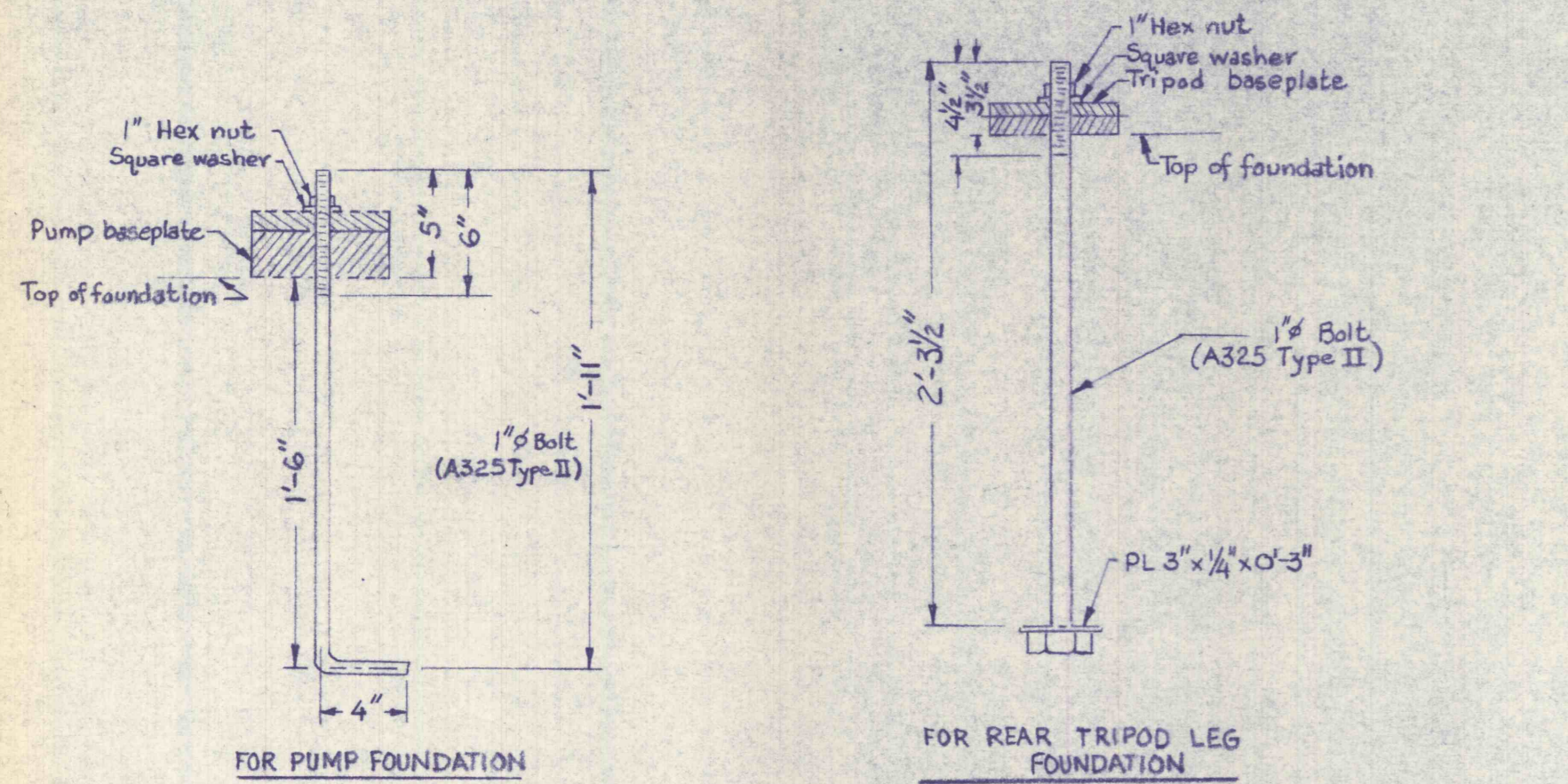


SECTION E-E



SECTION F-F

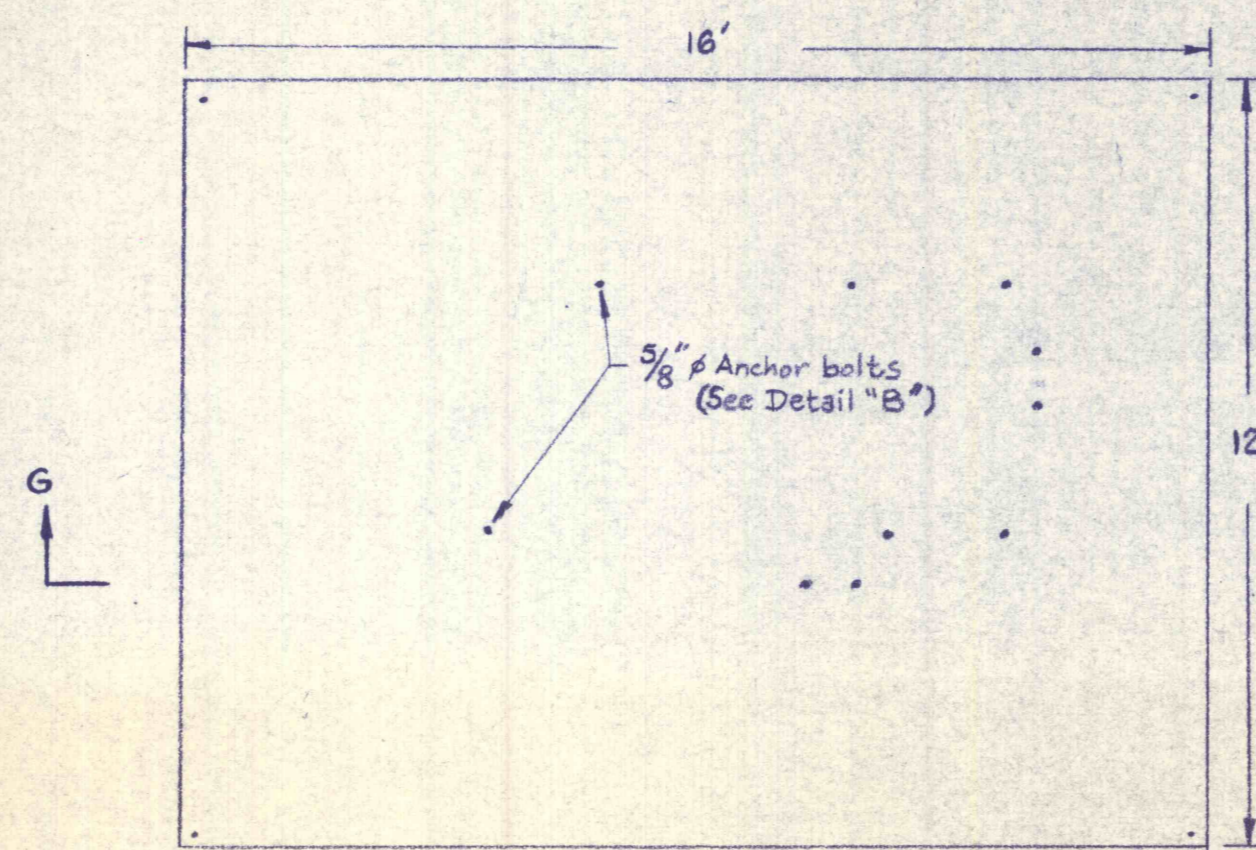
TRIPOD FOUNDATIONS
Scale: 1"=3'



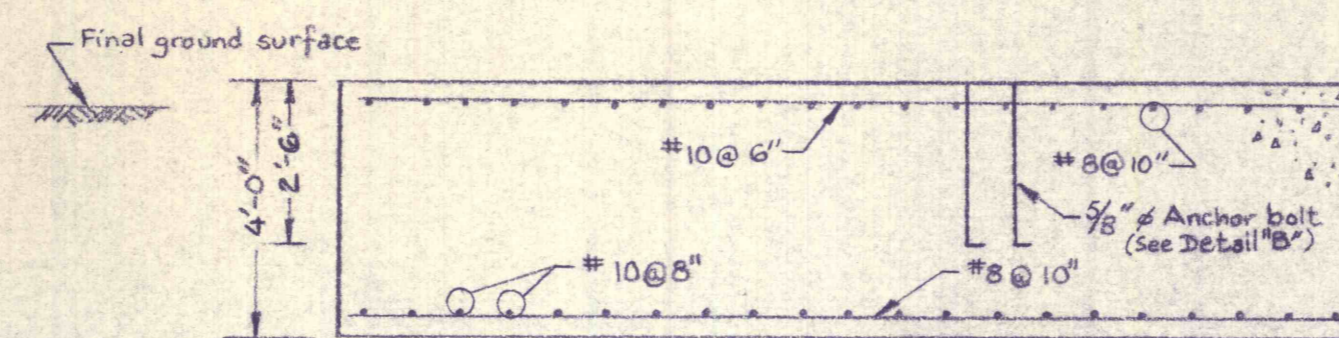
DETAIL "B"
Scale: 1/2"=1'

ANCHOR BOLTS

NOTE: Hex nuts and washers to be A325 Type II

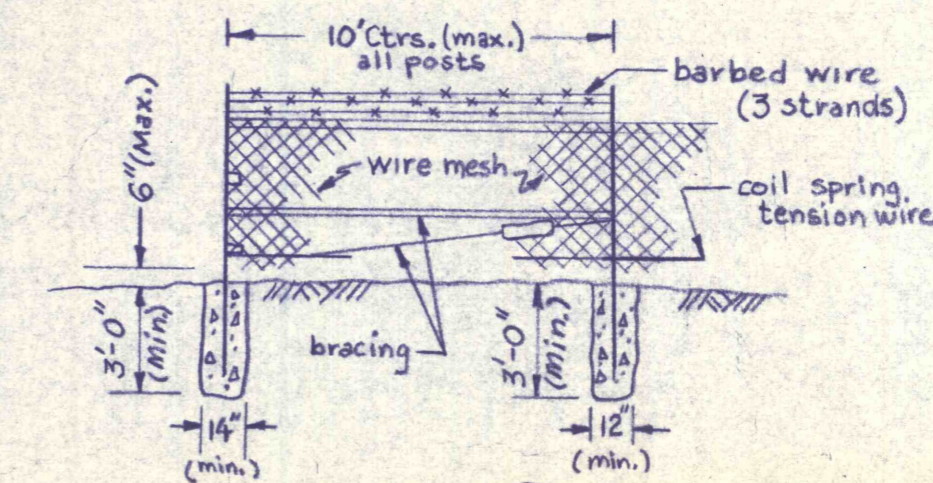


NOTE: Location of anchor bolts should be verified by checking the location of bolt holes in the hoist.

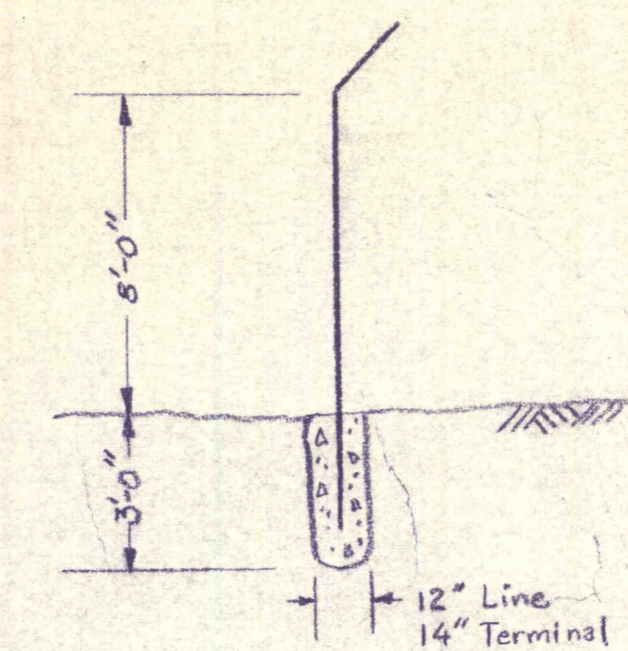


SECTION G-G
Scale: 1"=3'

HOIST FOUNDATION



ELEVATION
NO SCALE



SECTION H-H
NO SCALE

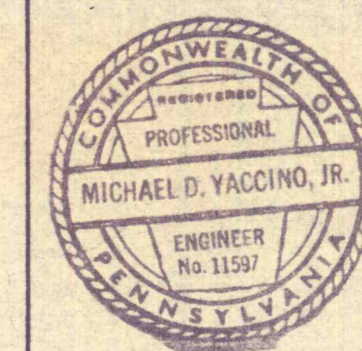
CHAIN LINK FENCE

7-6-79 AS BUILT.		
7-6-79 ENLARGEMENT OF PUMP FOUNDATION.		
NO. DATE	REVISION	APPR

SUBMITTED *M. Ferko*
DESIGN ENGINEER

APPROVED *M. Sauer*
DISTRICT ENGINEER

APPROVED *E. Kille for V.M. Boas*
DIRECTOR, BUREAU OF RESOURCES PROGRAMMING



(SEALS)

COMMONWEALTH OF PENNSYLVANIA
DEPARTMENT OF ENVIRONMENTAL RESOURCES
OFFICE OF RESOURCES MANAGEMENT

PROJECT NO. MWC-48

BOREHOLE CONSTRUCTION AND
DEEP-WELL PUMP INSTALLATION
NEAR VALLEY VIEW

SCHUYLKILL COUNTY PENNSYLVANIA

PLAN, SECTIONS & DETAILS

DRAWN BY MRF	DATE 16 AUG 76	DRAWING NO.
CHECKED BY MRF	SCALE AS SHOWN	