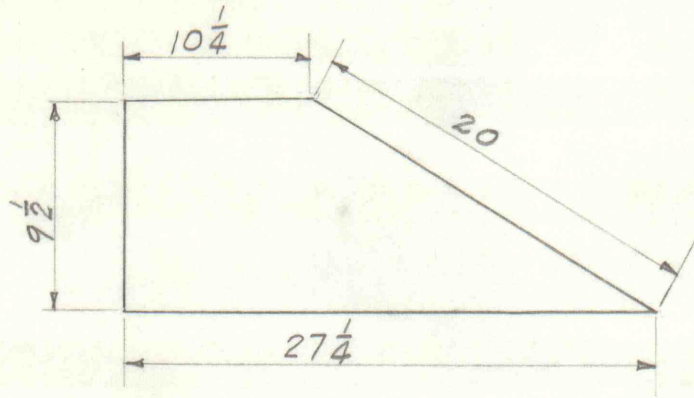
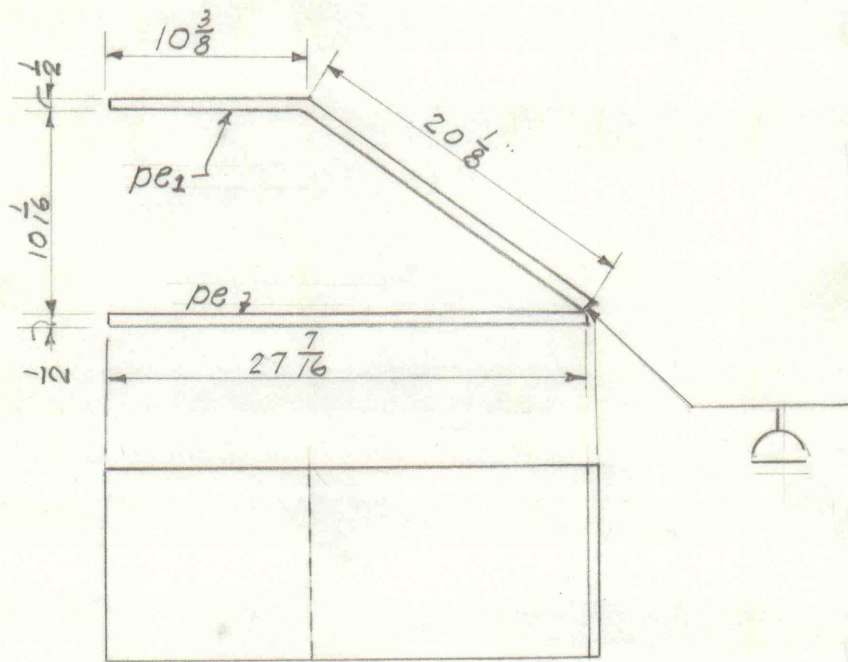


STEEL SHORING

DREW DEVELOPMENT CO., POTTSVILLE, PA.



MARK "pf" REQ'D 2 PLS $27\frac{1}{4} + 9\frac{1}{2} \times \frac{1}{2}$



MARK "pe" REQ'D 2 PLS $27\frac{7}{16} \times 12 \times \frac{1}{2}$

MARK "pe1" REQ'D 2 PLS $30\frac{1}{2} \times 12 \times \frac{1}{2}$