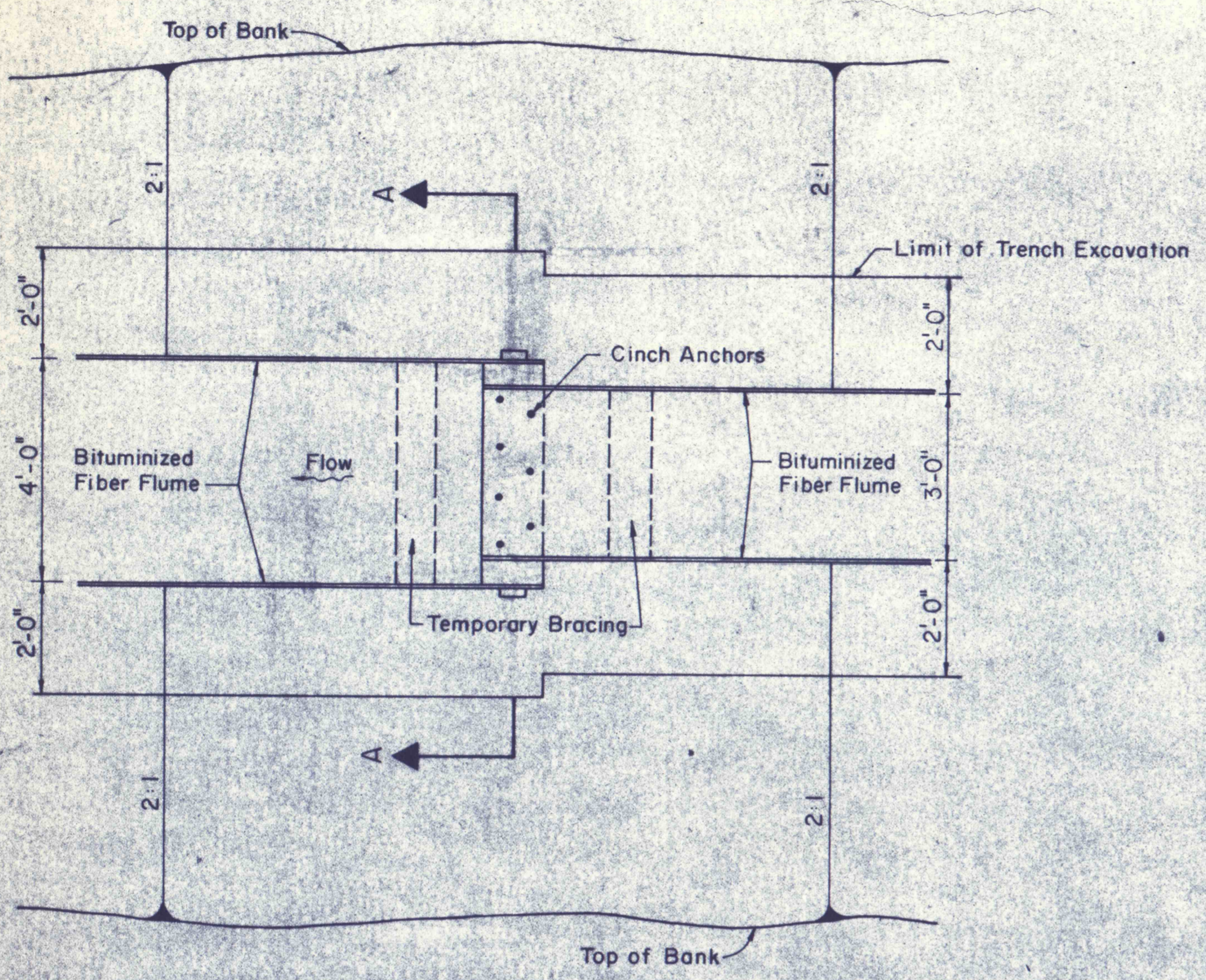
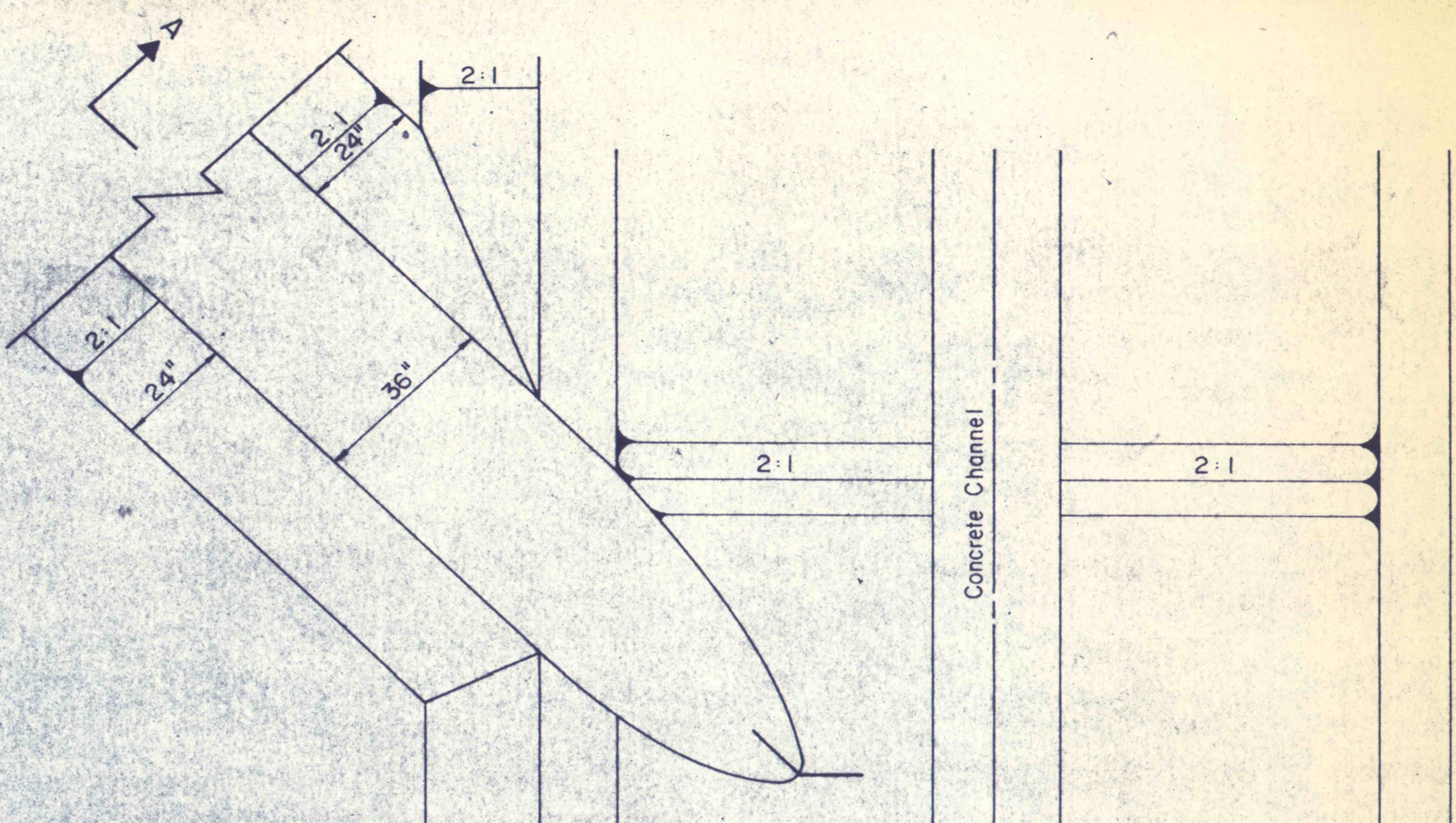


Note: See Concrete Paved Swale Flume Entrance Detail for Cinch Anchors Spacing.

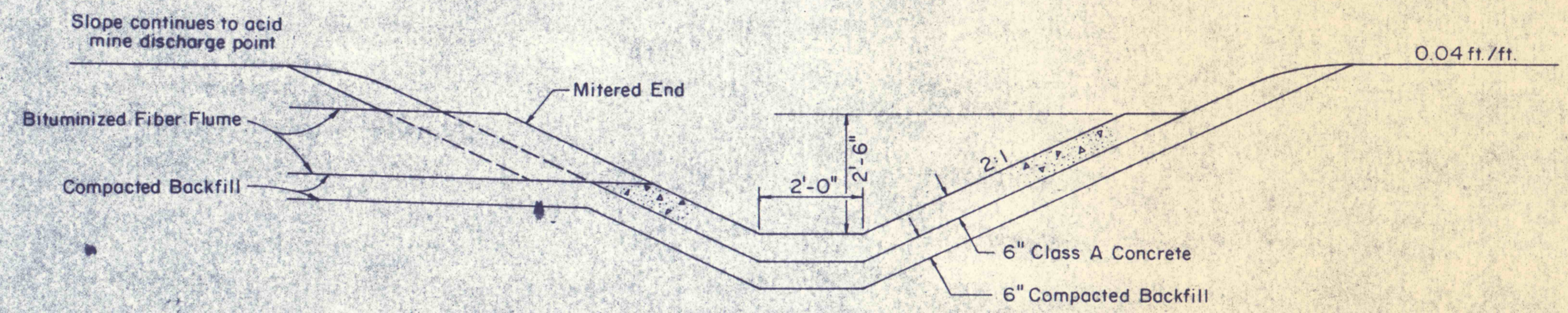


PLAN



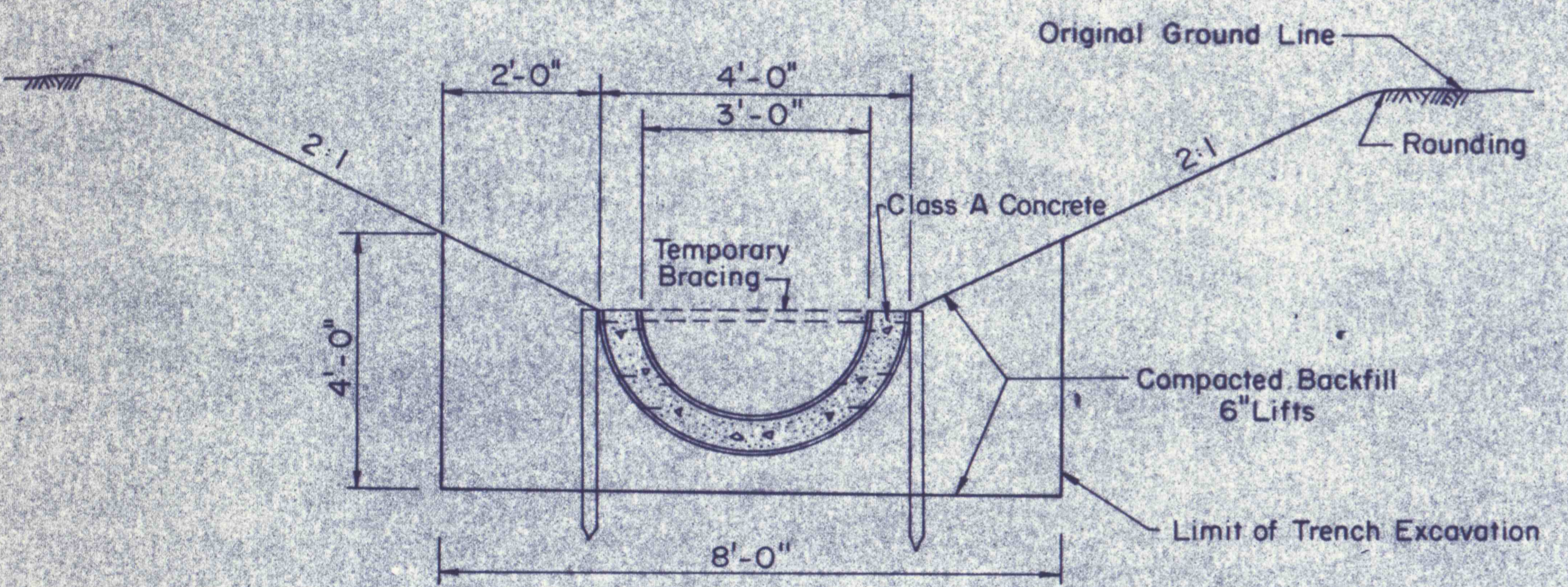
PLAN

Install 36" Bituminized Fiber Flume Half Section from Acid Discharge Point to Channel (Approx. location indicated on plan)



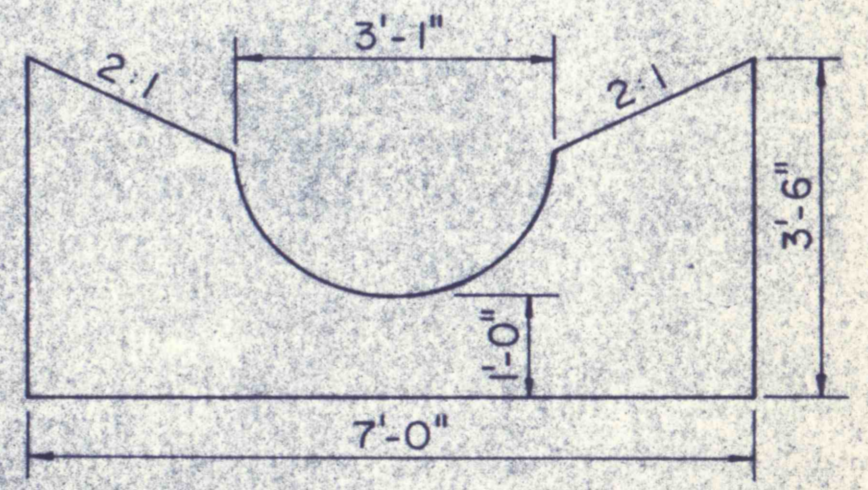
SECTION A-A

FLUME ENTRANCE TO CONCRETE CHANNEL FROM ACID DISCHARGE POINT
NOT TO SCALE



SECTION A-A

BITUMINIZED FIBER FLUME TRANSITION
NOT TO SCALE

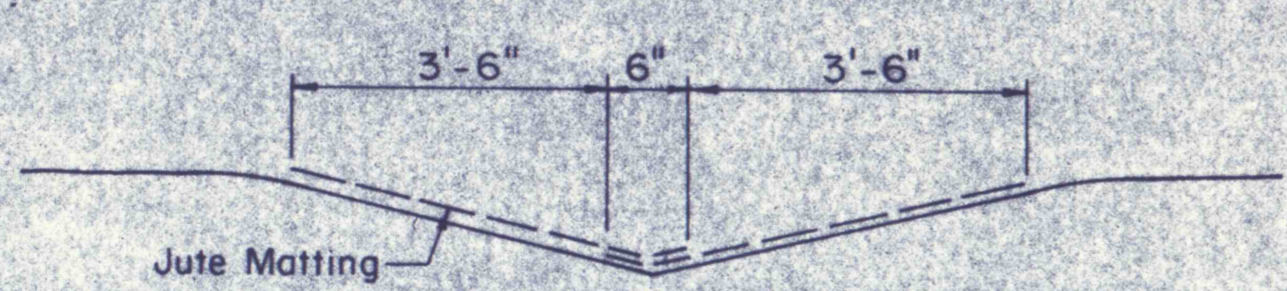


FRONT

NOTES:

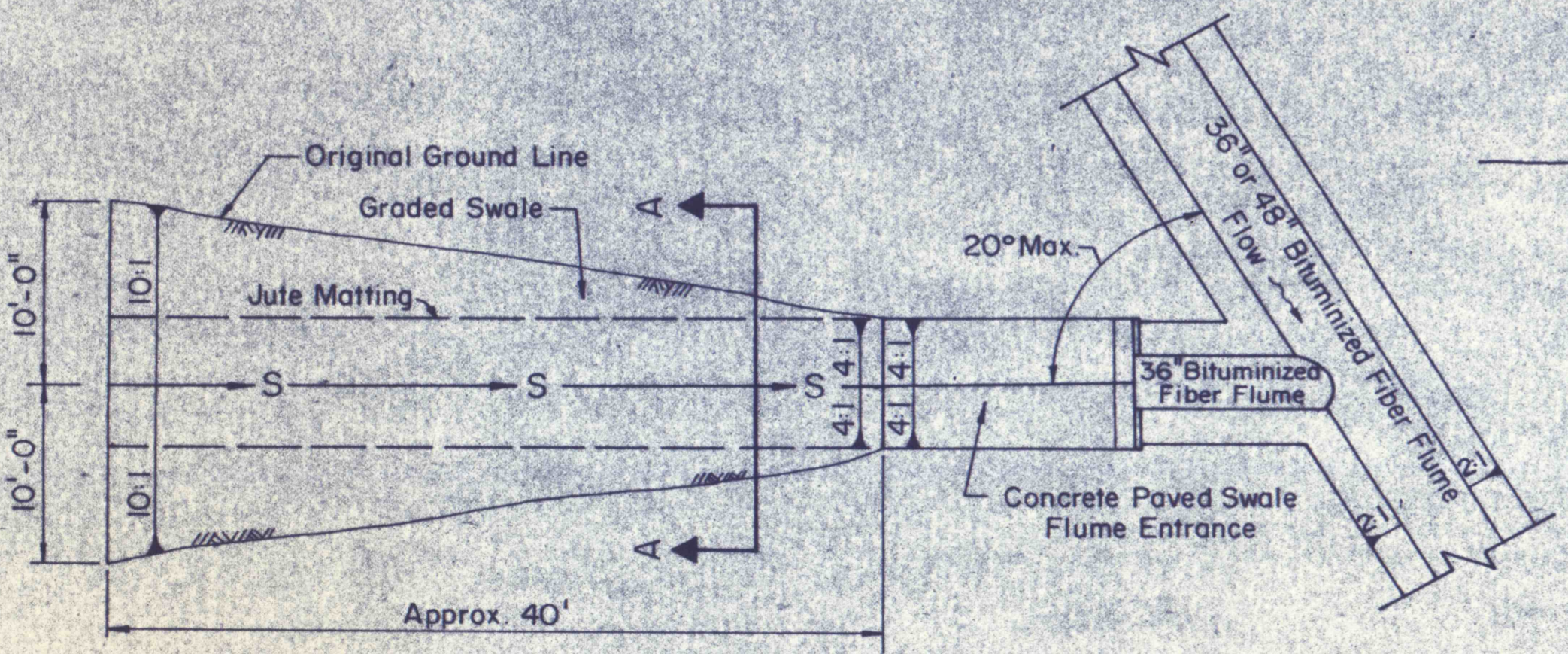
Anchors to be used where slope of flume is 20% or greater. Anchors will be installed at ends and midsection of flume sections when used. Stakes will be needed between anchors so 5'-0" spacing will be maintained

Lowest section to be overlapped 6" by next section where anchors are used. Overlapped flume sections to be spliced with minimum of 7 - 3" cinch anchors or expansion bolts embedded in concrete, staggered rows. Joint to be sealed with a mastic sealing compound. Refer to detail of "Concrete Paved Swale Flume Entrance" for spacing of cinch anchors.



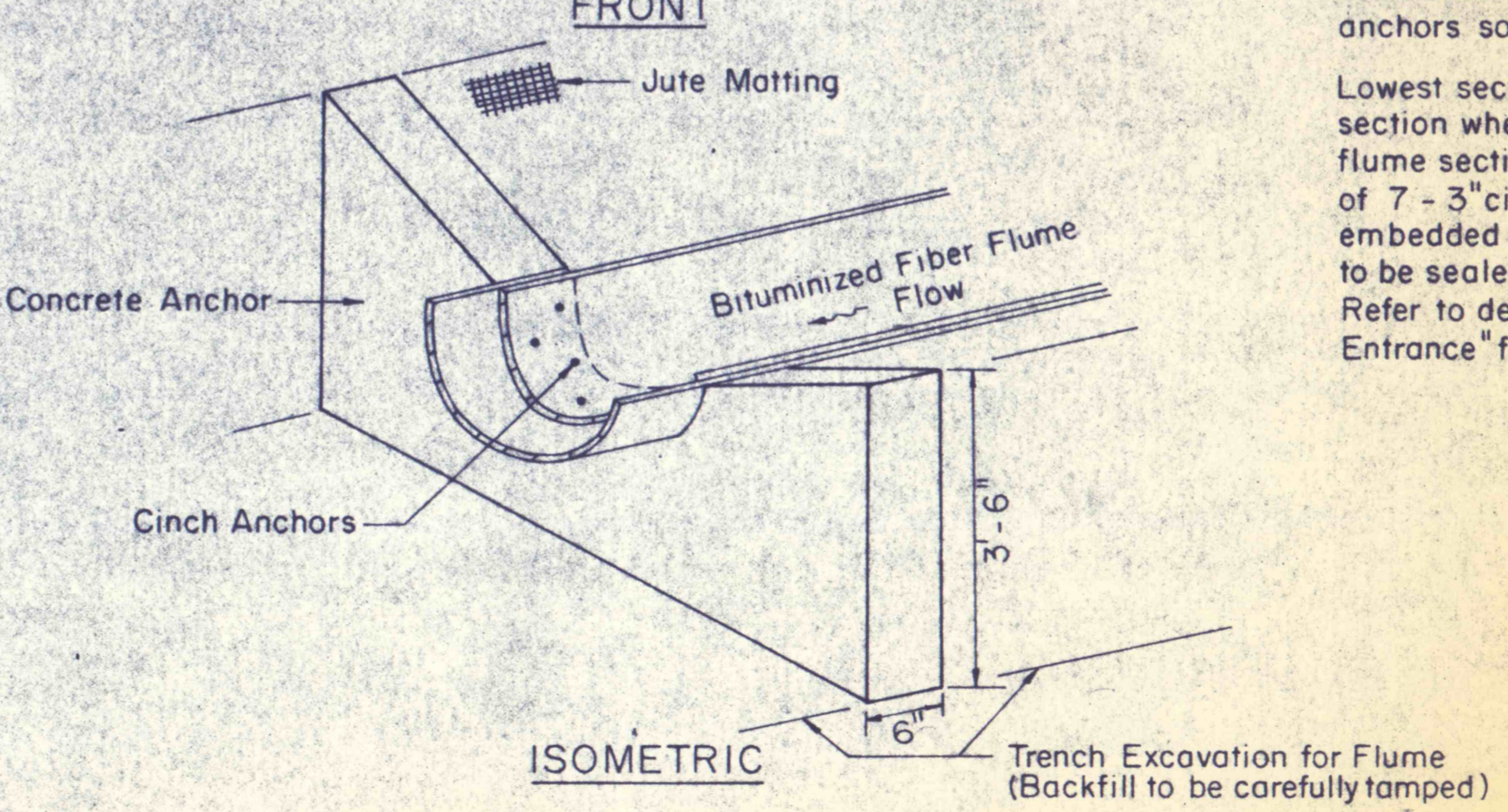
SECTION A-A

BITUMINIZED FIBER FLUME CONCRETE ANCHOR
NOT TO SCALE



PLAN

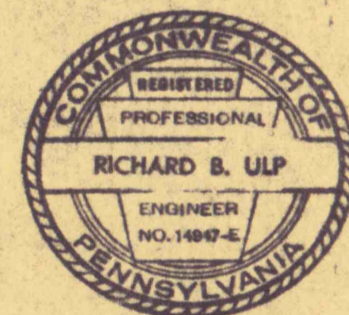
SWALE ENTRANCE TO BITUMINIZED FIBER FLUME
NOT TO SCALE



ISOMETRIC

Trench Excavation for Flume (Backfill to be carefully tamped)

NO	DATE	REVISION	APPR.
SUBMITTED			
APPROVED			
APPROVED			



COMMONWEALTH OF PENNSYLVANIA
DEPARTMENT OF ENVIRONMENTAL RESOURCES
OFFICE OF RESOURCES MANAGEMENT

PROJECT NO. SL 113-5-1

MINE DRAINAGE POLLUTION ABATEMENT
COAL RUN
SHAMOKIN CREEK WATERSHED
NORTHUMBERLAND COUNTY, PA.

ERDMAN, ANTHONY, ASSOCIATES
Consulting Engineers
Camp Hill, Pa. Rochester, N.Y.

FIBER FLUME DETAILS

DRAWN BY GMS	DATE 5-9-75	DRAWING NO. 24 of 28
CHECKED BY DHC	SCALE AS SHOWN	