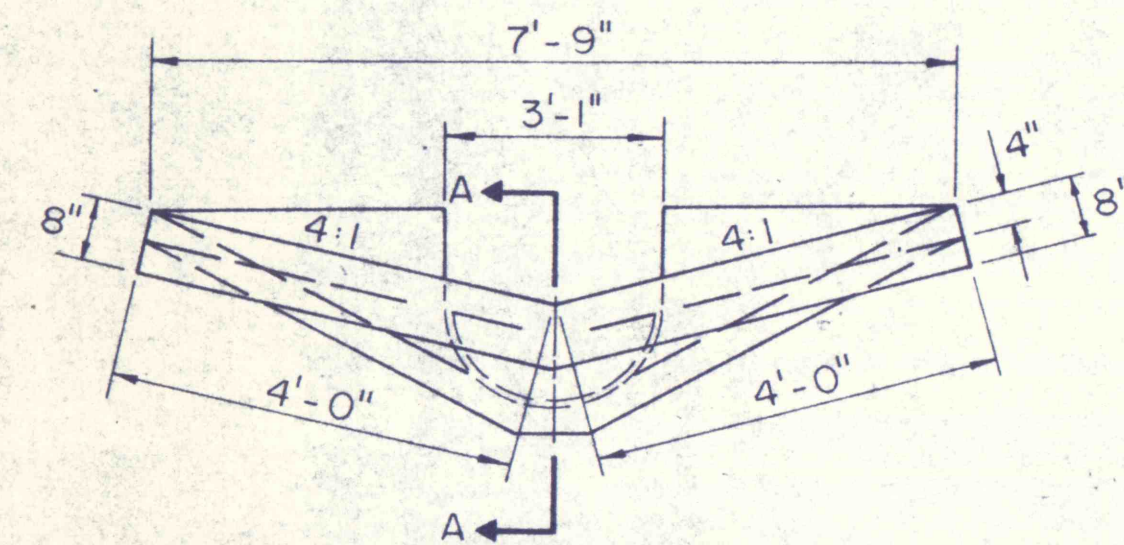
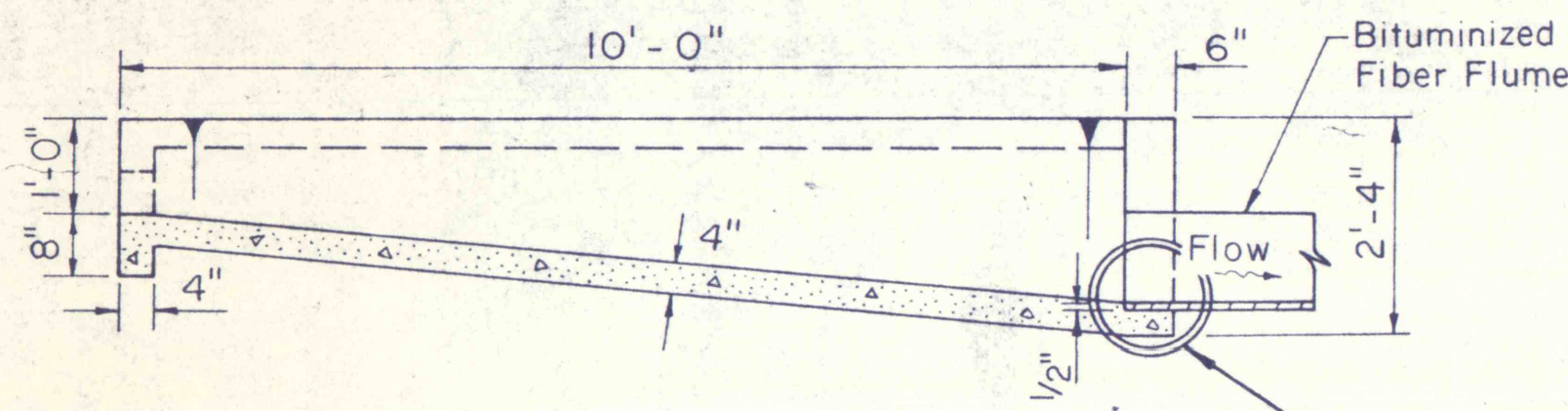


PLAN VIEW

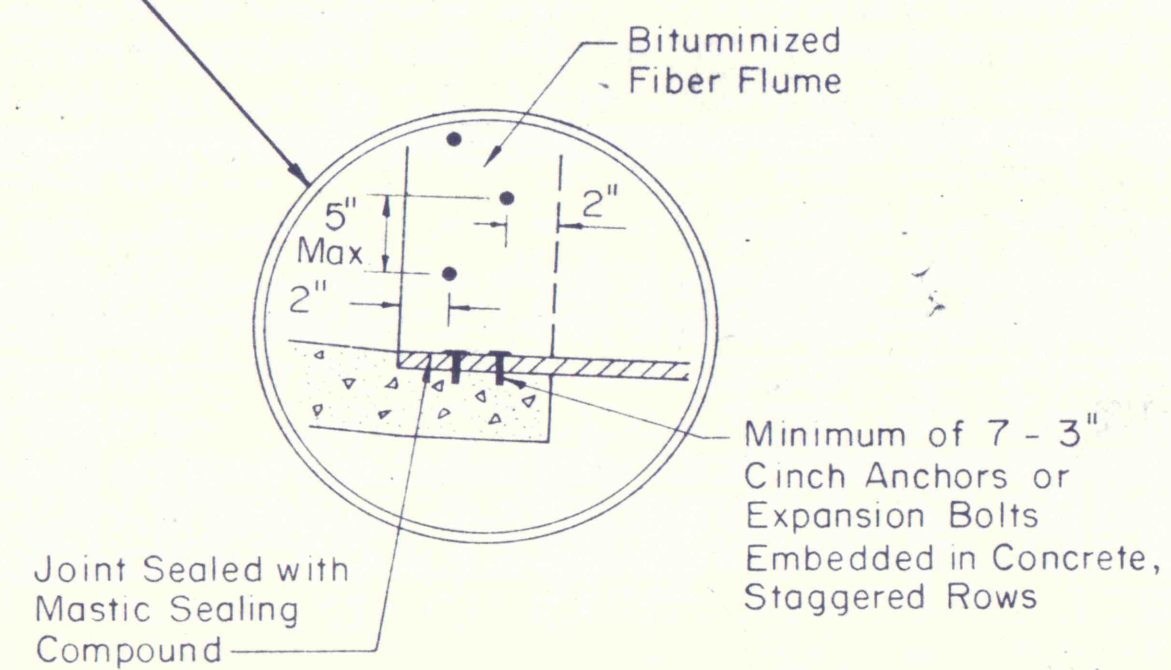


FRONT VIEW

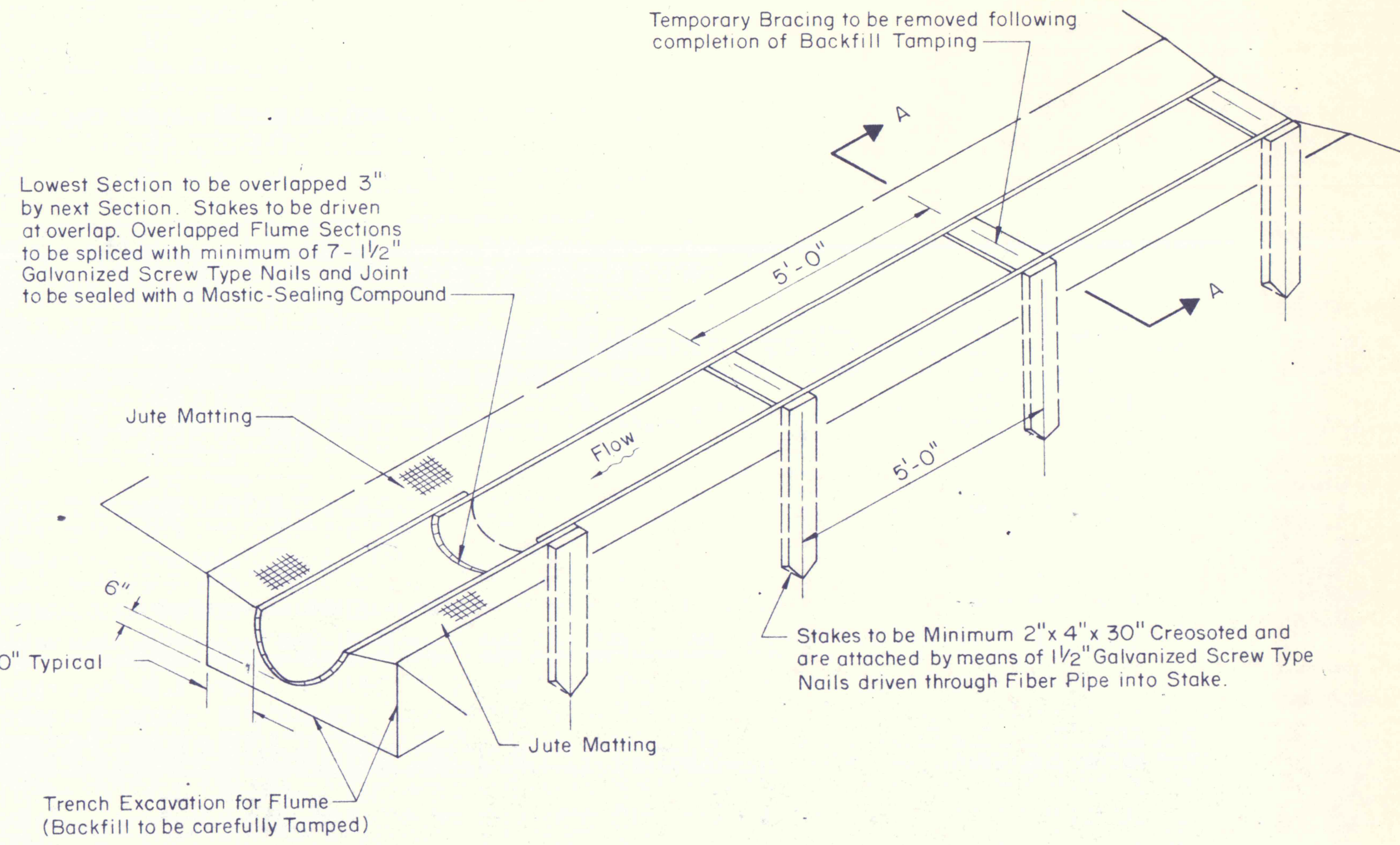


SECTION A-A

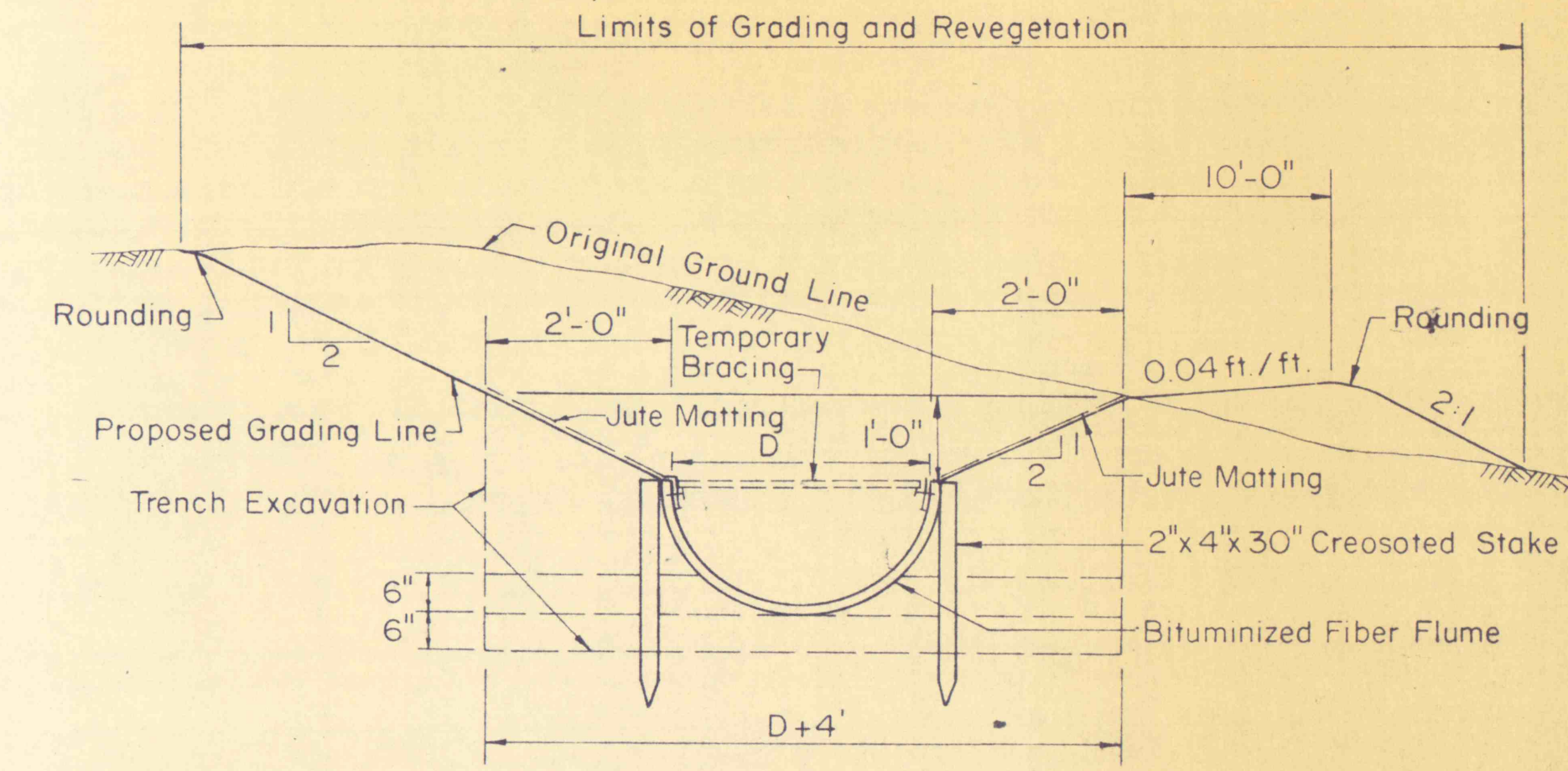
CONCRETE PAVED SWALE  
FLUME ENTRANCE  
SCALE: 1/2" = 1'-0"



DETAIL  
NO SCALE

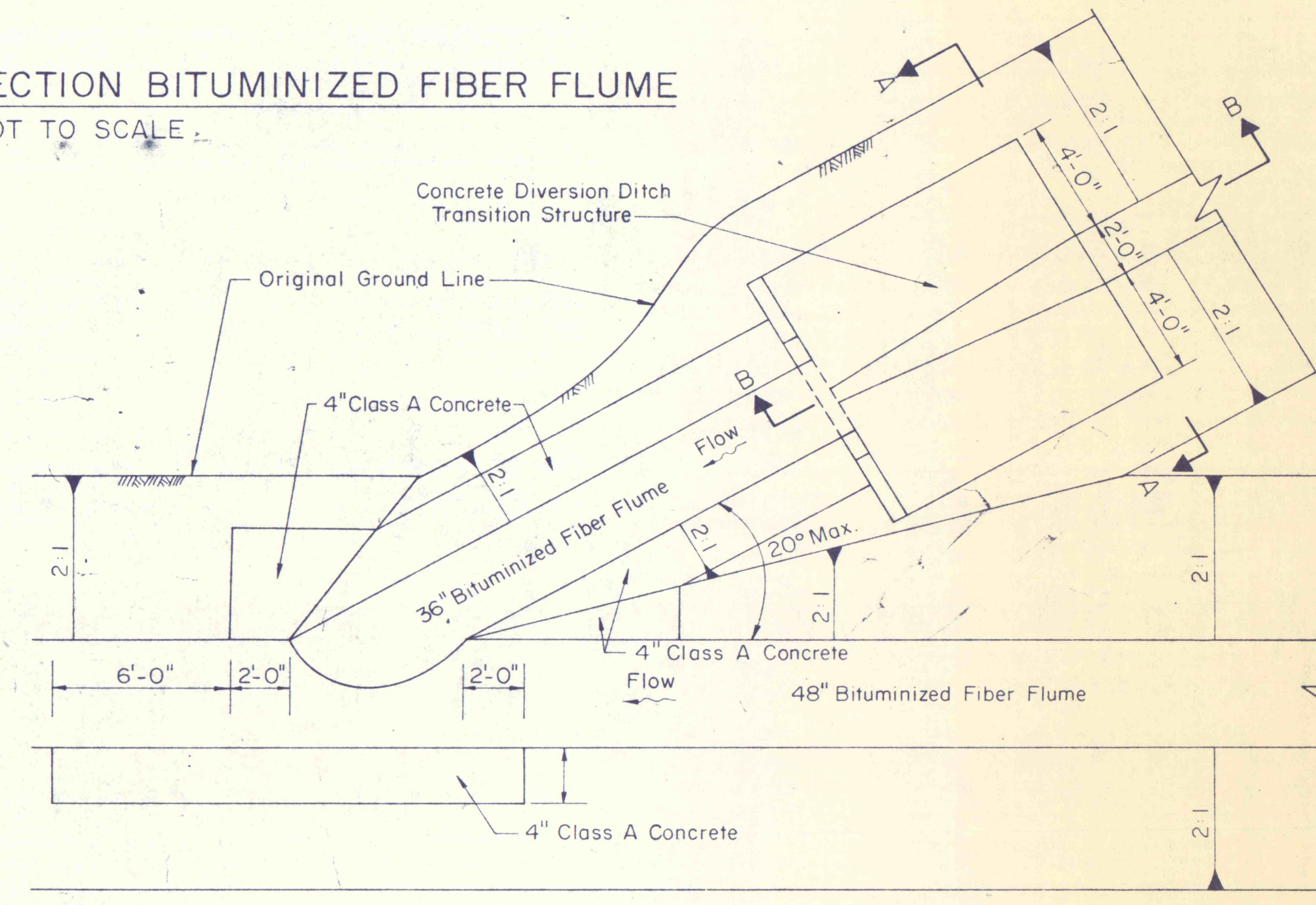


INSTALLATION OF HALF SECTION BITUMINIZED FIBER FLUME  
NOT TO SCALE

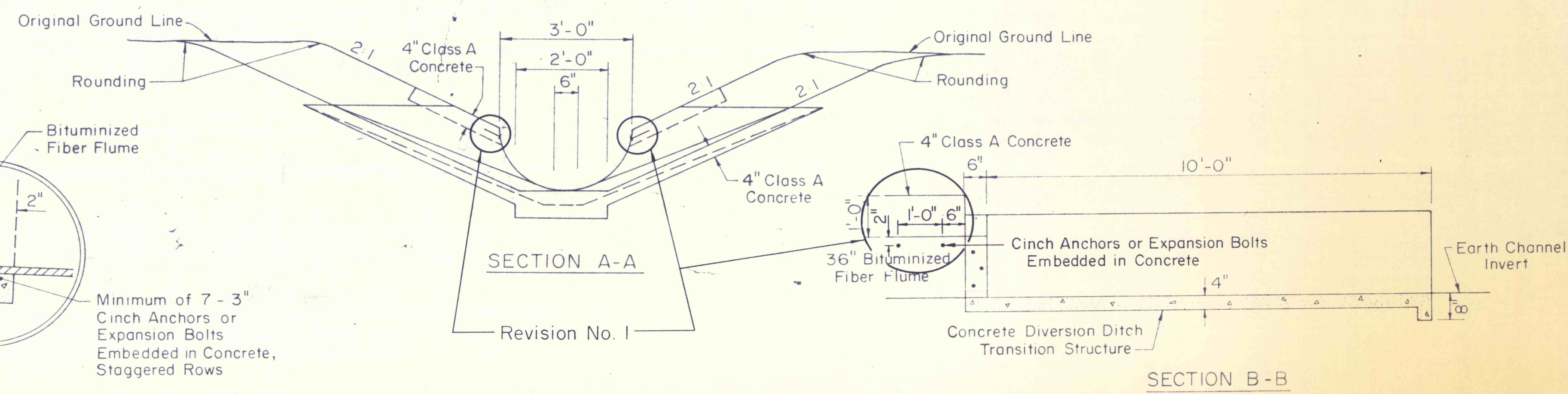


SECTION A-A  
NOT TO SCALE

- CONSTRUCTION SEQUENCE
1. Excavate to limits of trench excavation.
  2. Fill and tamp first two layers.
  3. Re-excavate to fit pipe periphery.
  4. Install half-section bracing and stakes
  5. Backfill and tamp in 6" layers to grade line

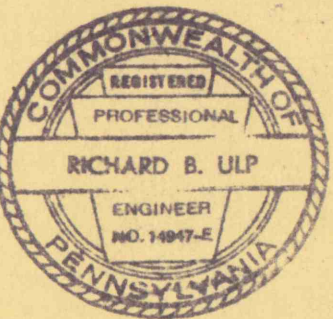


PLAN VIEW



DIVERSION DITCH SIDE ENTRANCE TO BITUMINIZED FIBER FLUME  
NOT TO SCALE

1	3-2-76	Added Cinch Anchors or Expansion Bolts to Detail	HC
NO	DATE	REVISION	APPR
SUBMITTED:	<i>Richard B. Ulp</i>		
APPROVED:	<i>Richard B. Ulp</i>		
APPROVED:	<i>Anthony Erdman</i>		



COMMONWEALTH OF PENNSYLVANIA  
DEPARTMENT OF ENVIRONMENTAL RESOURCES  
OFFICE OF RESOURCES MANAGEMENT

PROJECT NO. SL 113-5-1

MINE DRAINAGE POLLUTION ABATEMENT  
COAL RUN  
SHAMOKIN CREEK WATERSHED  
NORTHUMBERLAND COUNTY, PA.

ERDMAN, ANTHONY, ASSOCIATES  
Consulting Engineers  
Comp Hill, Pa. Rochester, N.Y.

FIBER FLUME DETAILS

DRAWN BY	DATE	DRAWING NO.
GMS	5-9-75	23 of 28
CHECKED BY	SCALE	
DHC	AS SHOWN	