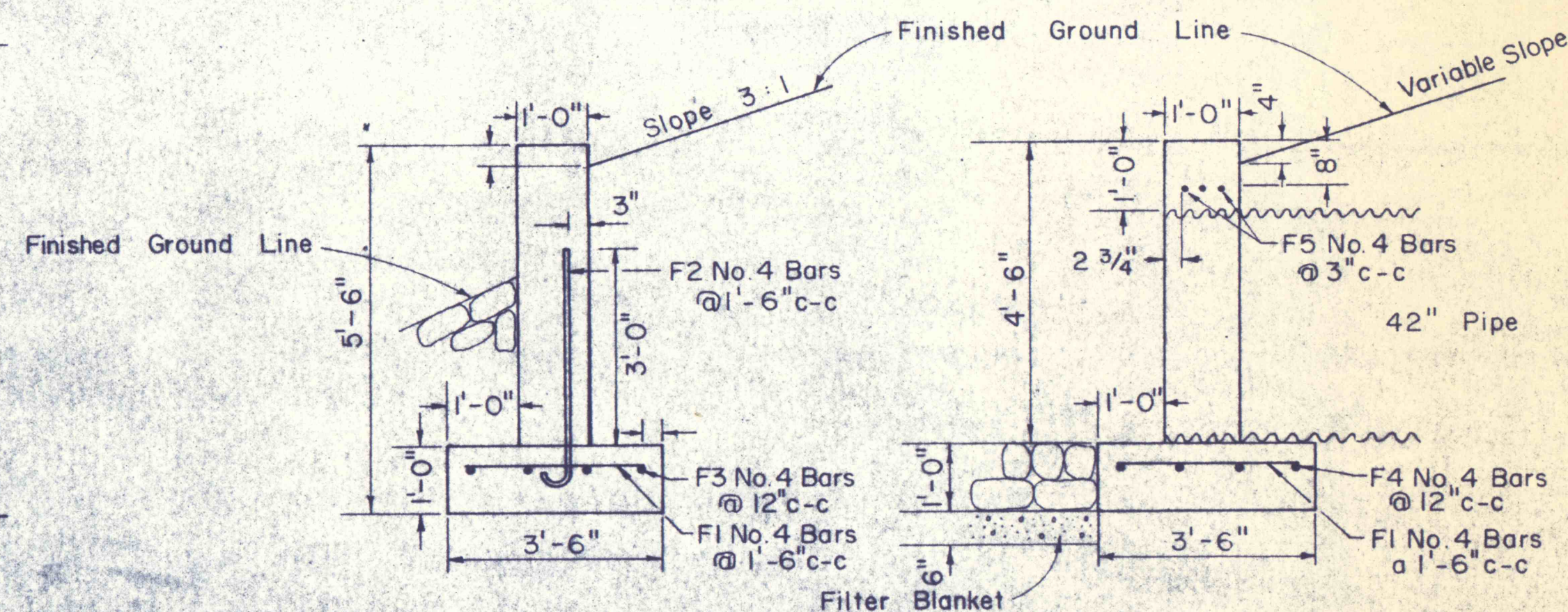
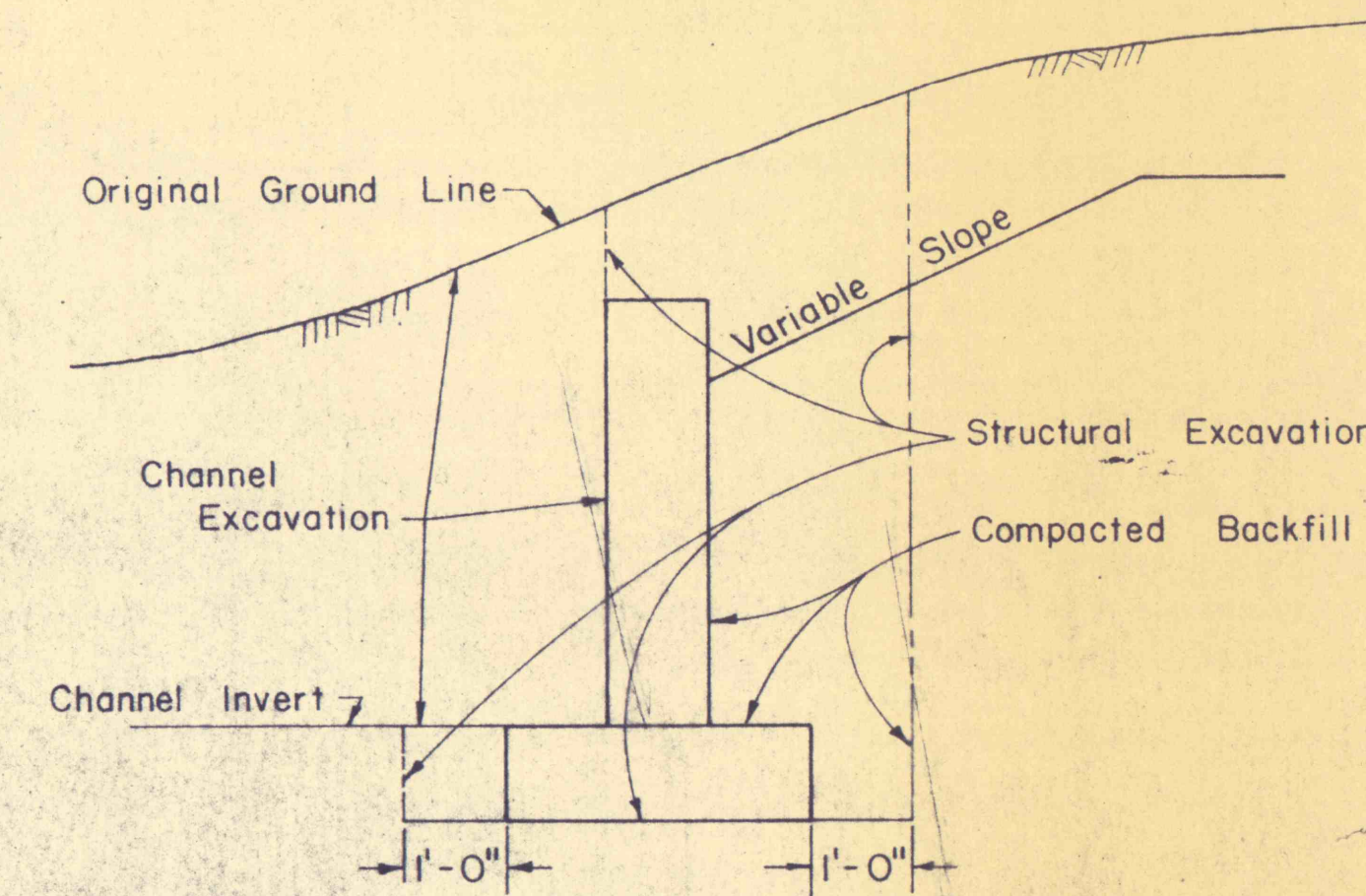


LOCATION OF WORKPOINT
NOT TO SCALE



TYPICAL WING WALL SECTION

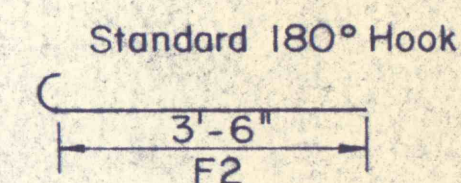
TYPICAL HEAD WALL SECTION



TYPICAL WALL EXCAVATION LIMITS

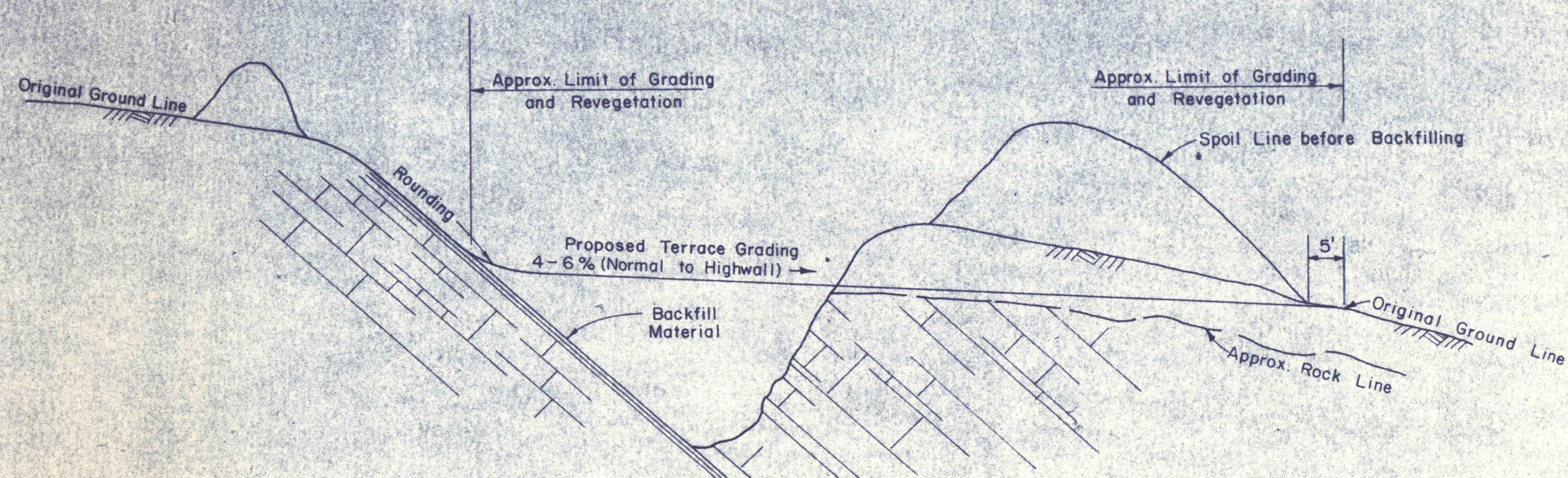
BAR SCHEDULE

SIZE	TYPE	NUMBER	LENGTH
F1	4 Straight	11	3'-0"
F2	4 Bent	8	4'-1"
F3	4 Straight	4	4'-6"
F4	4 Straight	4	3'-6"
F5	4 Straight	3	5'-10"



HEADWALL FOR 42" CULVERT

NOT TO SCALE



TYPICAL DETAIL FOR STANDARD TERRACING METHOD

NO	DATE	REVISION	APPR
SUBMITTED			
 PROFESSIONAL			
APPROVED			
 CHIEF - DIVISION OF MINE RECLAMATION			
APPROVED			
 DIRECTOR - BUREAU OF DESIGN			
COMMONWEALTH OF PENNSYLVANIA DEPARTMENT OF ENVIRONMENTAL RESOURCES OFFICE OF RESOURCES MANAGEMENT			
PROJECT NO. SL 113-5-1			
MINE DRAINAGE POLLUTION ABATEMENT COAL RUN SHAMOKIN CREEK WATERSHED NORTHUMBERLAND COUNTY, PA.			
ERDMAN, ANTHONY, ASSOCIATES Consulting Engineers Camp Hill, Pa. Rochester, NY			
HEADWALL DETAILS AND TERRACING DETAIL			
DRAWN BY	DATE	DRAWING NO.	
GMS	5-9-75		
CHECKED BY	SCALE		
DHC	AS SHOWN		