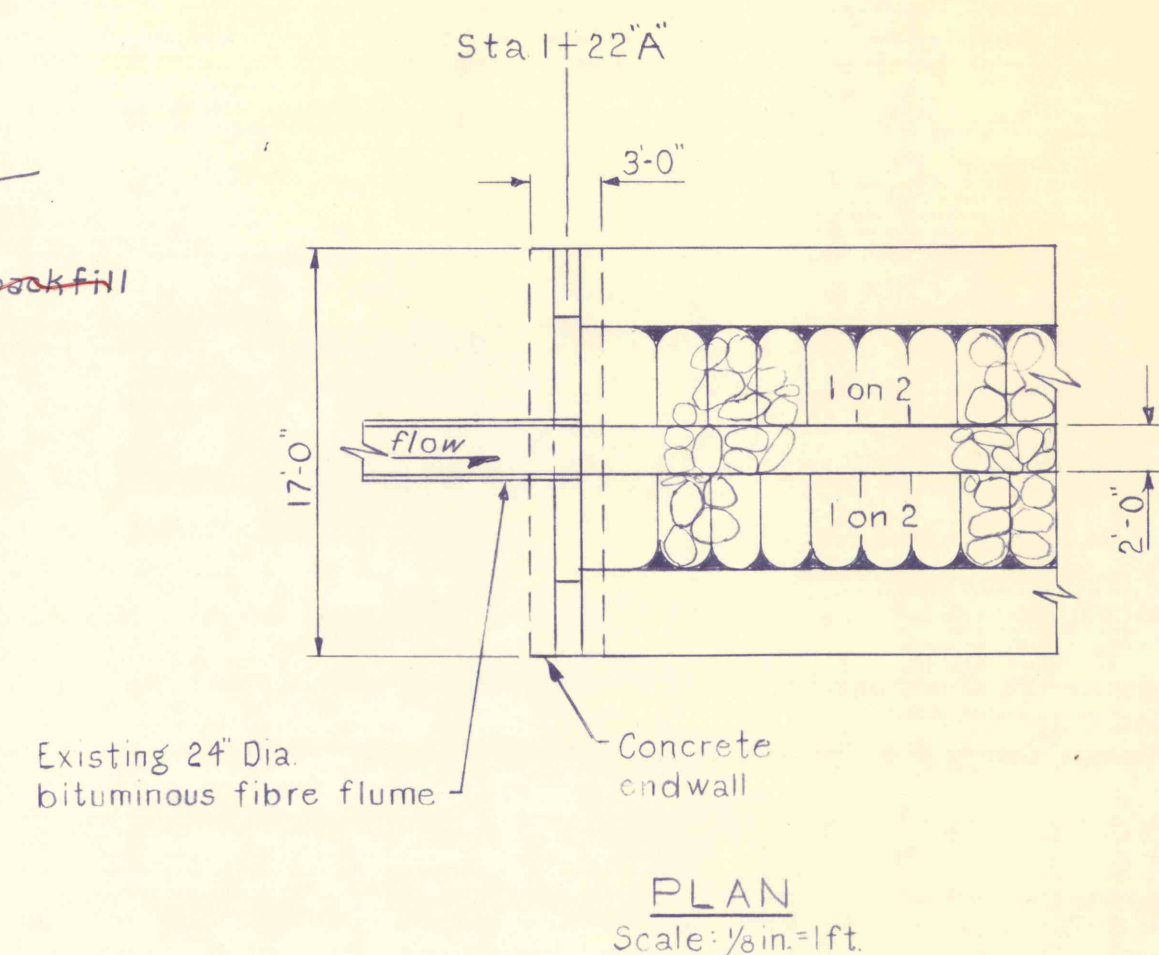
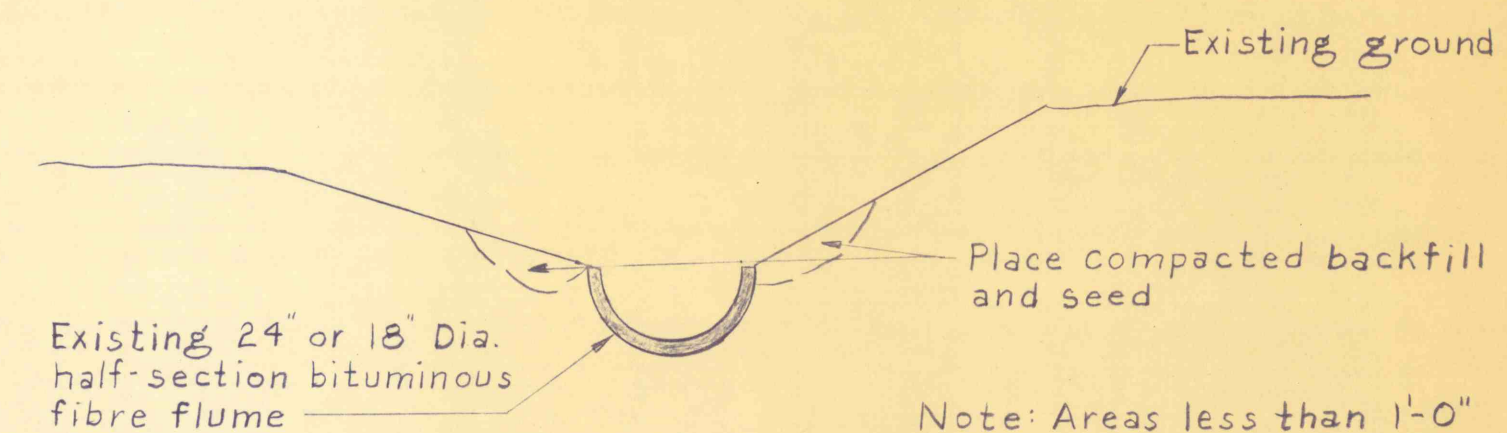
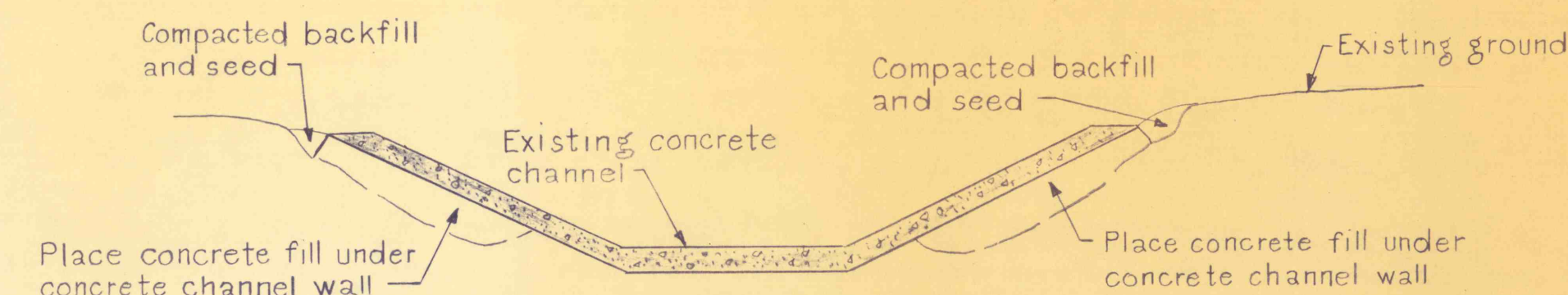


RIPRAP CHANNEL WITH IMPERVIOUS SOIL LINING
Scale: 3/8 in. = 1 ft.

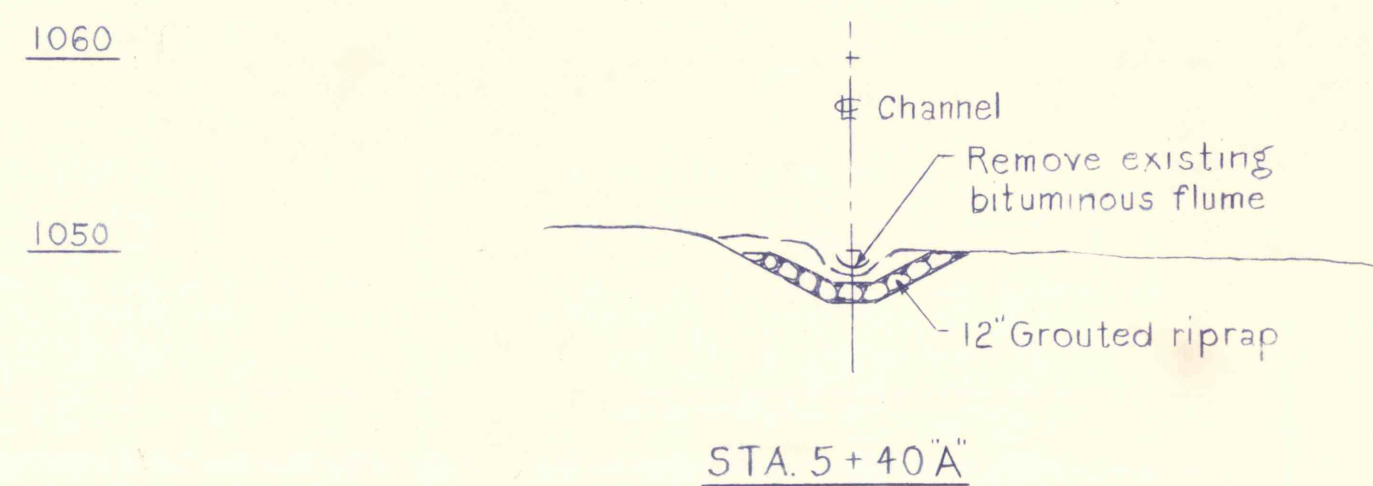


PLAN
Scale: 1/8 in. = 1 ft.

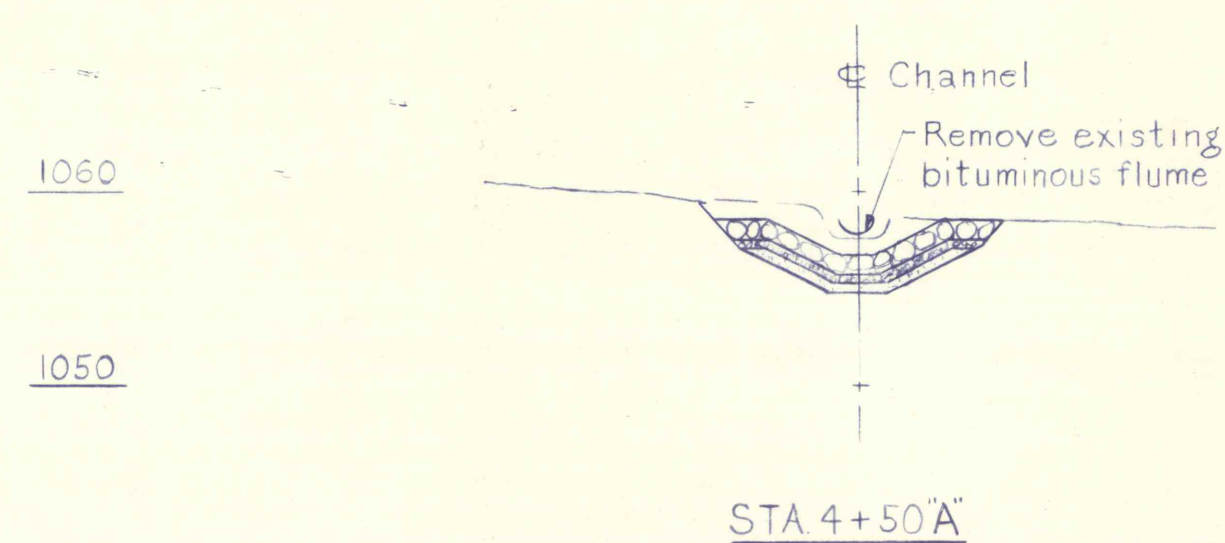


Note: Areas less than 1'-0" in width must be excavated to 1'-0". Clear all loose debris and stones before backfilling.

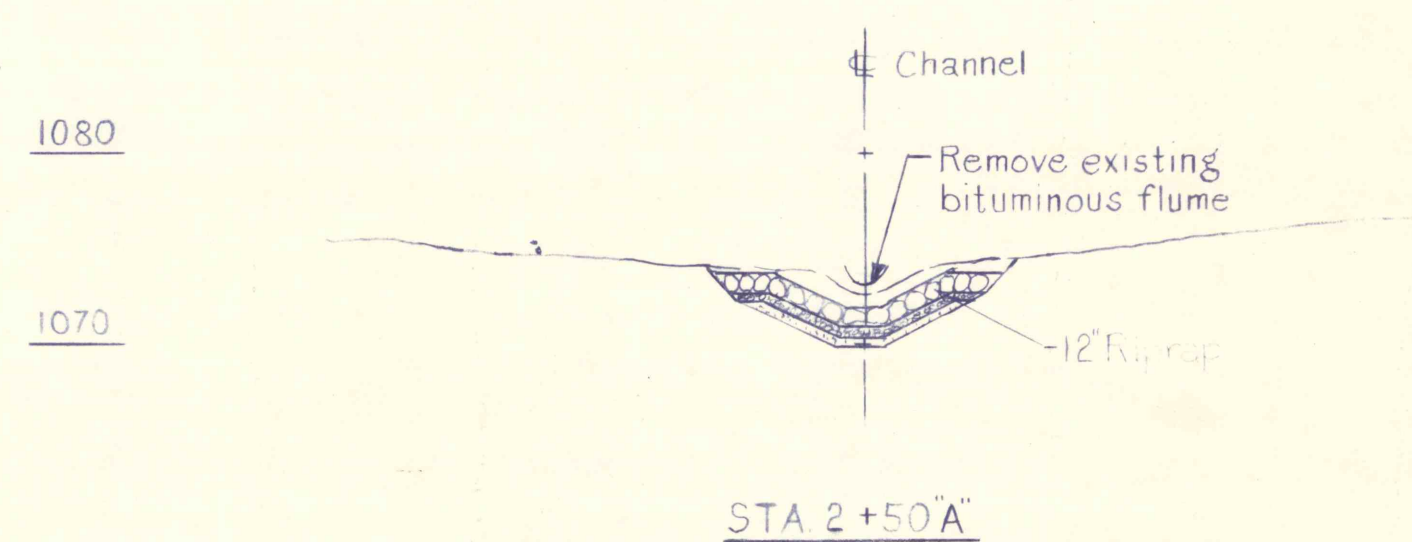
REMEDIAL WORK-TYPICAL DETAILS
No Scale



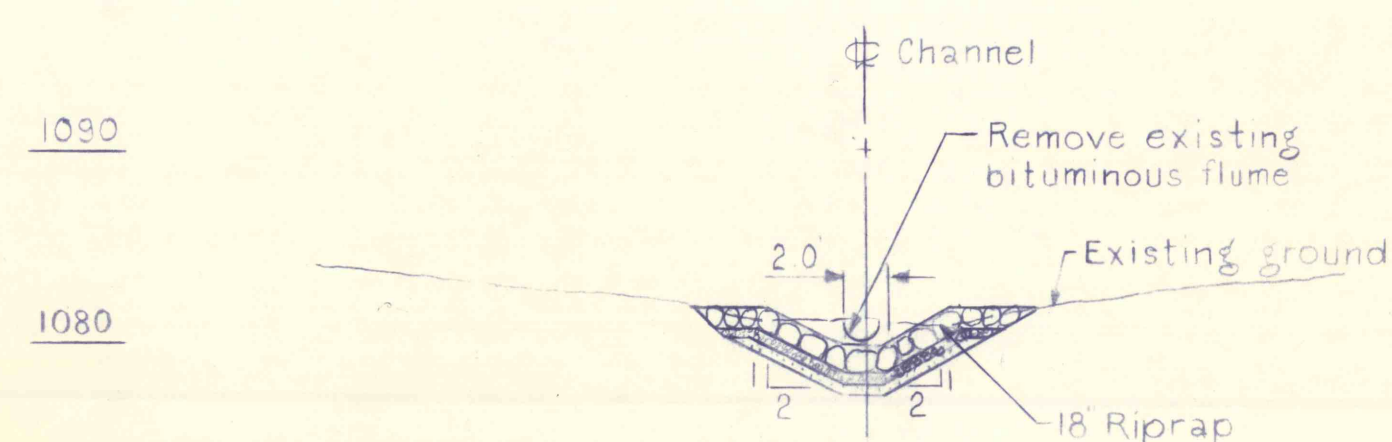
STA. 5+40\"/>



STA. 4+50\"/>



STA. 2+50\"/>

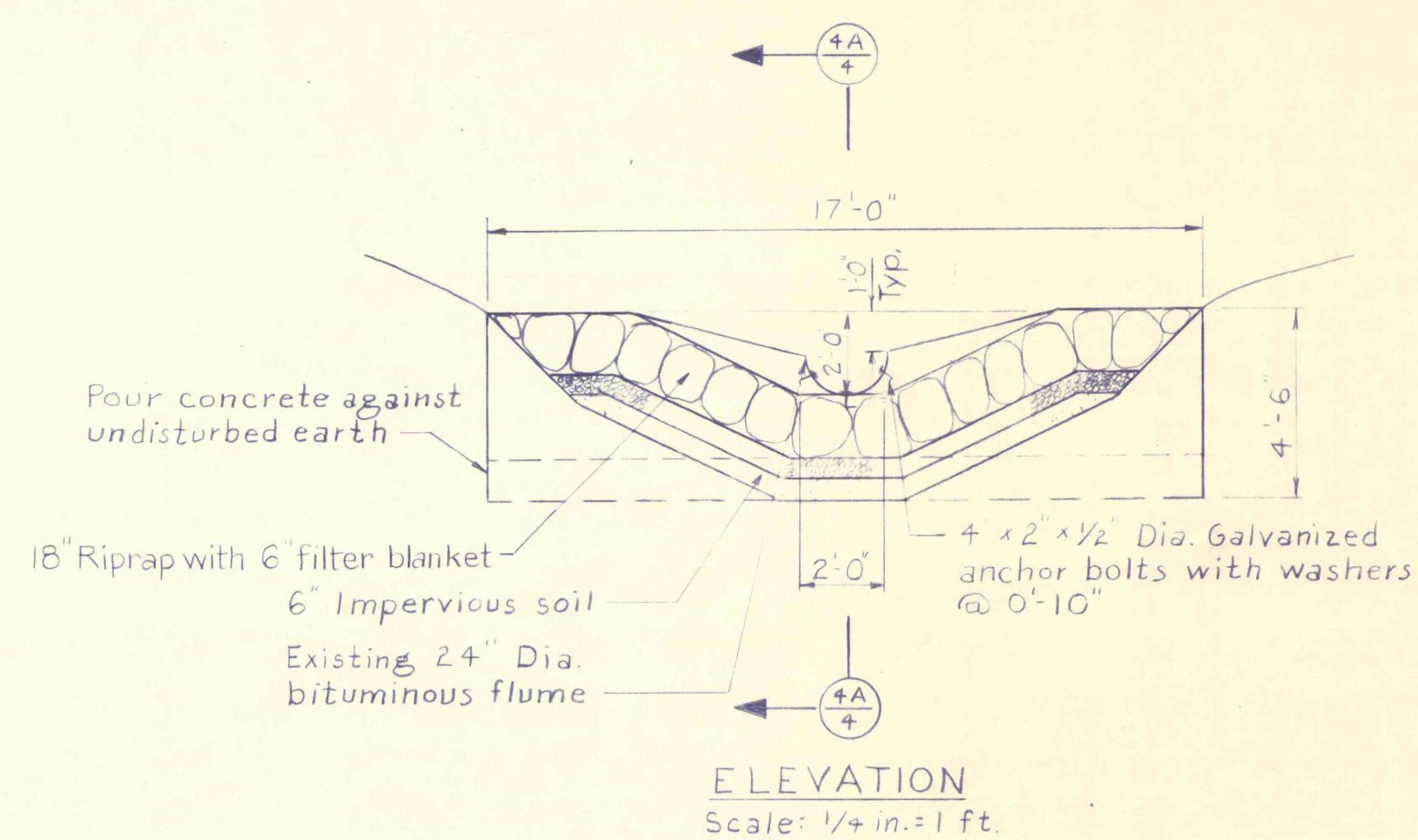


STA. 1+30\"/>

CROSS SECTIONS
RIPRAP CHANNEL

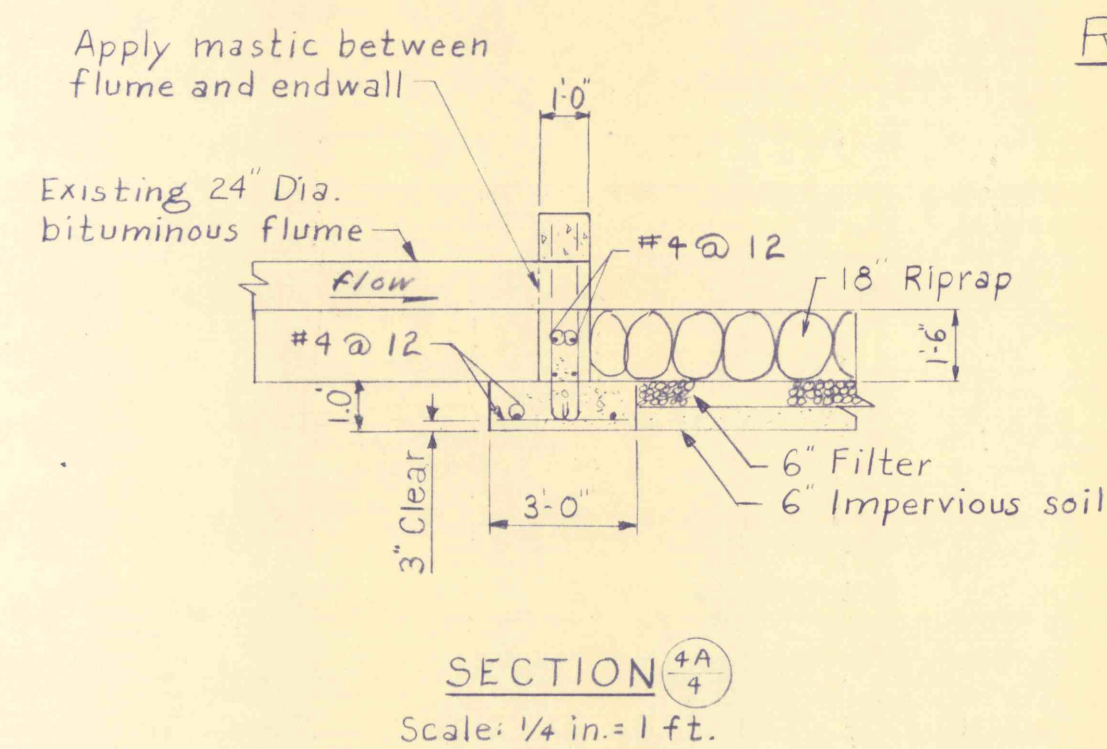
Scale: 1 in. = 10 ft.

Note: For detail dimensions see Typical Section this drawing



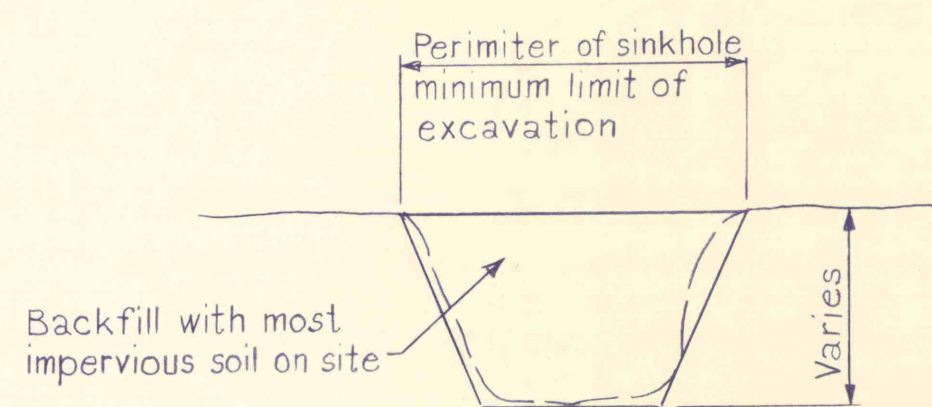
ELEVATION
Scale: 1/4 in. = 1 ft.

CONCRETE ENDWALL



SECTION 4A-4
Scale: 1/4 in. = 1 ft.

Note: Shading denotes existing structures.



SINKHOLE GRADING DETAIL
No scale

NOTES:

1. For General Notes see Dwg. No. 2.
2. For Plan and Profile see Dwg. No. 3.
3. Chamfer all exposed edges of concrete structure, horizontal and vertical joints 3/4\"/>

NO.	DATE	REVISION	APPR.
SUBMITTED			
PROJECT CO-ORDINATOR			
APPROVED			
CHIEF-DIVISION OF MINE RECLAMATION			
APPROVED			
DIRECTOR-BUREAU OF DESIGN			

PRE FINAL

COMMONWEALTH OF PENNSYLVANIA
DEPARTMENT OF ENVIRONMENTAL RESOURCES
OFFICE OF RESOURCES MANAGEMENT

CONTRACT NO. SL 126-2-7/9 R

MINE DRAINAGE POLLUTION ABATEMENT
REMEDIAL WORK
SWATARA CREEK WATERSHED

FRAILLY TOWNSHIP SCHUYLKILL CO. PA.

MARTINS RUN
CROSS SECTIONS AND DETAILS

DRAWN BY	DATE	DRAWING NO.
CHECKED BY	SCALE	4 of 12
	As shown	