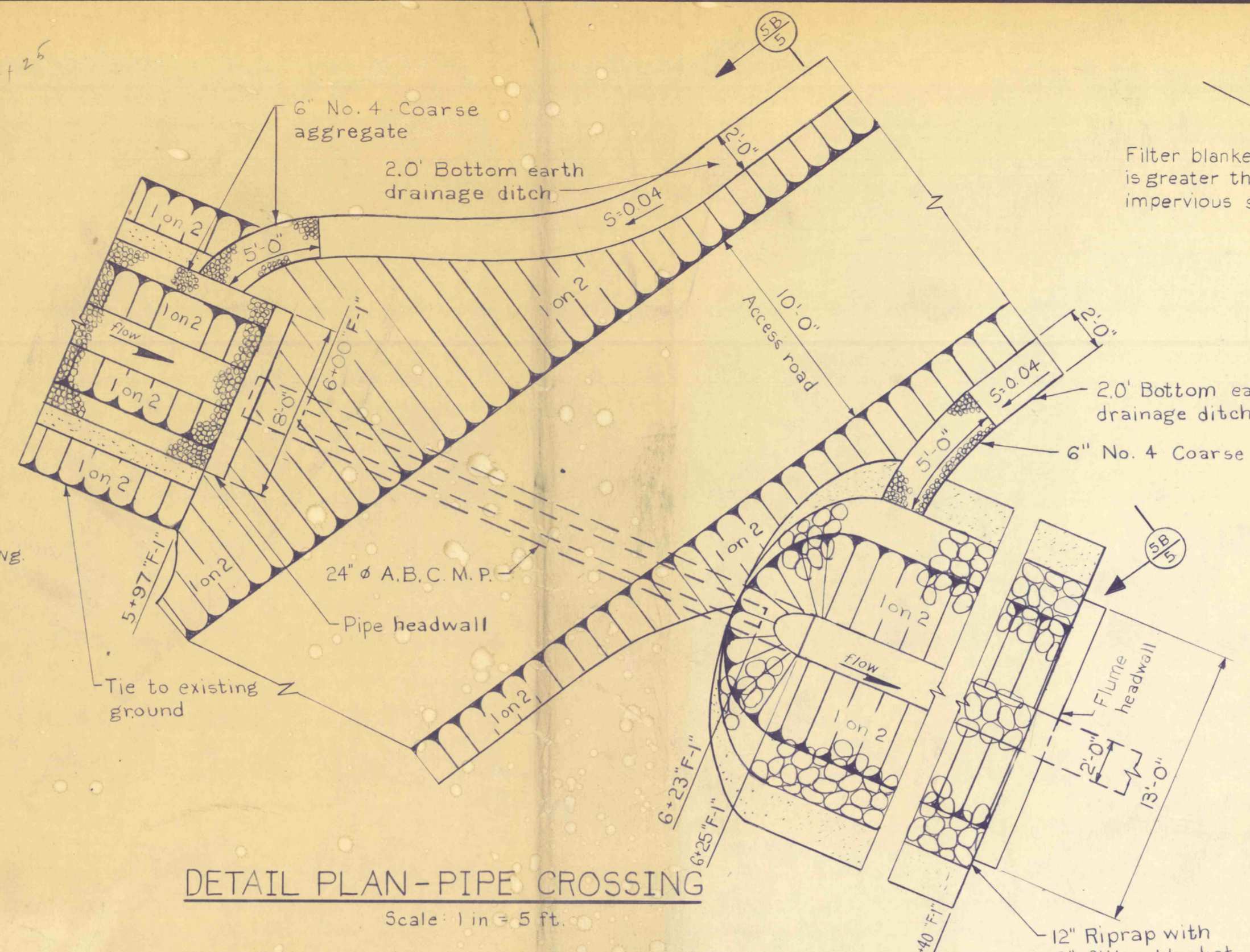
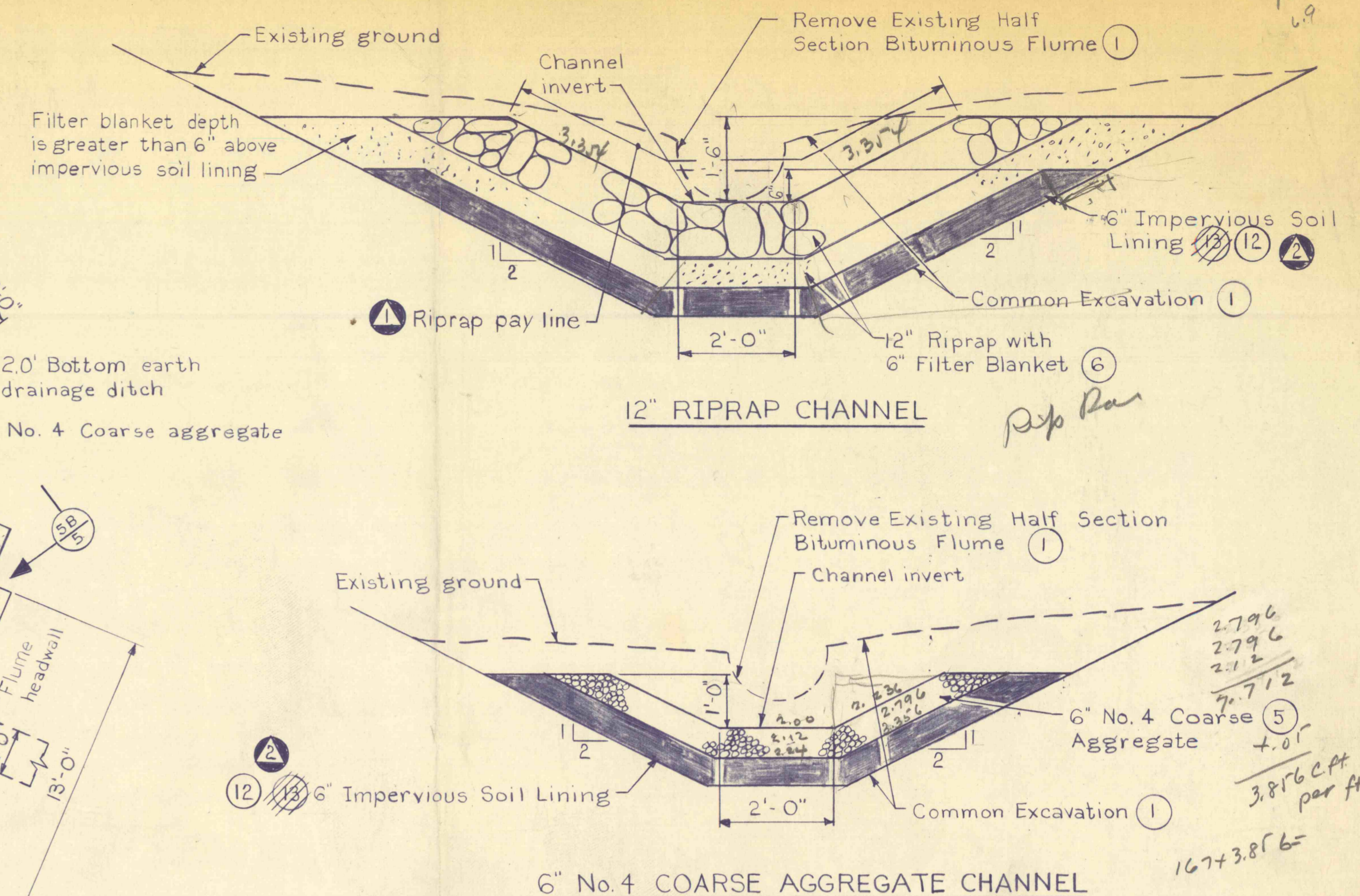


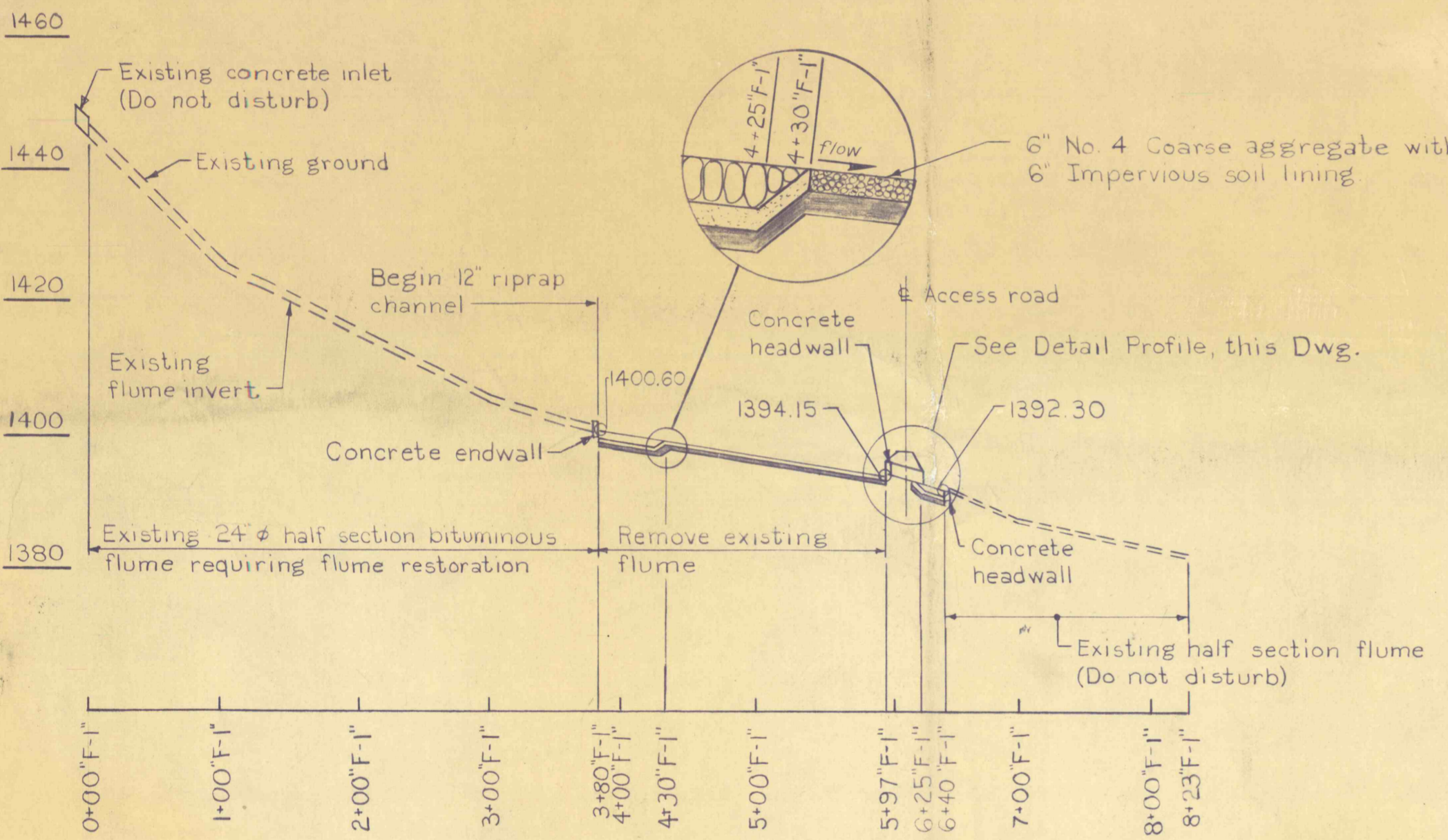
PLAN - CHANNEL "F-1"
 Scale: 1 in. = 100 ft.



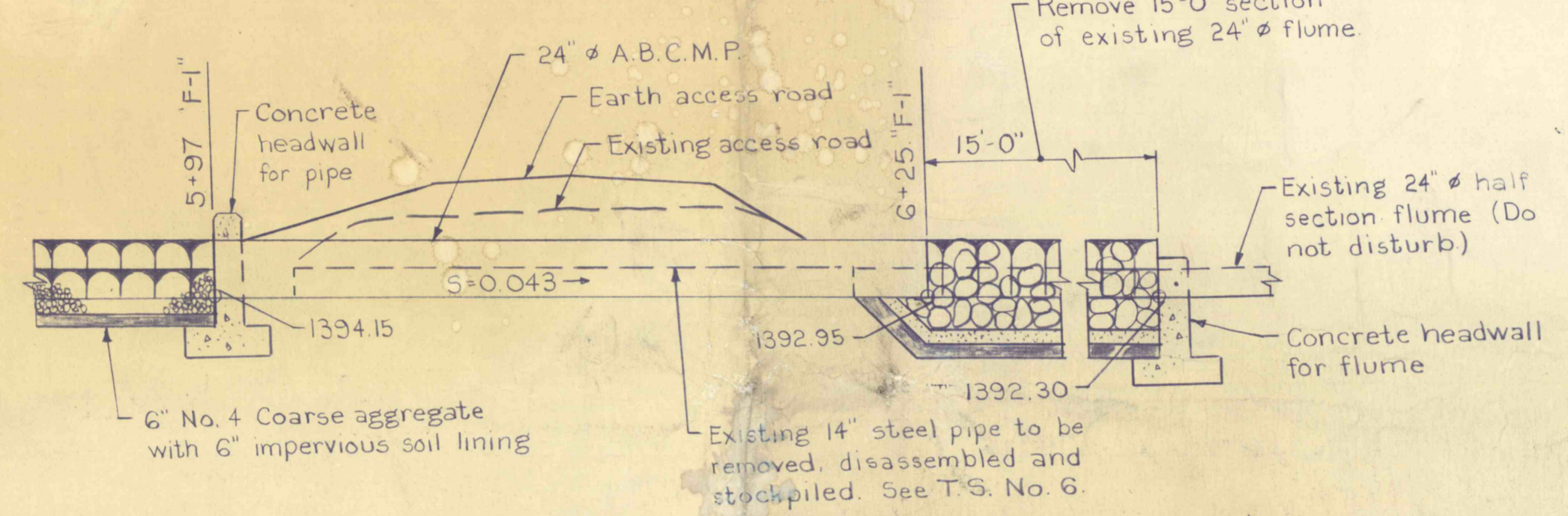
DETAIL PLAN - PIPE CROSSING
 Scale: 1 in. = 5 ft.



TYPICAL SECTIONS
 Scale: 1/2 in. = 1 ft.

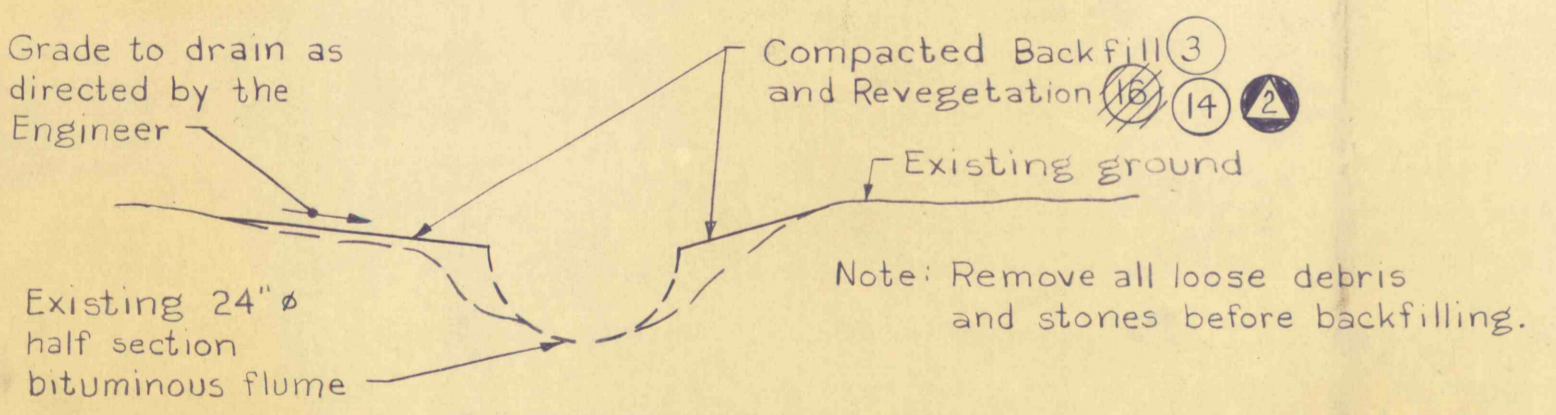


PROFILE - CHANNEL "F-1"
 Scale: Hor. 1 in. = 100 ft.
 Vert. 1 in. = 20 ft.

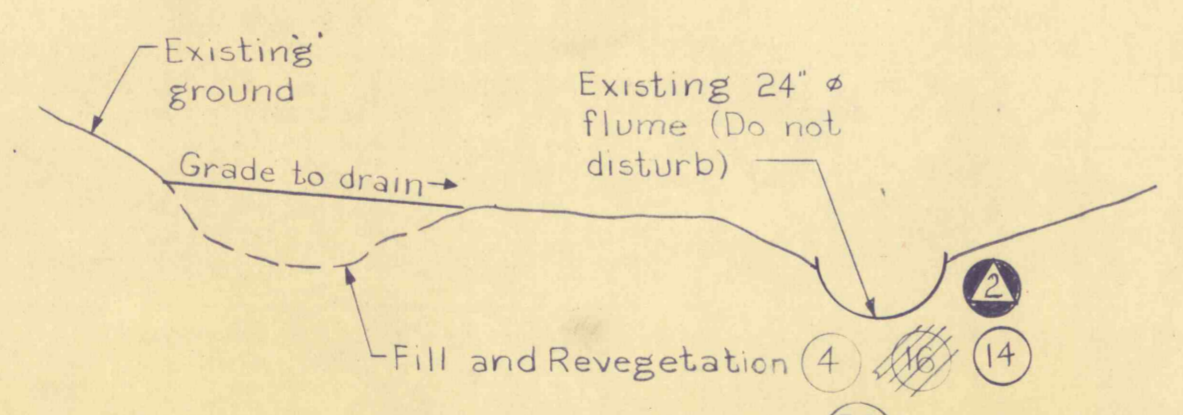


DETAIL PROFILE - PIPE CROSSING
 No scale

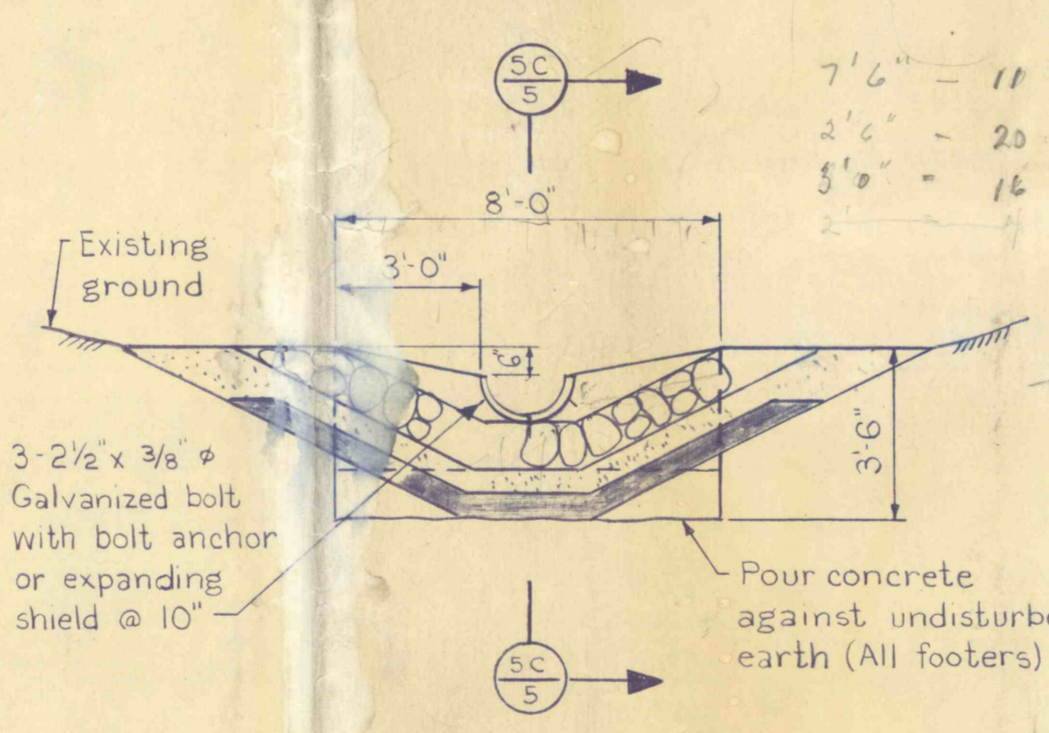
- NOTES:
 1. For General Notes, see Dwg. No. 2 of 7
- CONCRETE NOTES:
 1. Chamfer all exposed edges of concrete structures 3/4 inch.
 2. All steel reinforcement is 2" clear (edge of steel to surface of concrete) unless otherwise noted.
 3. All reinforcing steel is #4 @ 12" payment will be made under item No. 10



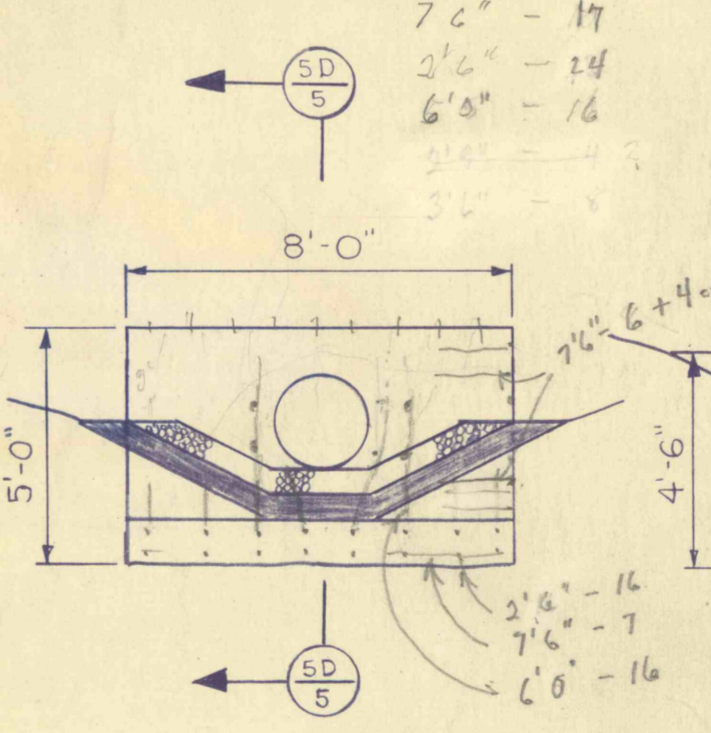
FLUME RESTORATION TYPICAL SECTION
 No scale



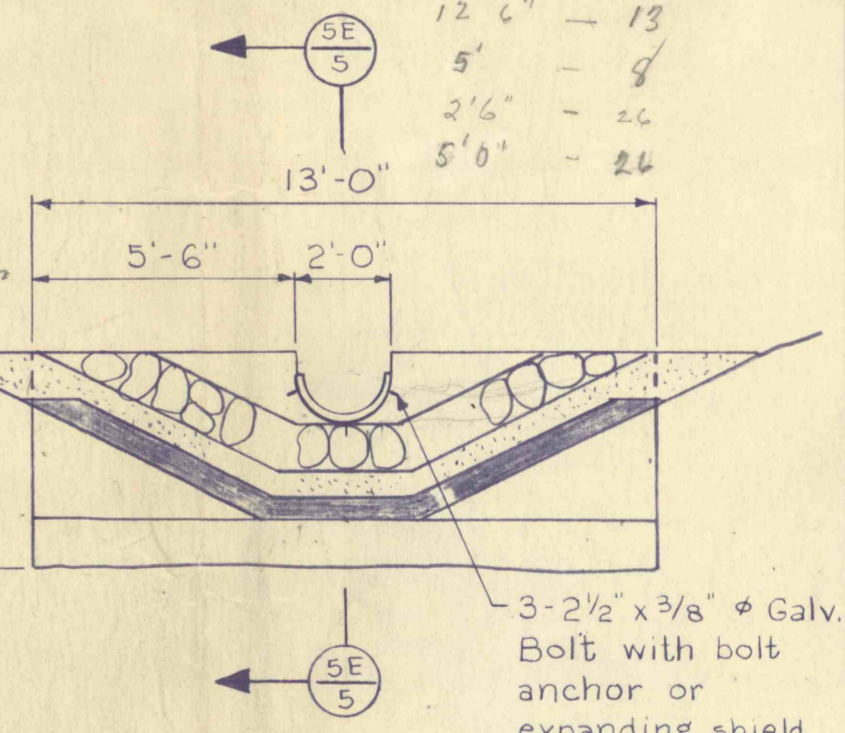
SECTION 5A



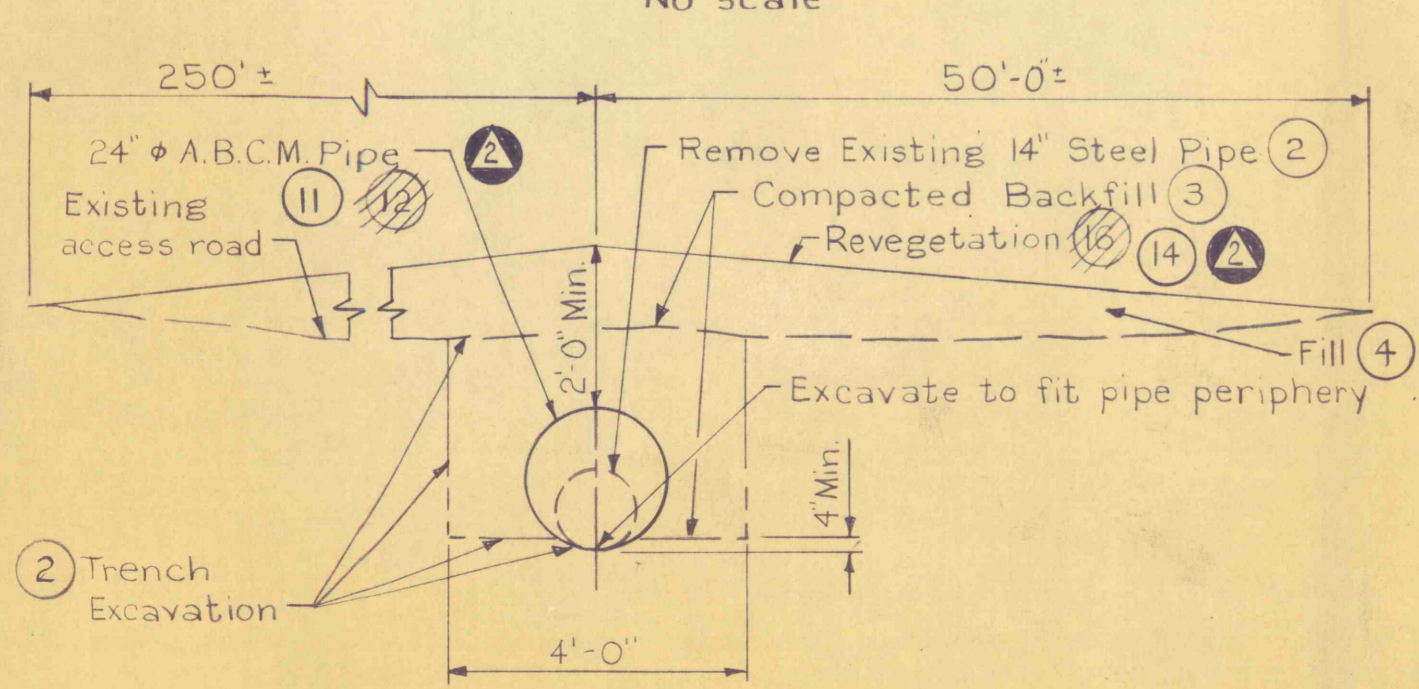
ELEVATION 5C



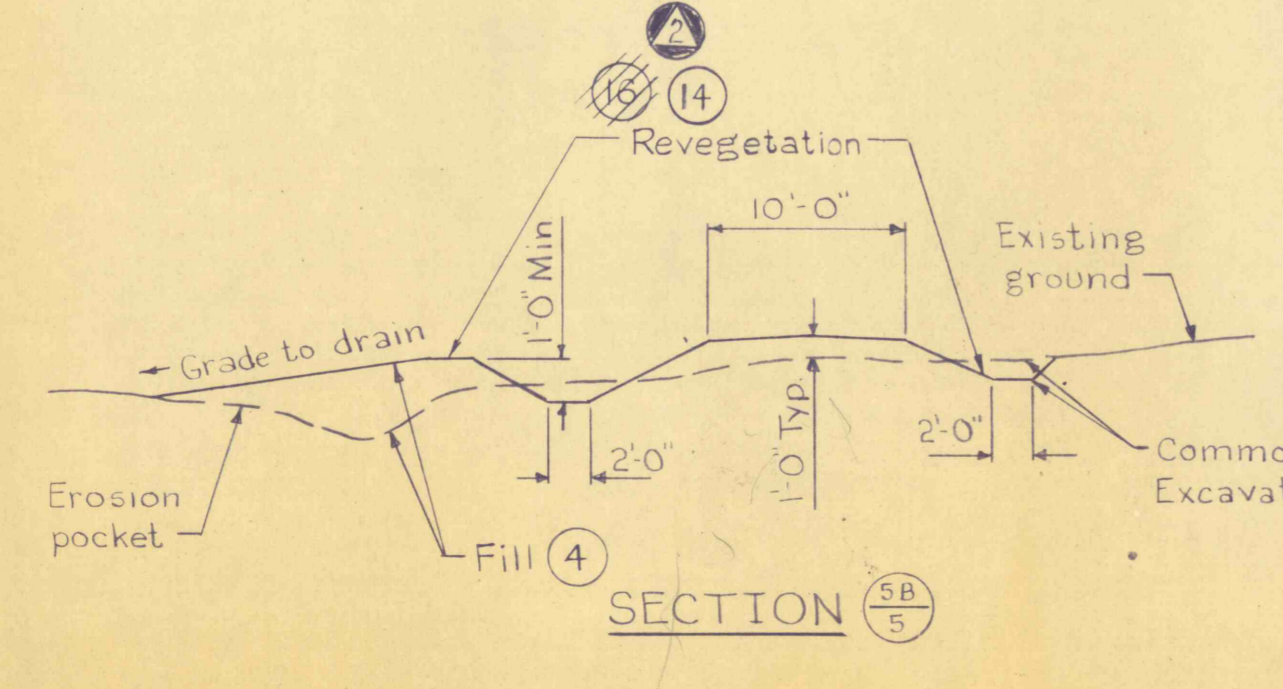
ELEVATION 5D



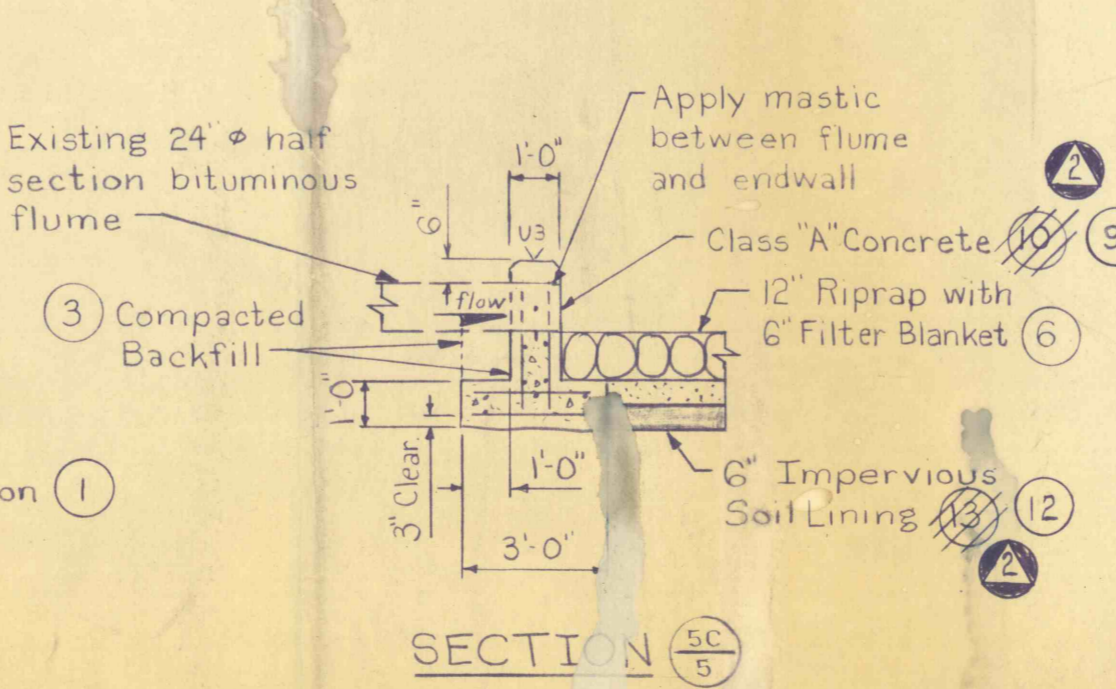
ELEVATION 5E



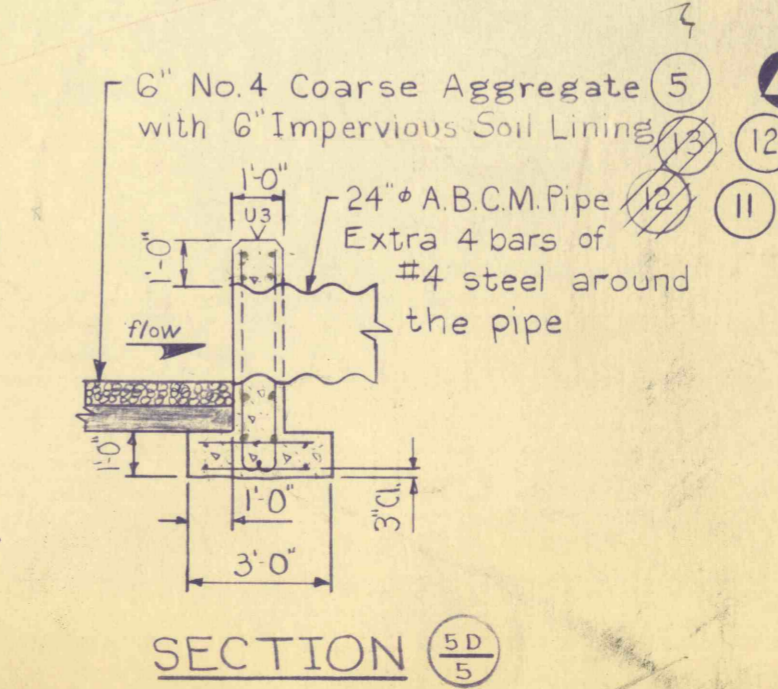
PIPE BEDDING DETAIL
 No scale



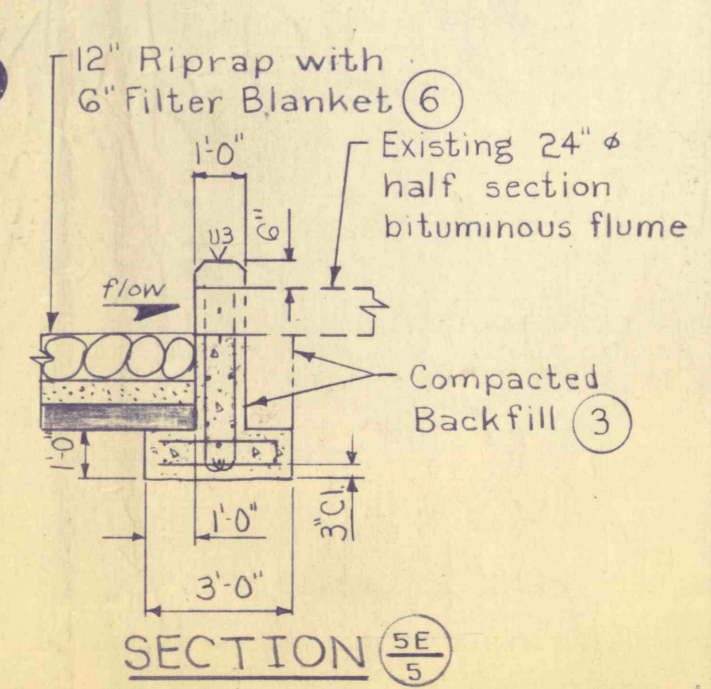
SECTION 5B



SECTION 5C
 FLUME END WALL
 Scale: 1/4 in. = 1 ft.



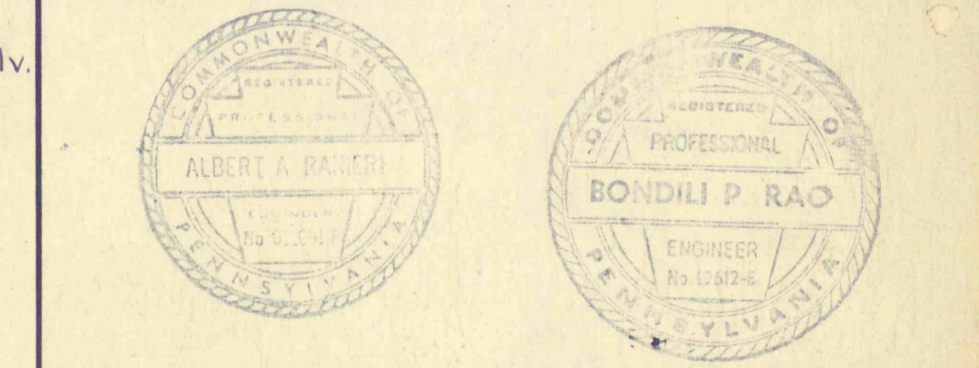
SECTION 5D
 PIPE HEADWALL
 Scale: 1/4 in. = 1 ft.



SECTION 5E
 FLUME HEADWALL
 Scale: 1/4 in. = 1 ft.

NO.	DATE	REVISION	APPR.
62078		Revised payment item number	PRC
62078		Riprap pay line added	PRC

SUBMITTED			
BPRao PROJECT CO-ORDINATOR			
APPROVED			
Albert C. Papani CHIEF DIVISION OF MINE RECLAMATION			
APPROVED			
Albert C. Papani DIRECTOR - BUREAU OF DESIGN			



COMMONWEALTH OF PENNSYLVANIA
 DEPARTMENT OF ENVIRONMENTAL RESOURCES
 OFFICE OF RESOURCES MANAGEMENT

CONTRACT NO. SL 126 - 2 - 7/9F

MINE DRAINAGE POLLUTION ABATEMENT
 REMEDIAL WORK
 SWATARA CREEK WATERSHED

FRAILEY AND REILLY TOWNSHIPS SCHUYLKILL CO., PA.

CHANNEL "F-1"
 PLAN, PROFILE AND SECTIONS

DRAWN BY	DATE	DRAWING NO.
M.K.A.	25 May 78	5 of 7
CHECKED BY	SCALE	
PRC	As shown	