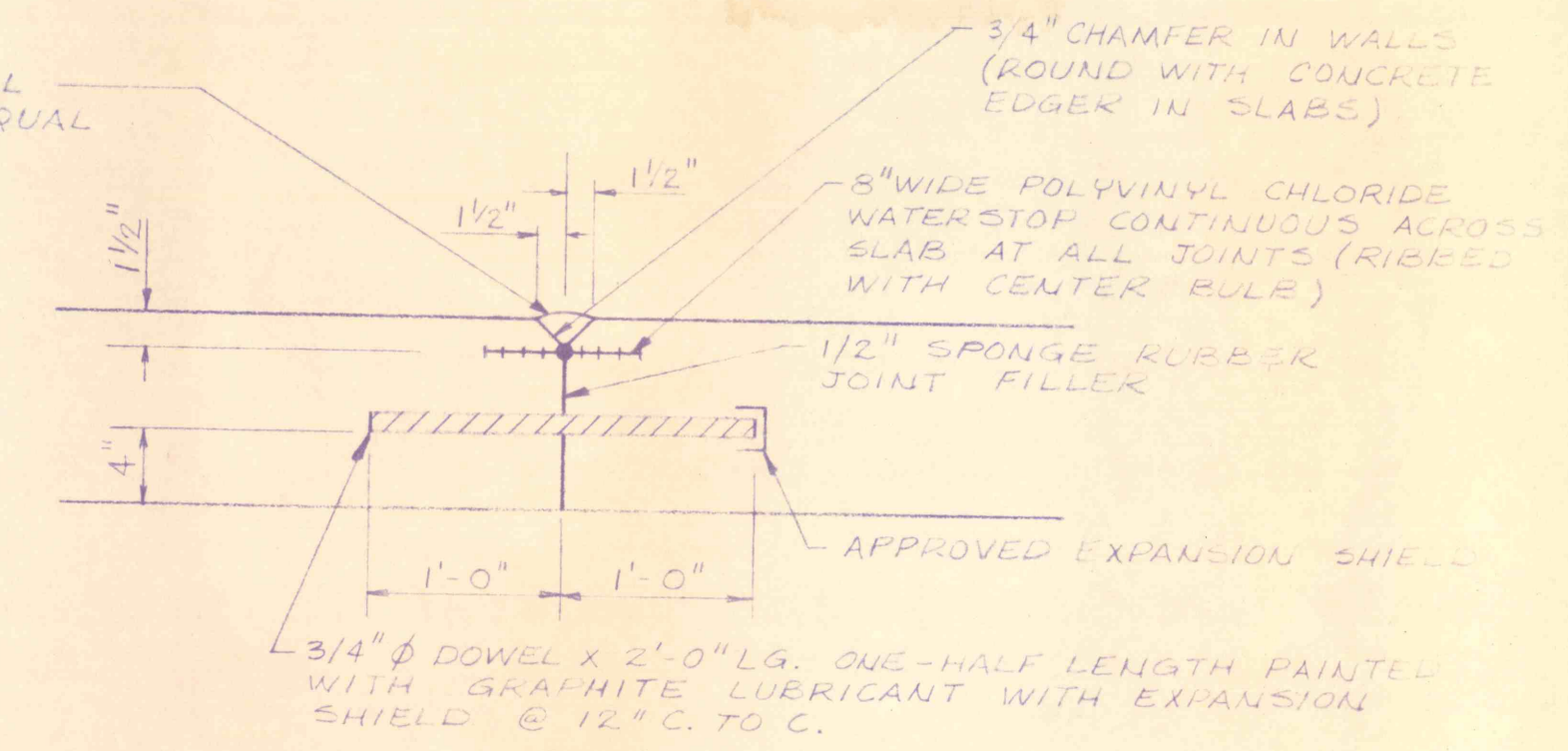
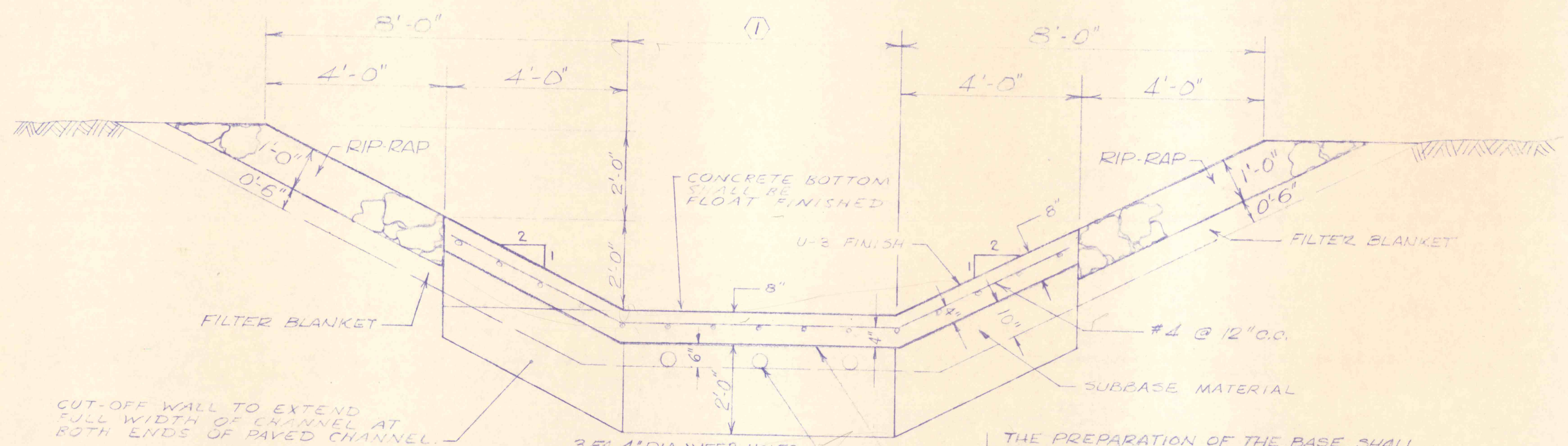


CHANNEL PROFILE

SCALE: HOR. 1" = 50'-0"
VERT. 1" = 10'-0"



EXPANSION JOINT - 90' SPACING
NO SCALE

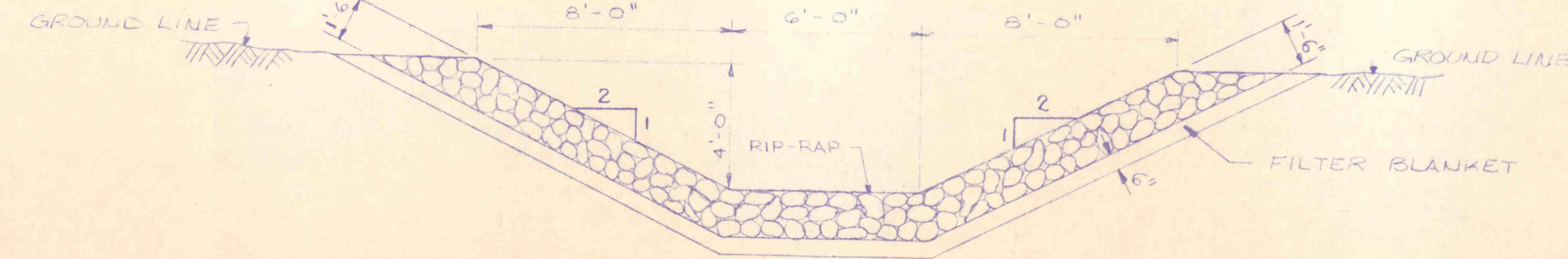


REINFORCED CONCRETE CHANNEL
TYPICAL SECTION

SCALE: 1" = 2'-0"

NOTE:

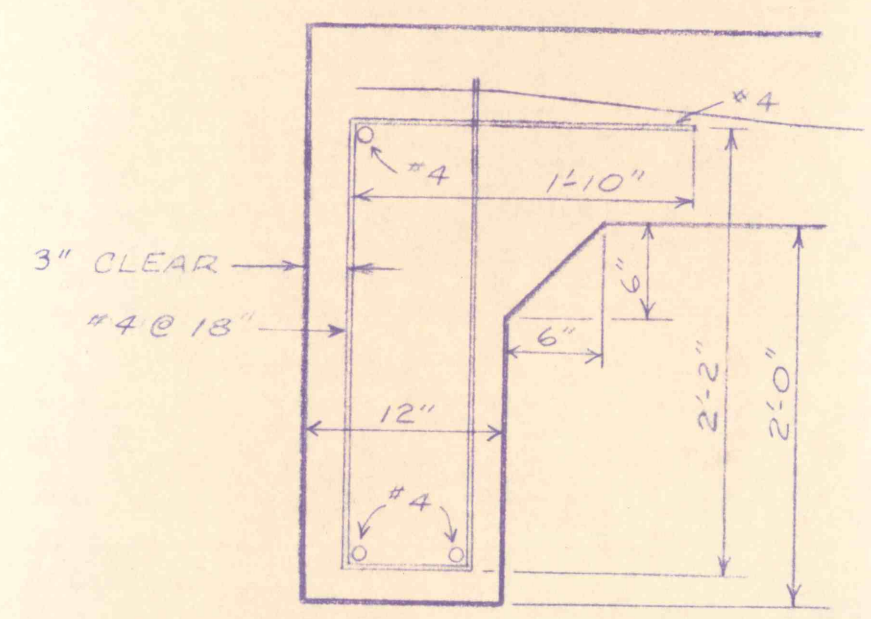
① = 6'-0" WIDTH FROM STA 21+12 TO STA 28+66.
VARIABLE 6'-0" TO 14'-0" WIDTH FROM STA. 29+46
TO STA. 28+66.



TYPICAL SECTION - RIP-RAP

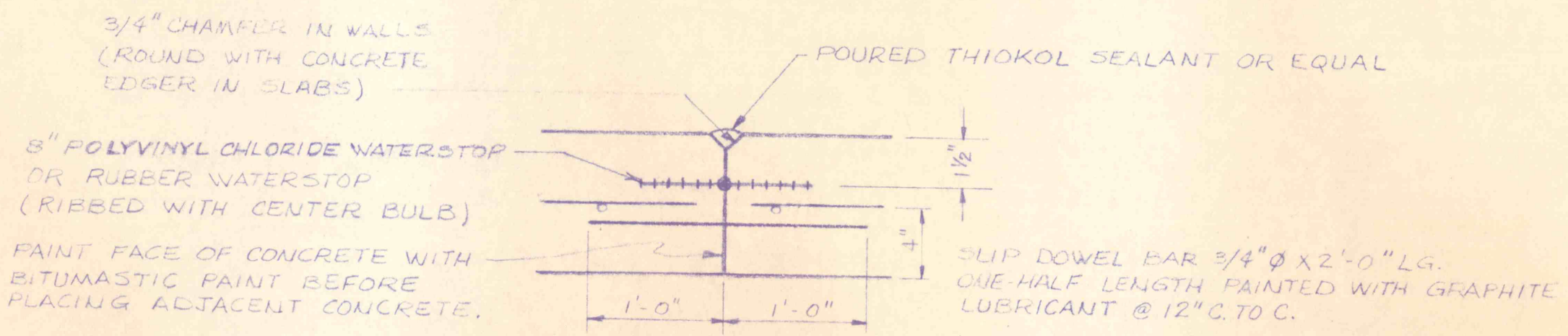
STA 20+62 TO STA 21+12

SCALE: 1" = 4'-0"



CUT-OFF WALL DETAIL

NO SCALE



CONTRACTION JOINT - 30' SPACING

NO SCALE

NO	DATE	REVISION	BY
SUBMITTED			
PROFESSIONAL			
APPROVED			
CHIEF - DIVISION OF MINE REclamation			
APPROVED			
DIRECTOR - BUREAU OF			
COMMONWEALTH OF PENNSYLVANIA			
DEPARTMENT OF ENVIRONMENTAL RESOURCES			
OFFICE OF RESOURCES MANAGEMENT			
PROJECT NO. SL-126-1-5			
MINE DRAINAGE POLLUTION ABATEMENT			
SWATARA CREEK WATERSHED			
SCHUYLKILL COUNTY, PENNSYLVANIA			
NICHOLAS-COWLEY BROSCH ASSOCIATES			
3300 NORTH THIRD STREET			
HARRISBURG, PENNSYLVANIA 17110			
UPPER SWATARA CREEK			
PROFILE & SECTION			
DRAWN BY	DATE	DRAWING NO.	
BENJ	Jan. 11, 1974		
CHECKED BY	SCALE		
HPC	As shown		