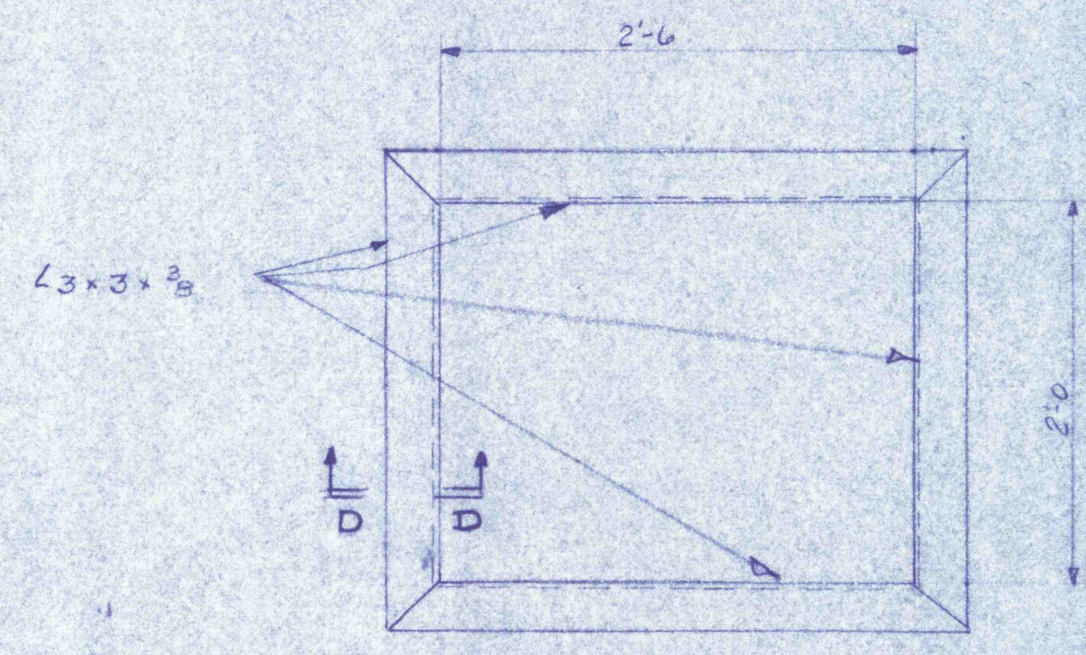
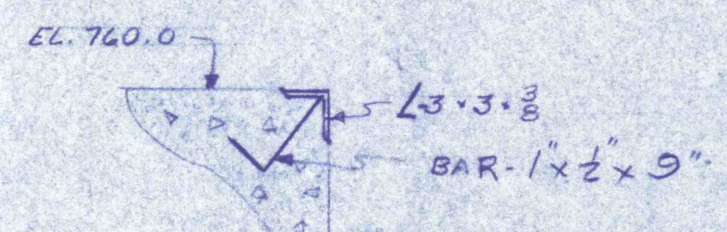


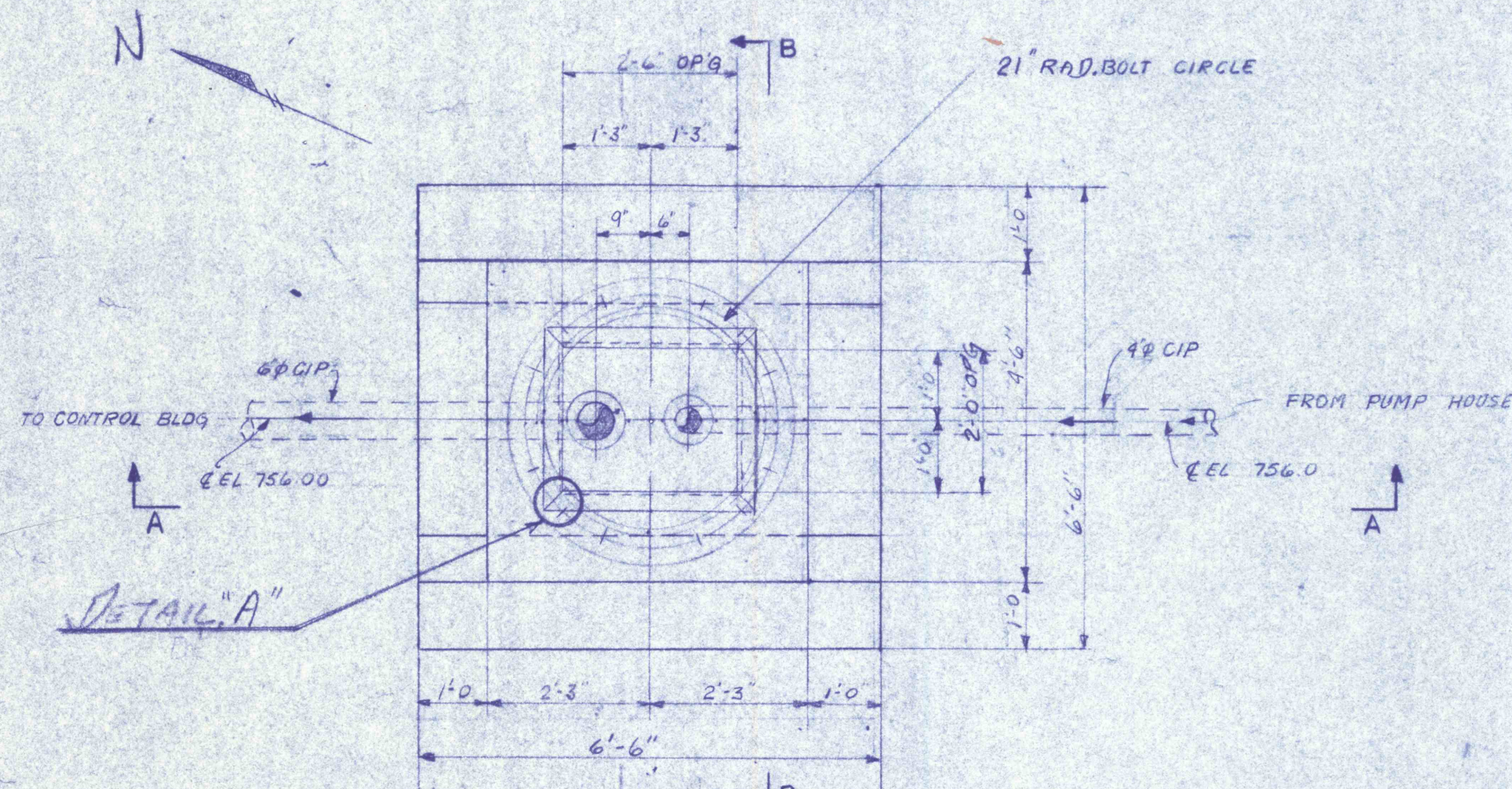
CAPACITY - 100,000 GALLONS
 TANK DIAMETER - 28'-0"
 RISER DIAMETER - 5'-0"
 COLUMN DIAMETER - 1'-4"
 BALCONY WIDTH - 3'-0"
 PIER TO BOTTOM OF TANK CAPACITY - 100'-0"
 PIER TO TOP OF TANK CAPACITY - 124'-0"



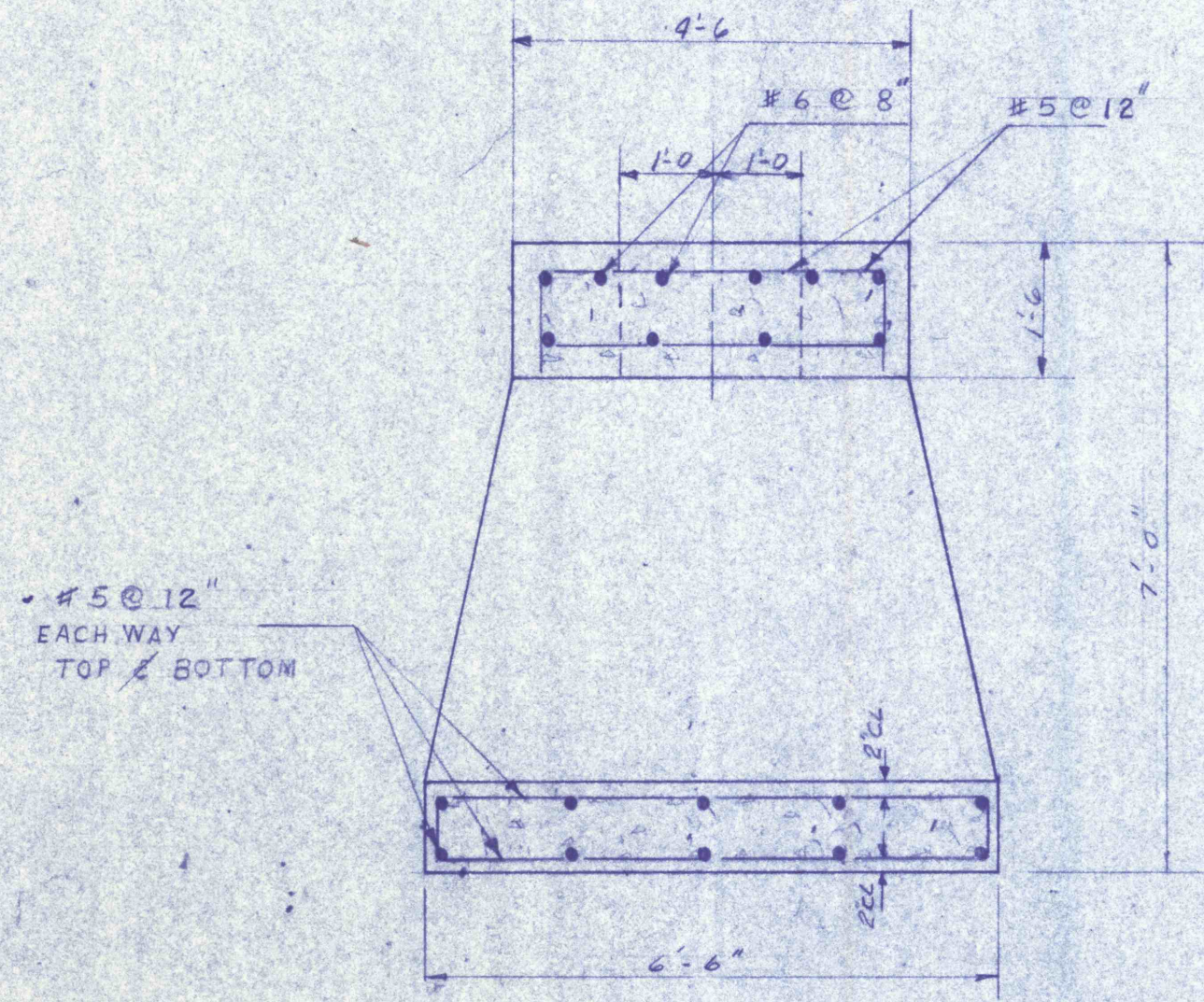
DETAIL A
 SCALE 1" = 1'-0"



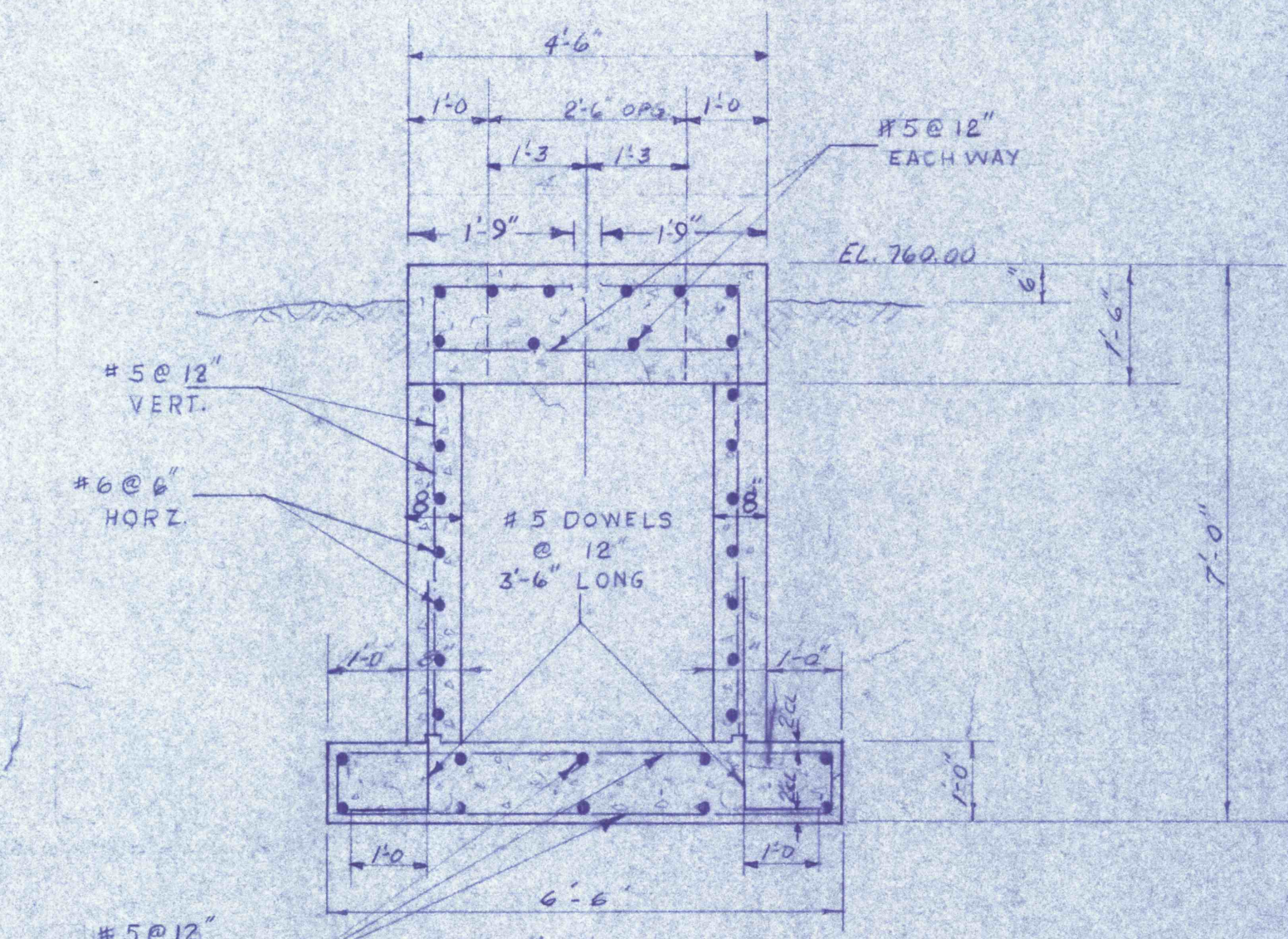
SECTION D-D
 SCALE 1" = 1'-0"



PLAN
 SCALE 1" = 1'-0"

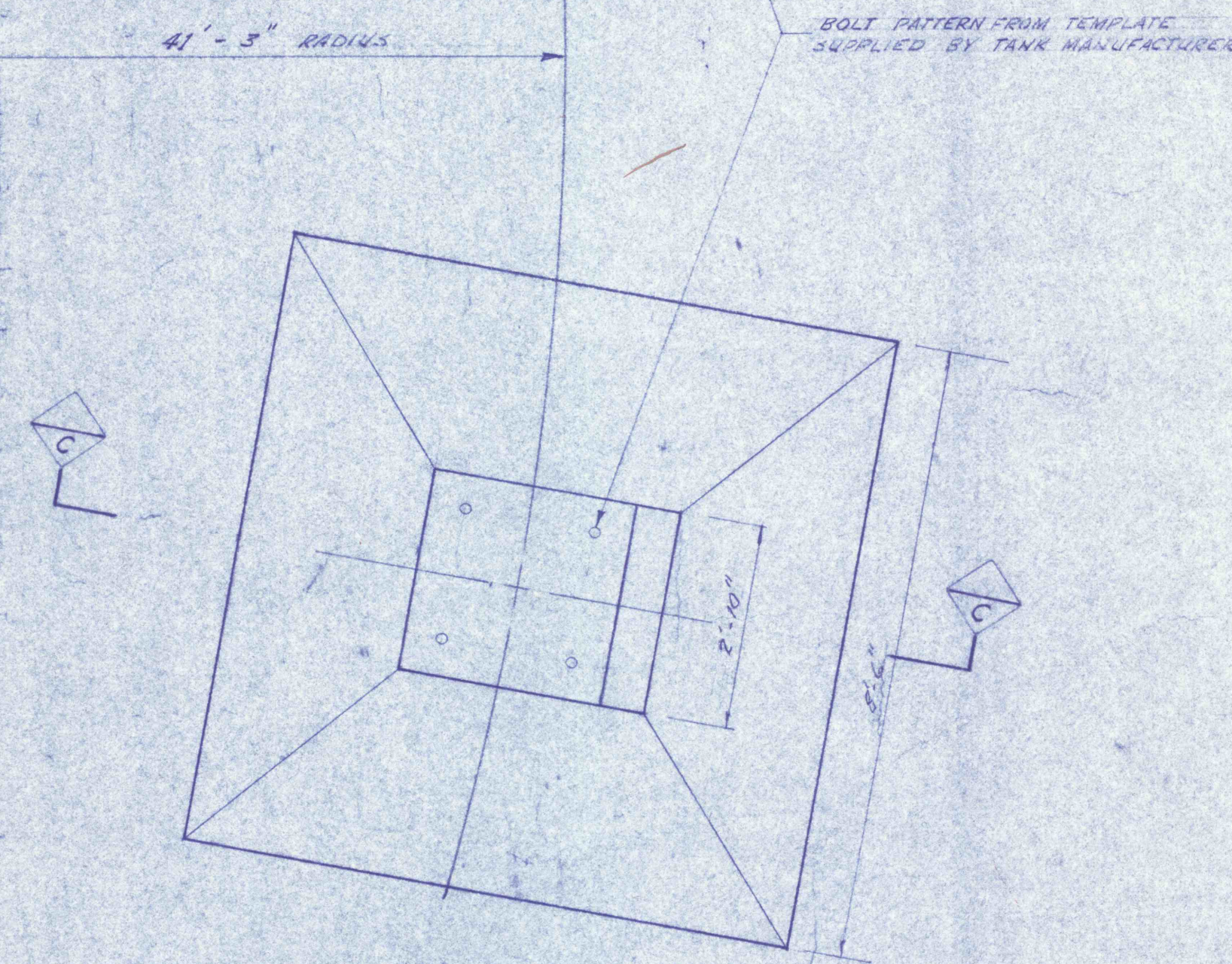
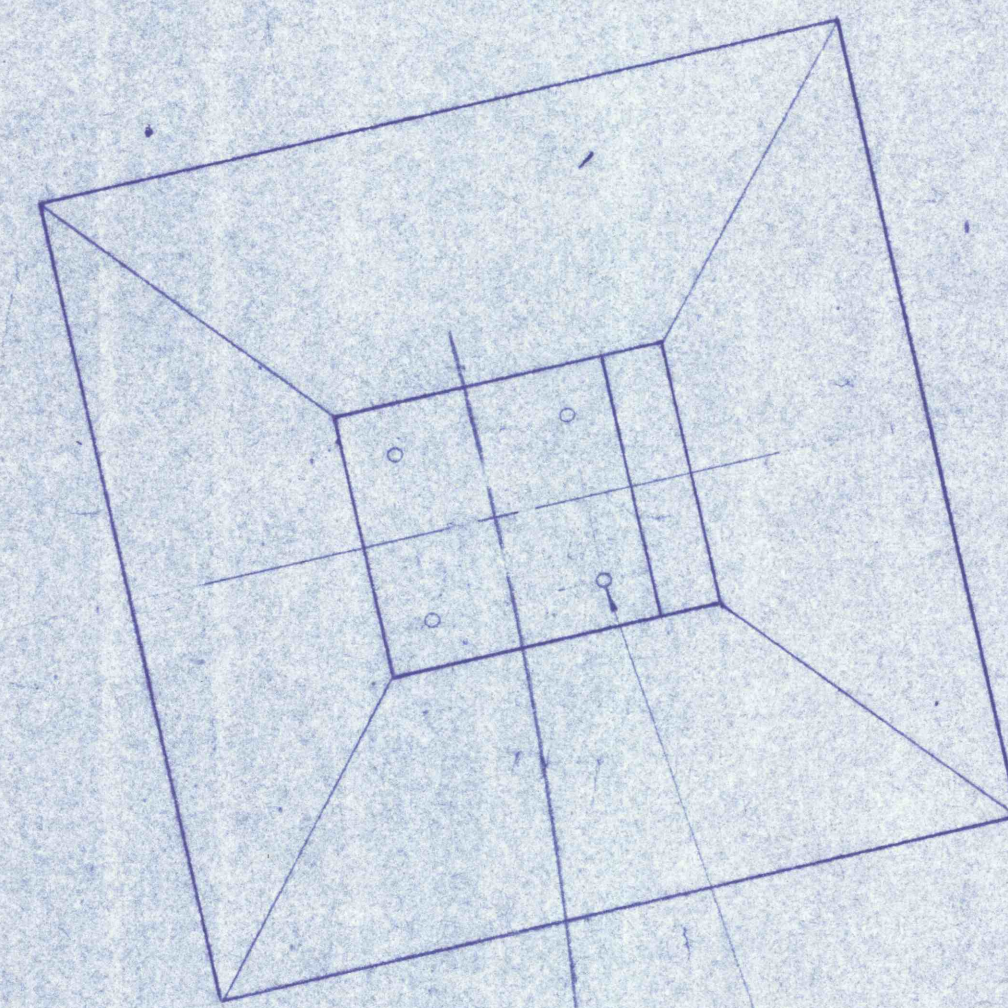


SECTION BB
 SCALE 1/2" = 1'-0"

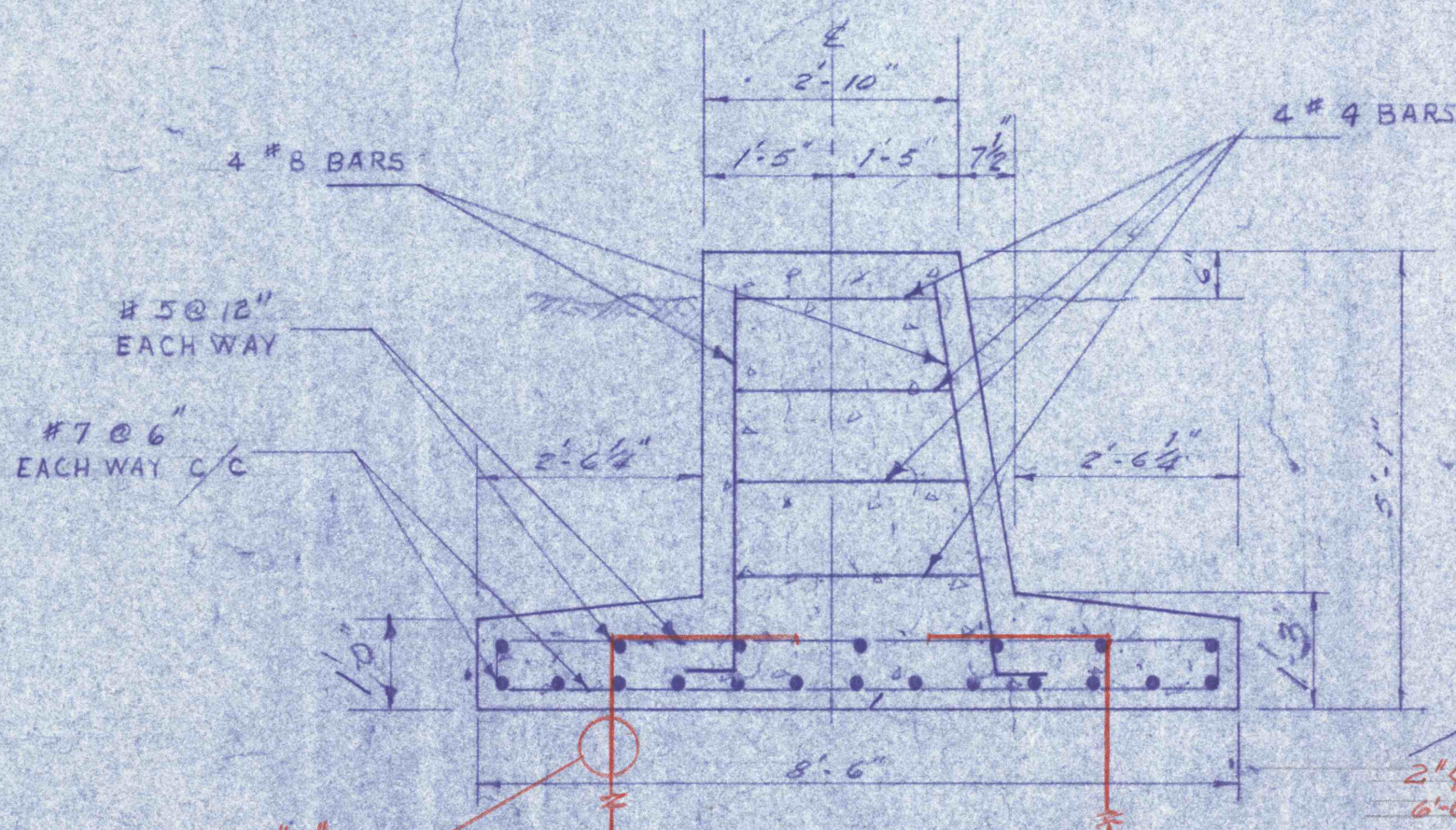


SECTION A-A
 SCALE 1/2" = 1'-0"

CENTER PIER (1 REQUIRED)

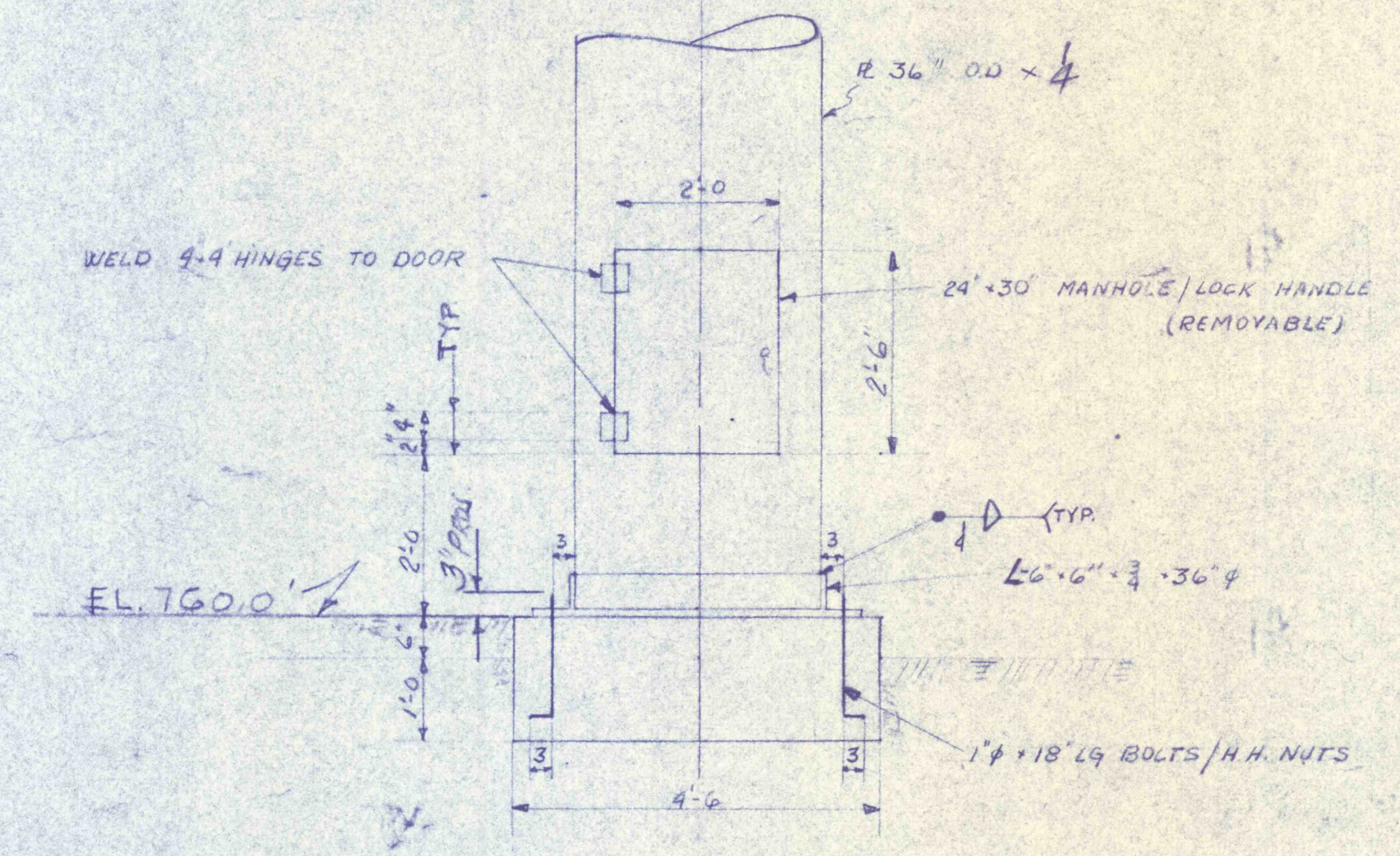


PLAN
 SCALE 1/2" = 1'-0"

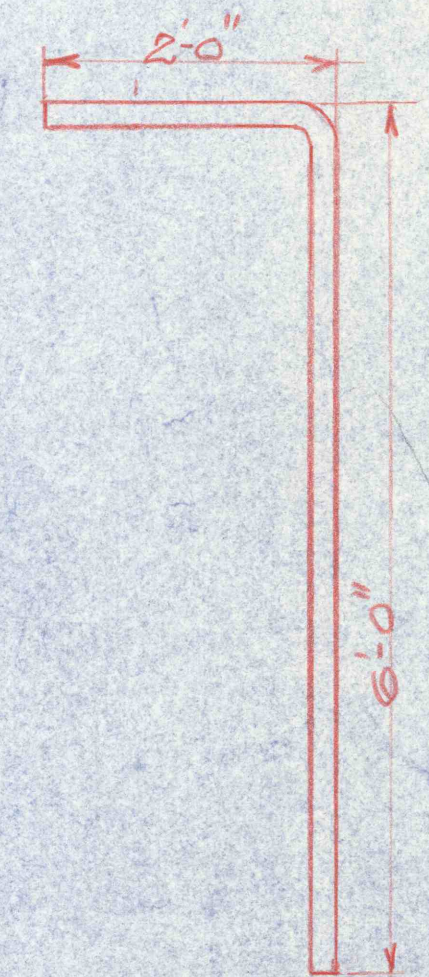


SECTION C-C
 SCALE 1/2" = 1'-0"

COLUMN PIERS (2 REQUIRED)



DETAIL OF STAND PIPE
 SCALE 3/8" = 1'-0"



DETAIL "B"
 FOUNDATION ANCHOR BOLTS

REFERENCE DRAWINGS
 DWG C-1 - PLOT PLAN
 DWG C-2 - GRADING PLAN



REVISIONS		WATER STORAGE TANK	
CONSTRUCTION OF TREATMENT FACILITIES FOR ACID MINE DRAINAGE		JOB NO:	6808
RAUSCH CREEK WATERSHED		DATE:	10-30-69
SCHUYLKILL COUNTY		SCALE:	AS NOTED
ANTHRACITE RESEARCH & DEVELOPMENT CO. INC. consulting engineers		DRAWN:	J.P.M.
POTTSVILLE PENNSYLVANIA TAMAGUA		APPROVED:	P.A.M.
DRAWING NO:		C-36	