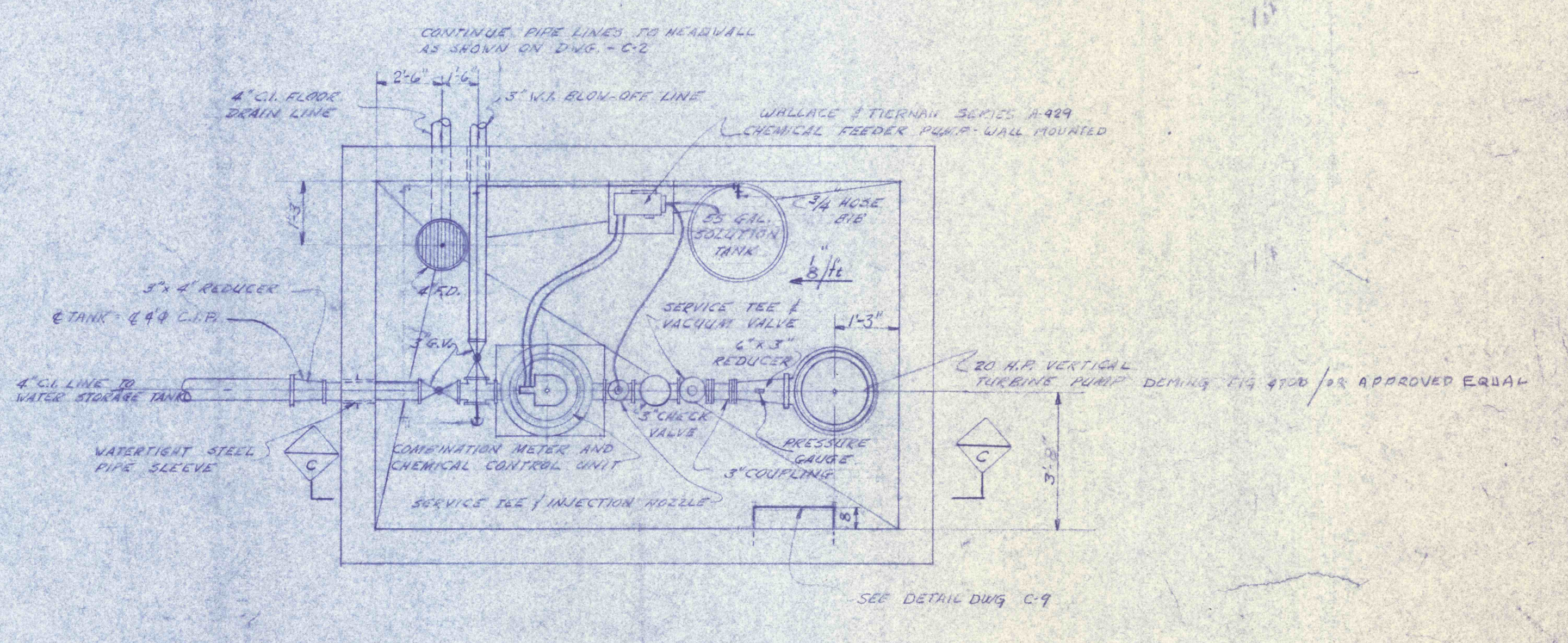
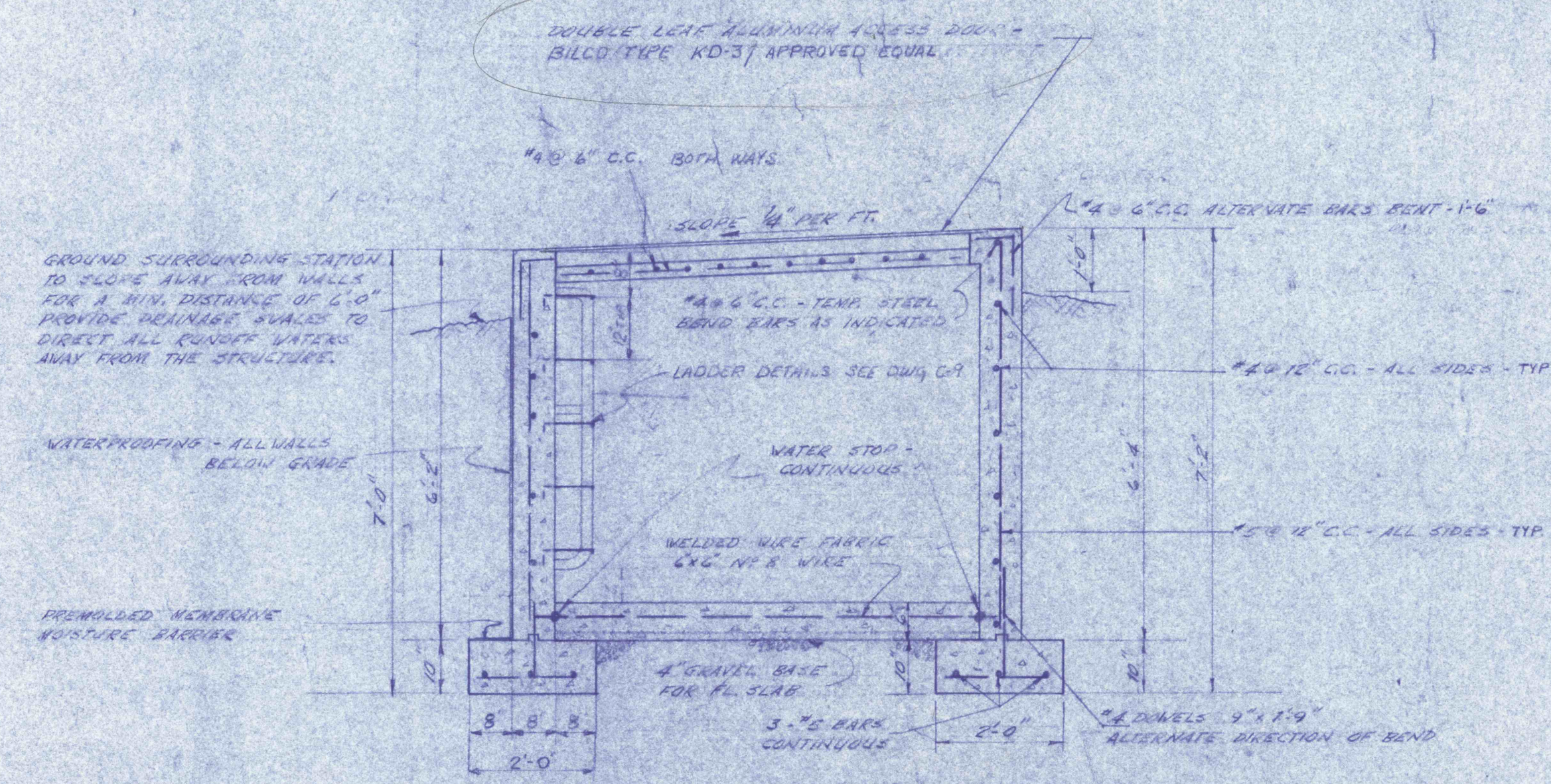
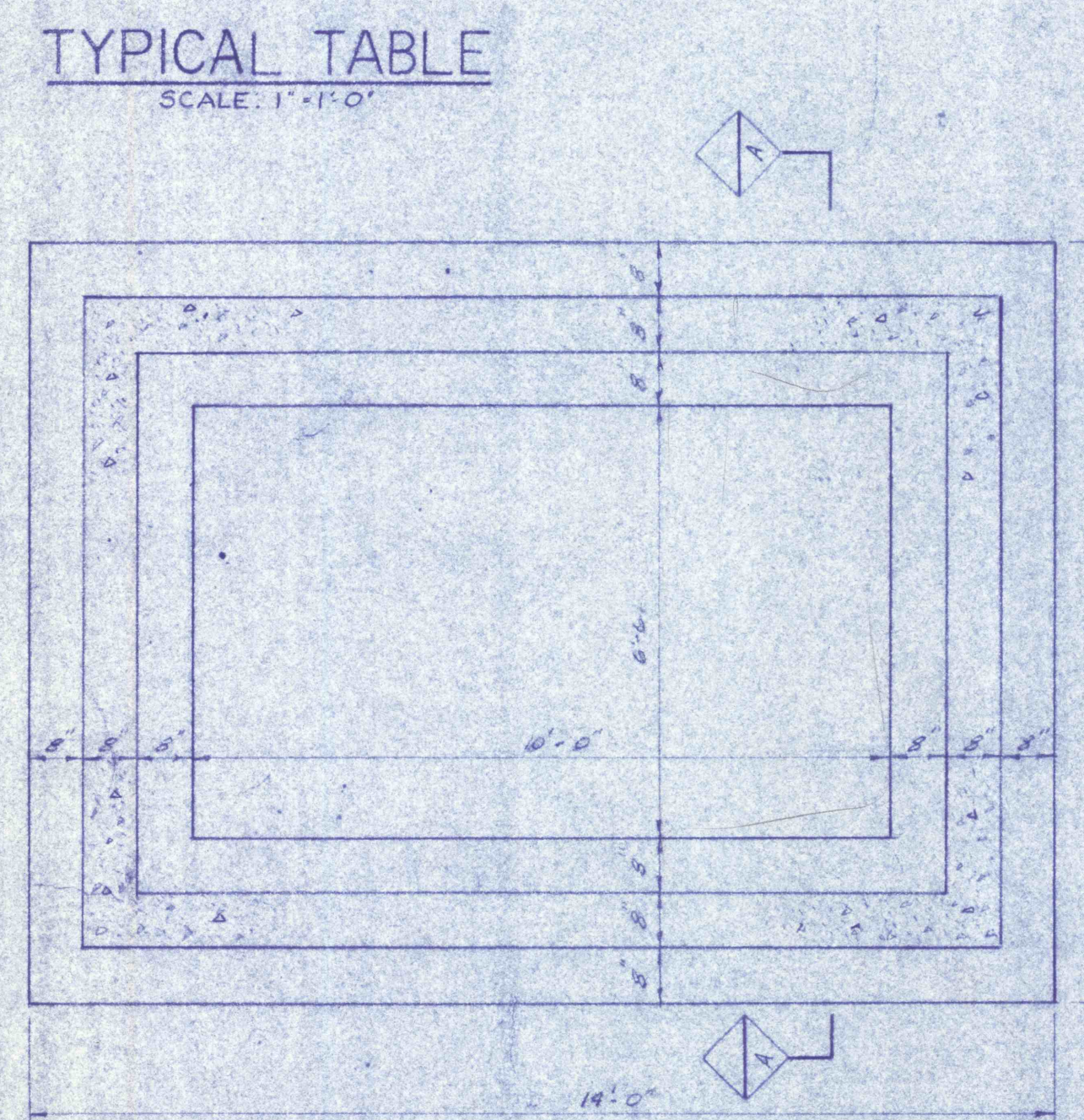
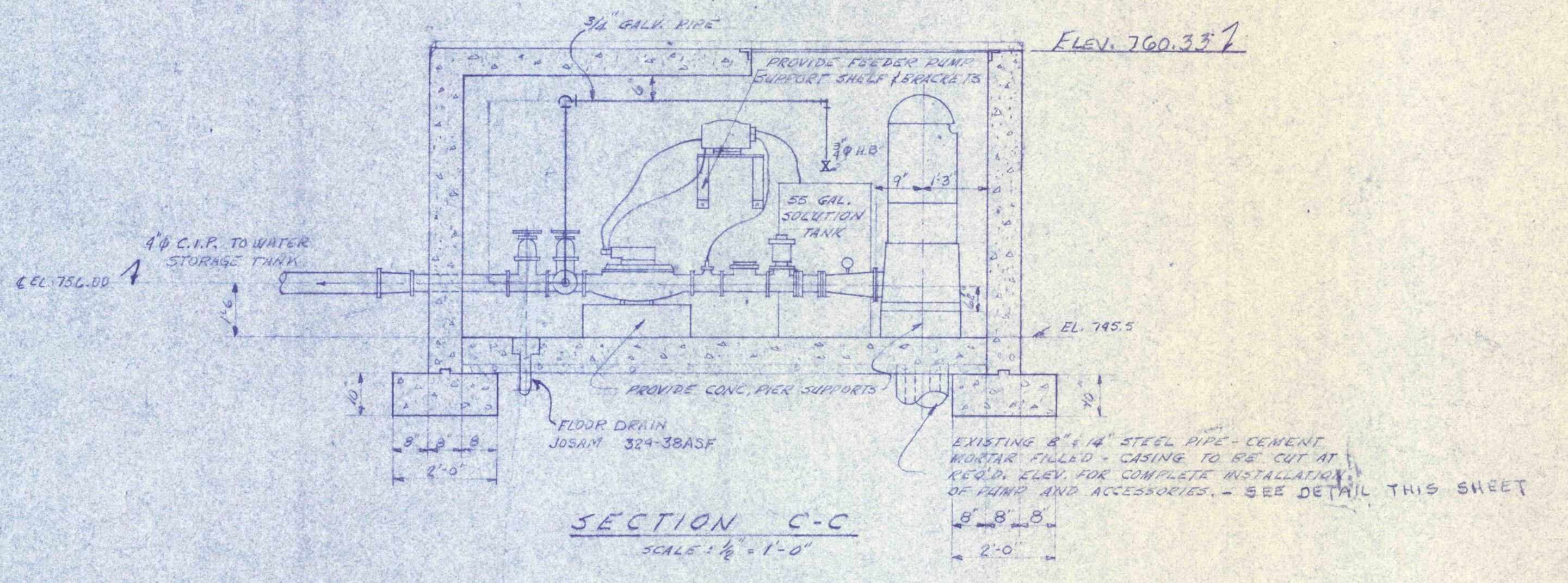
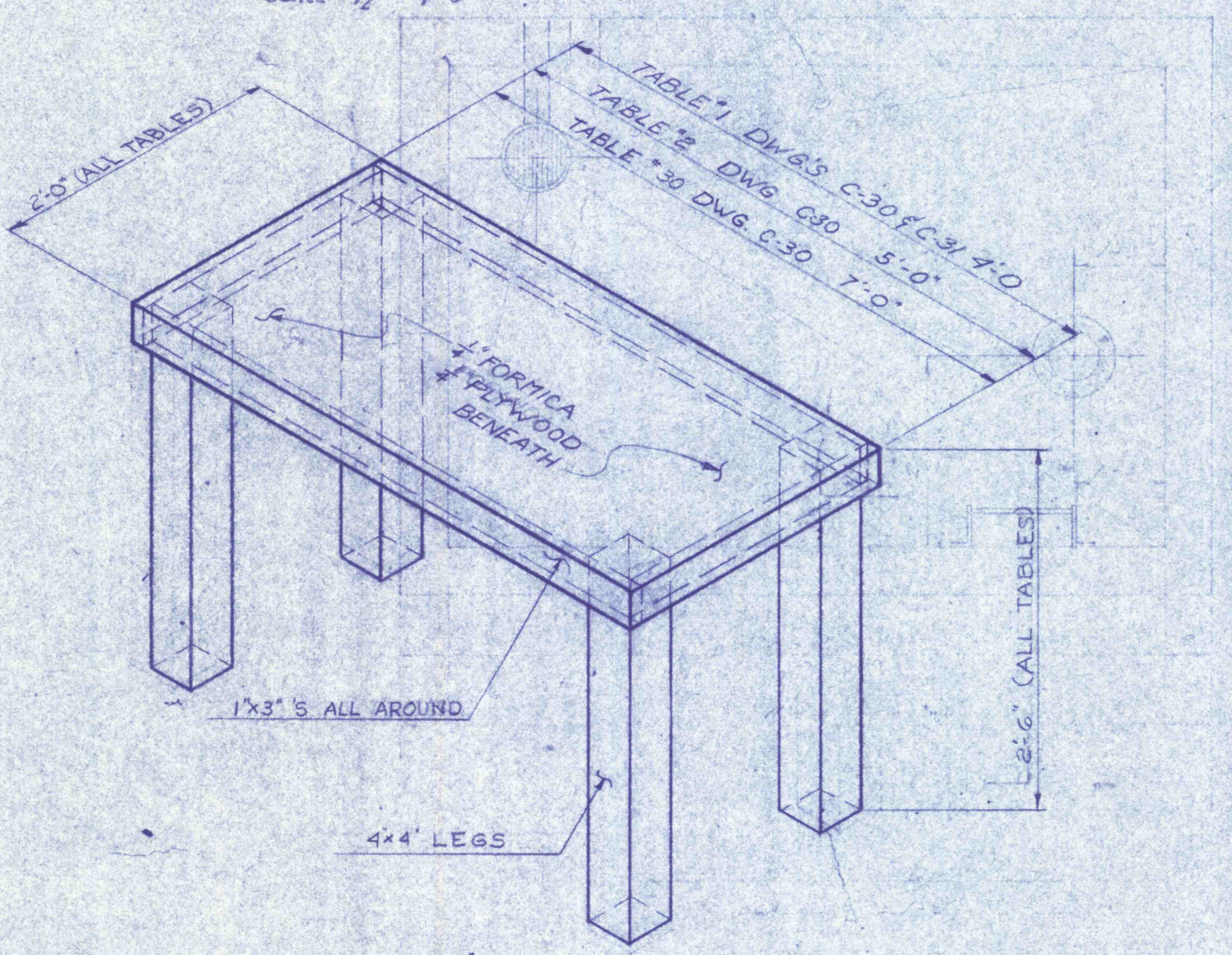


LIME SLURRY FEEDER TABLE  
DWG. C-33



REVISIONS	

<b>WELL PUMPING STATION</b>	
CONSTRUCTION OF TREATMENT FACILITIES FOR ACID MINE DRAINAGE	
<b>RAUSCH CREEK WATERSHED</b>	
SCHUYLKILL COUNTY PENNSYLVANIA	
JOB NO: 6085 DATE: 10-30-89 SCALE: AS SHOWN DRAWN: J. L. RILEY APPROVED: J. L. RILEY	ANTHRACITE <b>RESEARCH &amp; DEVELOPMENT CO. INC.</b> consulting engineers POTTSVILLE PENNSYLVANIA TAMAGUA
<b>C-35</b>	