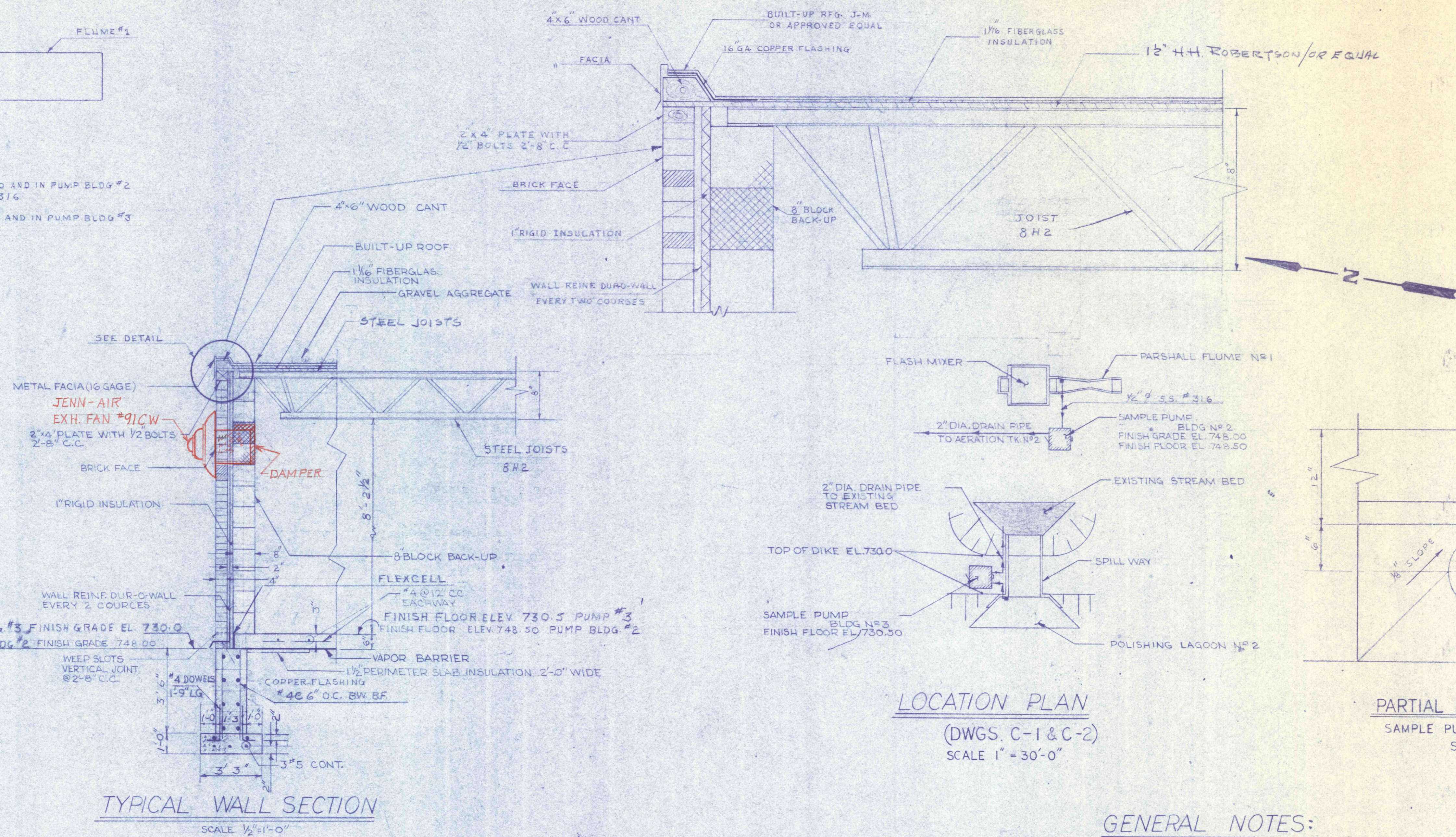
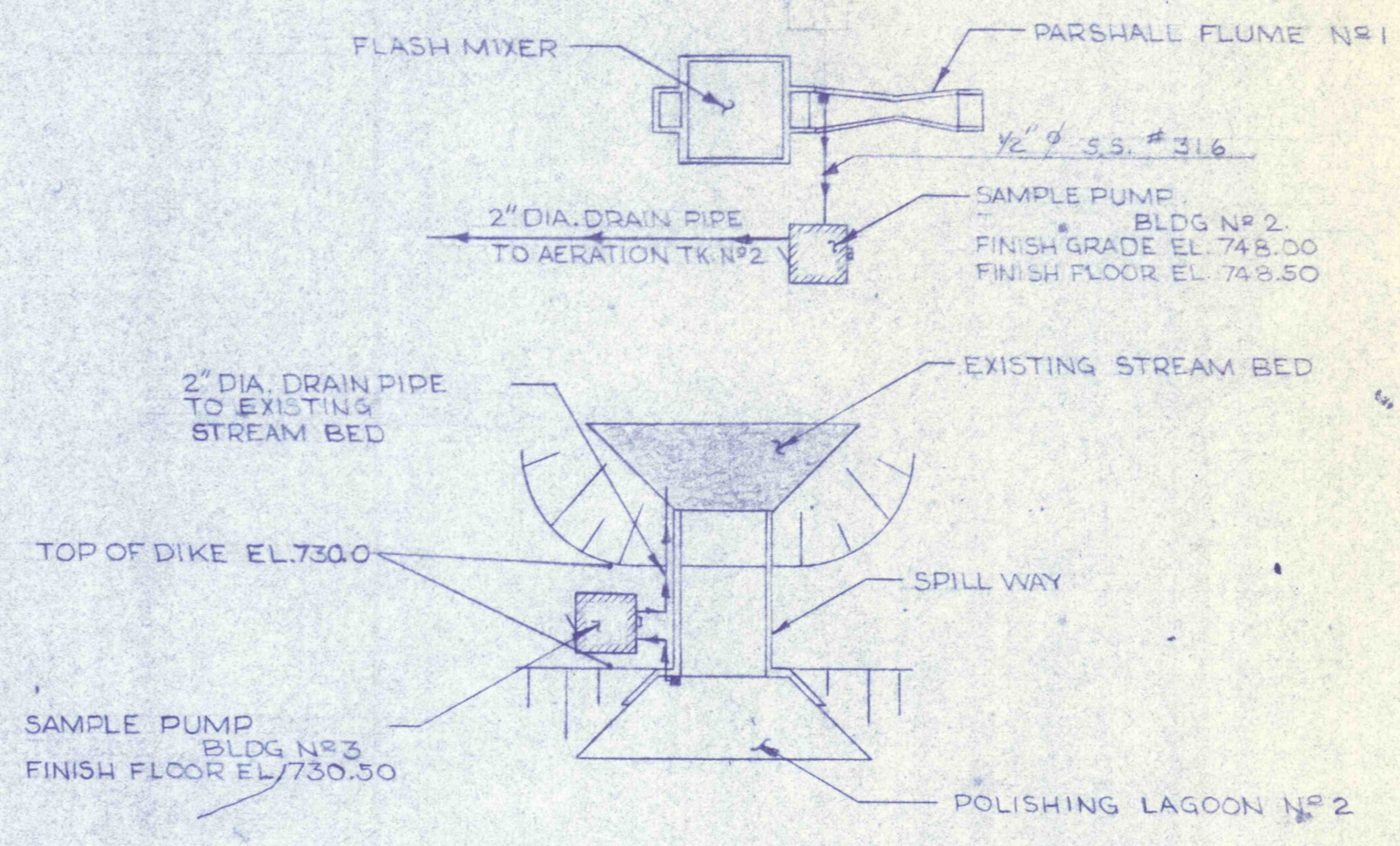


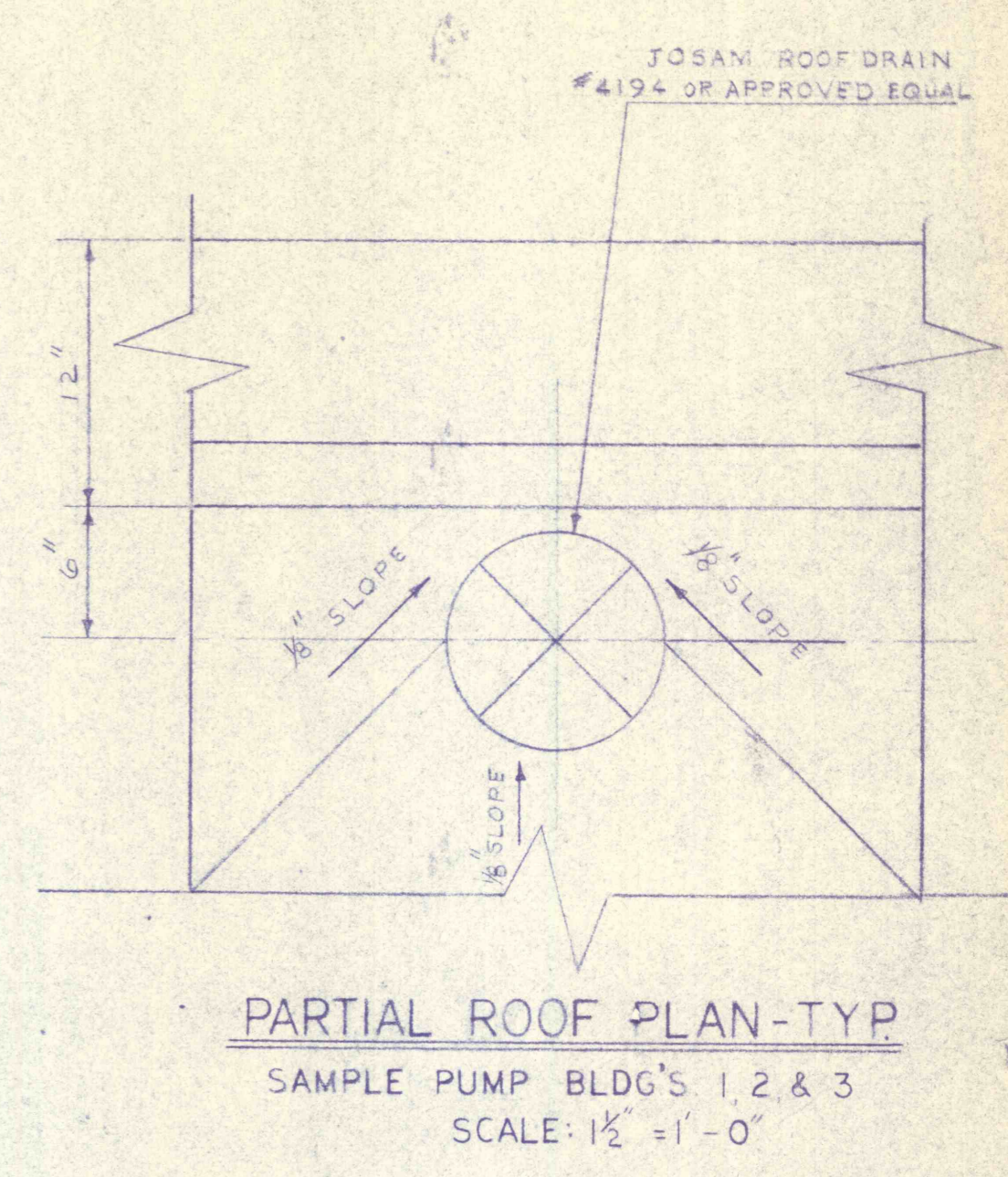
NOTE
 1. ALL PIPING TO AND IN PUMP BLDG #2 TO BE 3/4" #316
 2. ALL PIPING TO AND IN PUMP BLDG #3 TO BE M.I.P.



TYPICAL WALL SECTION
 SCALE 1/2"=1'-0"



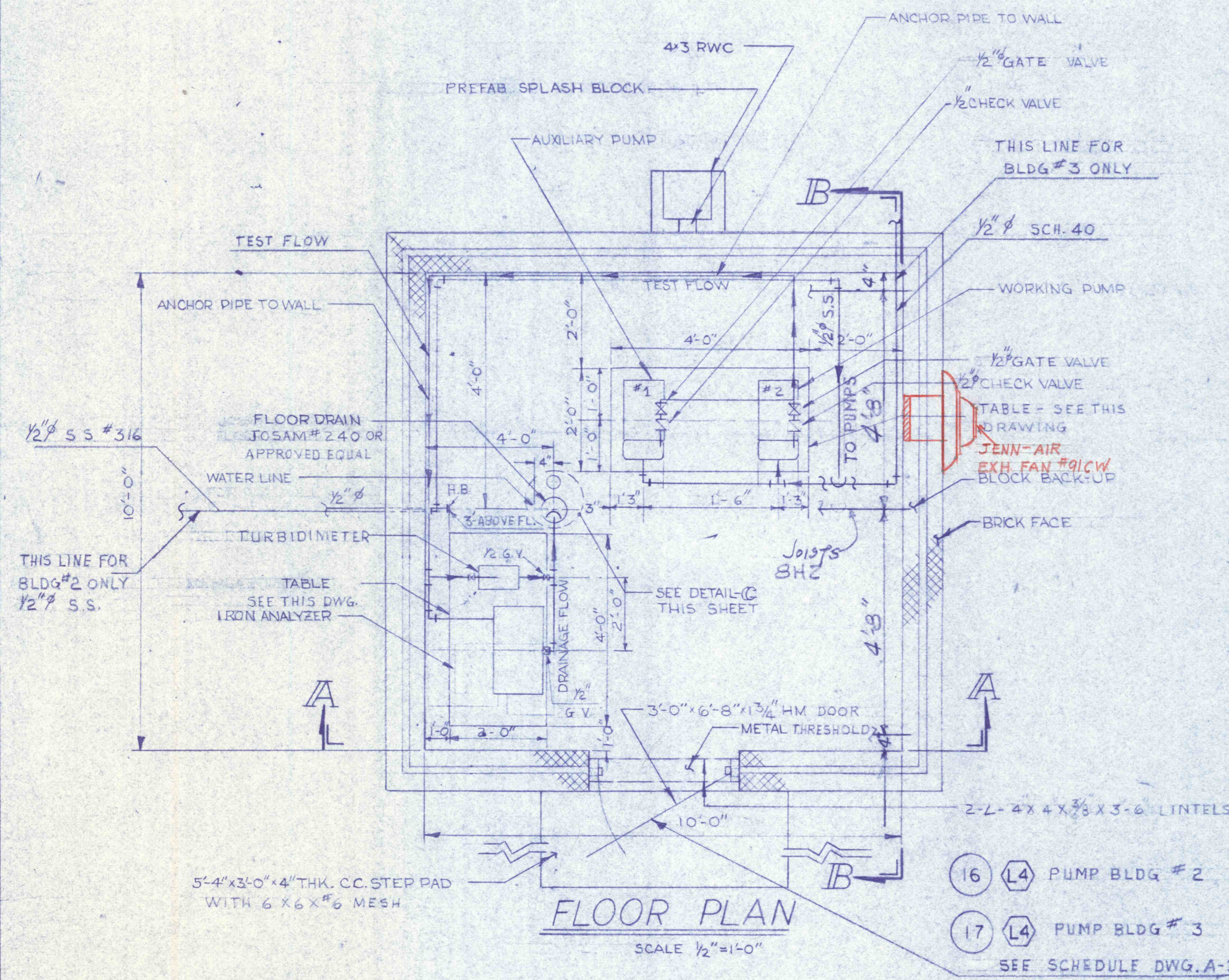
LOCATION PLAN
 (DWGS. C-1 & C-2)
 SCALE 1"=30'-0"



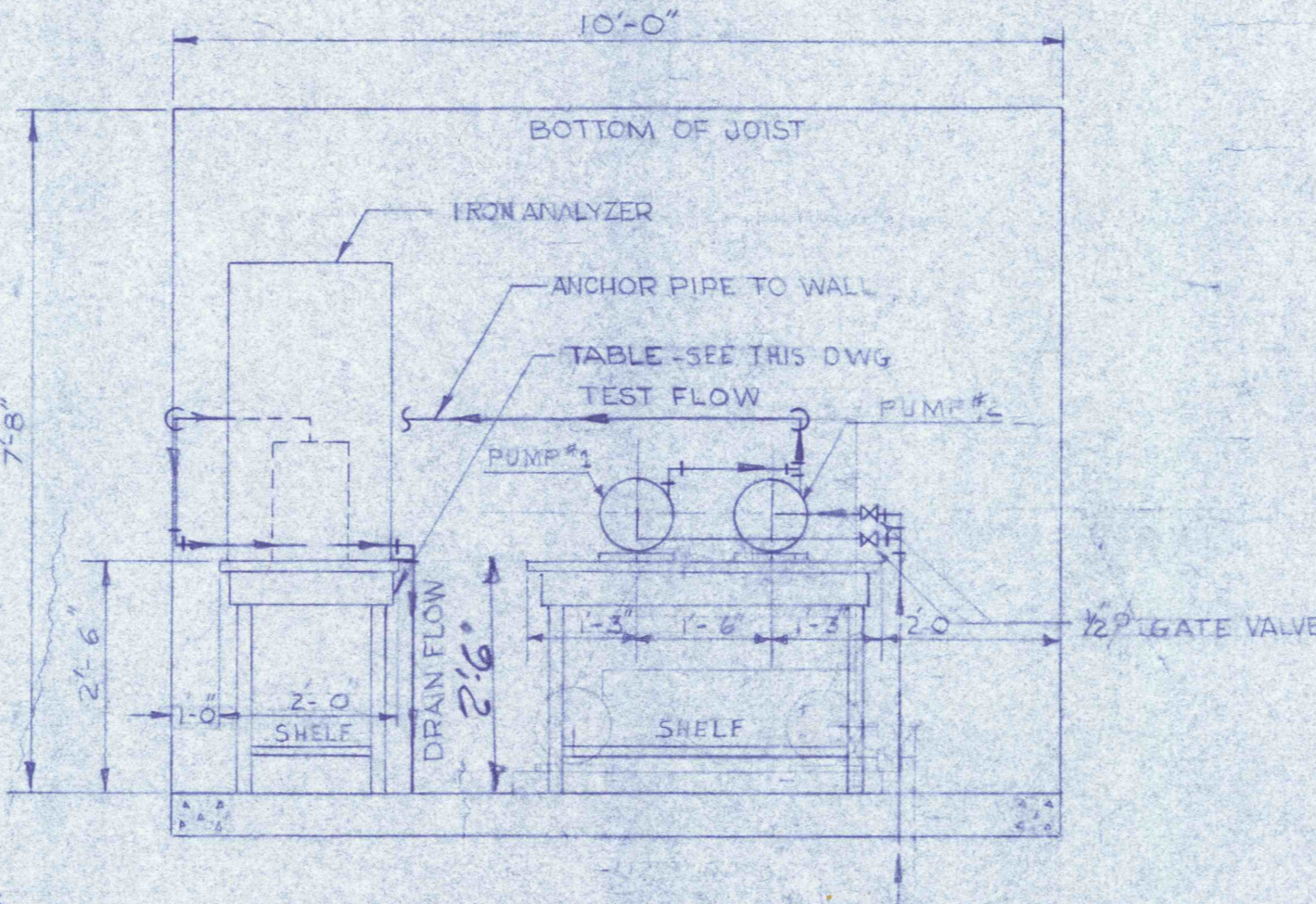
PARTIAL ROOF PLAN-TYP
 SAMPLE PUMP BLDG'S 1, 2 & 3
 SCALE 1 1/2"=1'-0"

GENERAL NOTES:

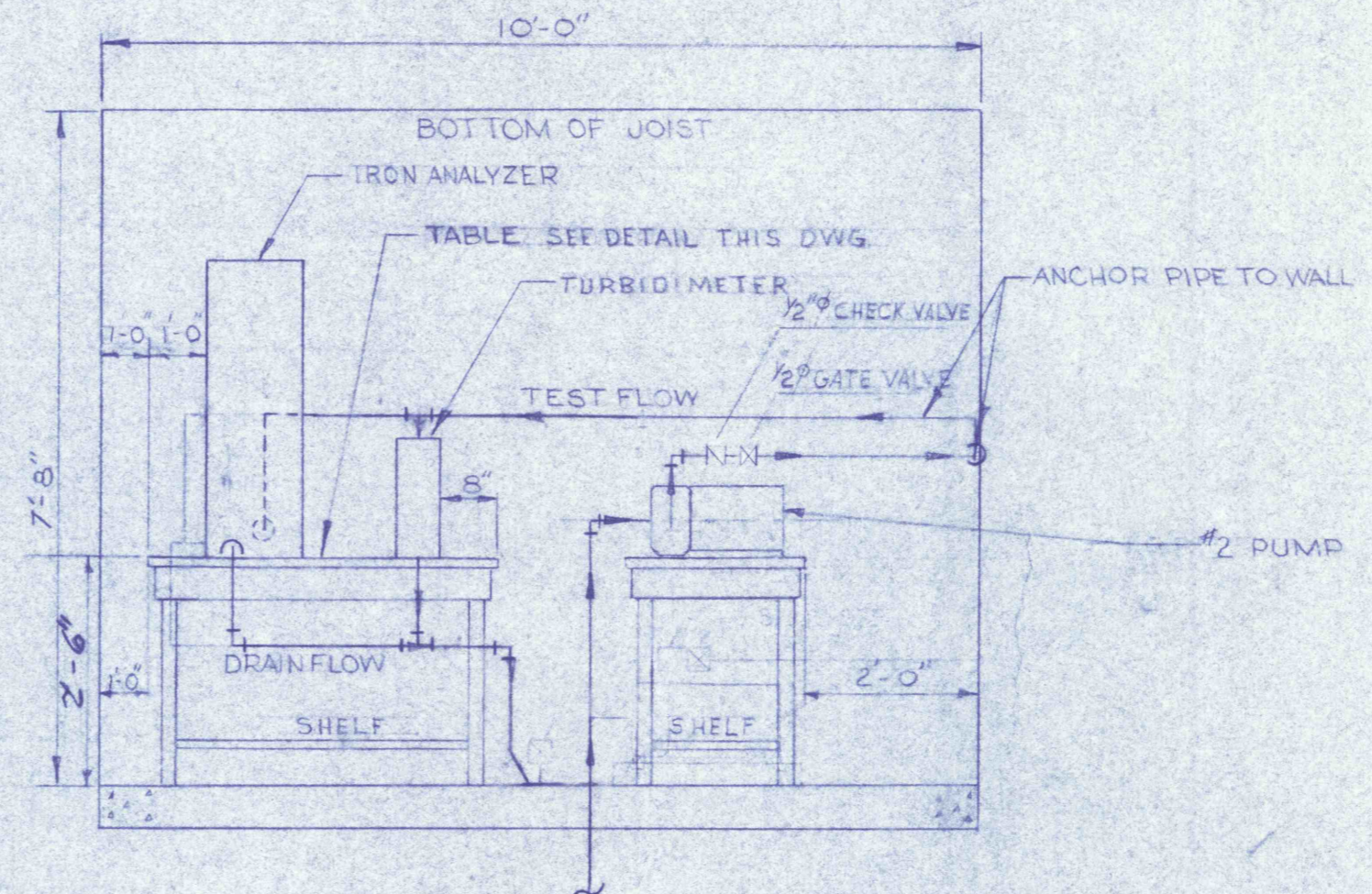
- SEE DWG. NO. C-3 FOR ELEVATION VIEWS OF THIS BUILDING.
- ALL PIPES & FITTINGS 1/2" DIA. UNLESS OTHERWISE SPECIFIED.
- ALL PIPES FOR BUILDING NO. 2 TO BE STAINLESS STEEL #316
- ANCHOR ALL PIPES TO WALLS/APPROVED ANCHORS
- SUB-SOIL MUST BE UNIFORMLY WELL COMPACTED. A 6" BASE COURSE OF WELL COMPACTED STONE OR GRAVEL MUST BE PROVIDED BEFORE THE SLAB IS POURED.
- DRAIN TO ROTATE TO SUIT DRAINAGE AREA
- ALL PIPES ENTERING LEAVING BUILDING MUST BE SLEEVED
- ALL PUMPS & EQUIPMENT TO BE BOLTED TO TABLES IN FIELD
- ALL PIPING & FITTINGS TO PUMPS IN SAMPLE PUMP BLDG #2 SHALL BE #316 STAINLESS STEEL.
- ALL PIPING & FITTINGS TO PUMPS IN SAMPLE PUMP BLDG #3 SHALL BE SCHEDULE 40.



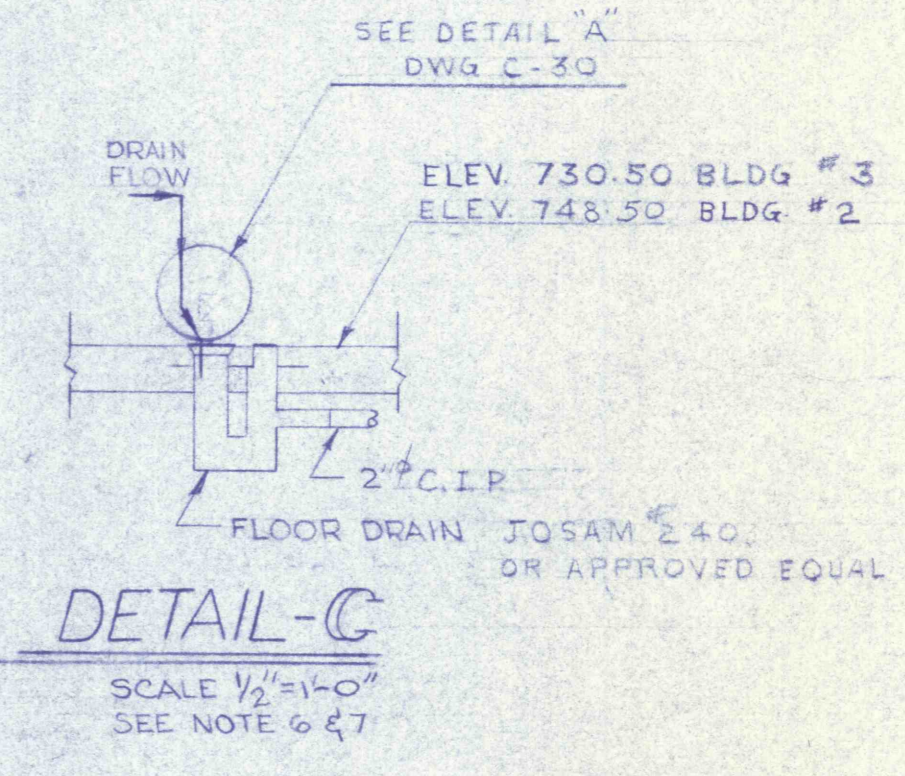
FLOOR PLAN
 SCALE 1/2"=1'-0"



SECTION A-A
 SCALE 1/2"=1'-0"



SECTION B-B
 SCALE 1/2"=1'-0"



DETAIL C
 SCALE 1/2"=1'-0"
 SEE NOTE #47

REVISIONS	
SAMPLE PUMP BUILDING NO. 2 & 3	
CONSTRUCTION OF TREATMENT FACILITIES FOR ACID MINE DRAINAGE RAUSCH CREEK WATERSHED SCHUYLKILL COUNTY, PENNSYLVANIA	
JOB NO. 6805 DATE: NOV. 1963 SCALE: AS NOTED DRAWN: E.M. WALTON APPROVED: T.H. JOE	ANTHRACITE RESEARCH & DEVELOPMENT CO. INC. consulting engineers POTTSVILLE PENNSYLVANIA TAMAGUA
C-31	

