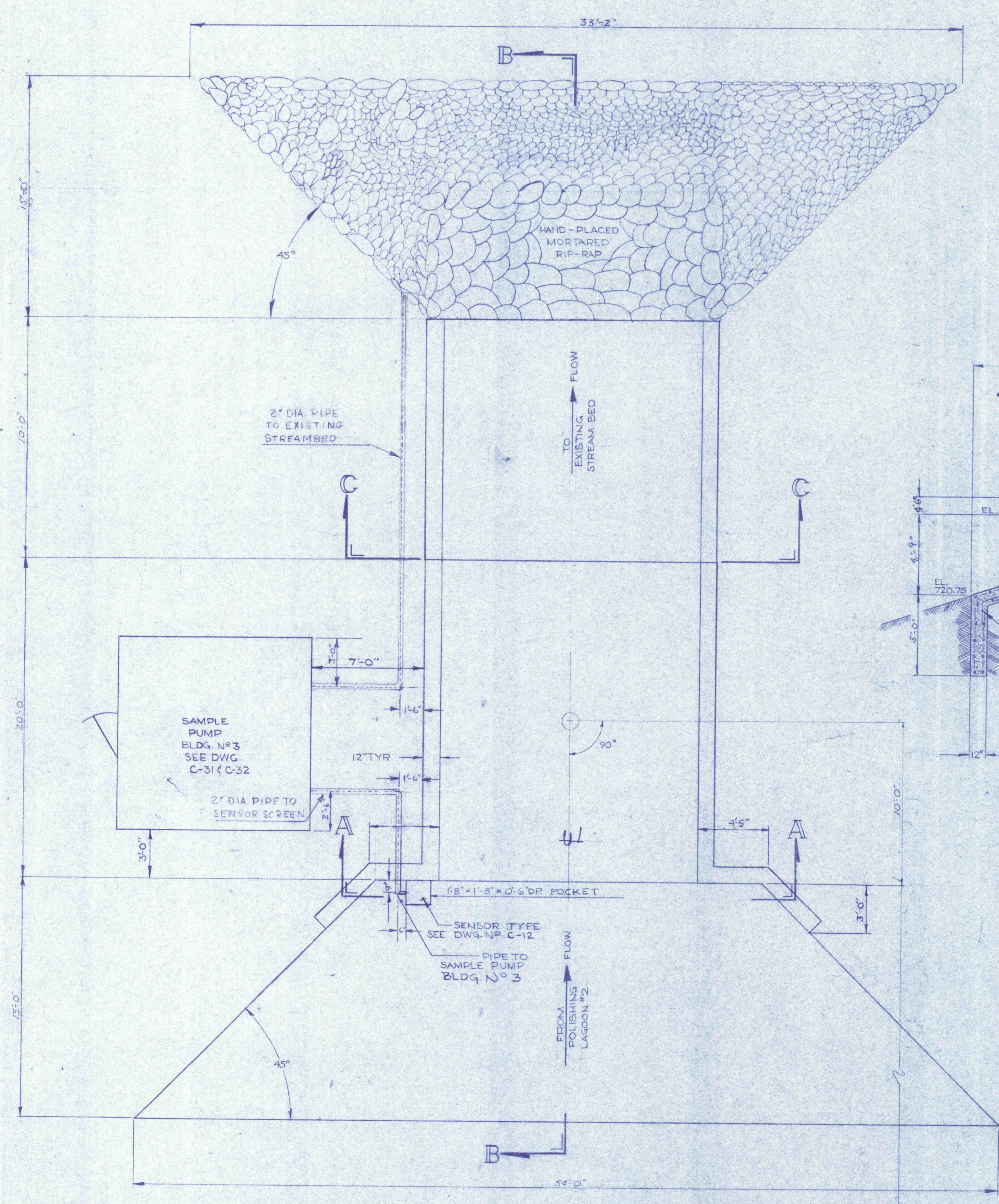
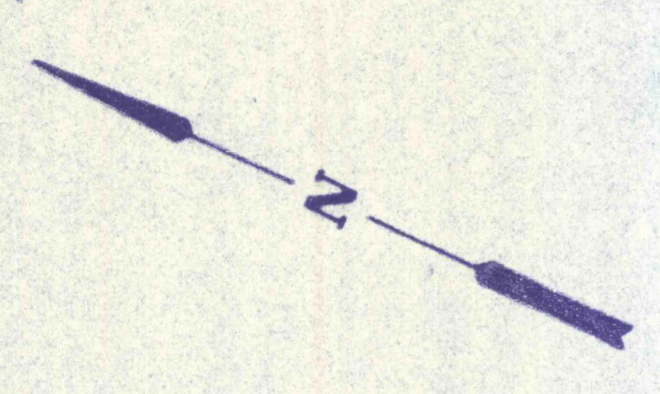
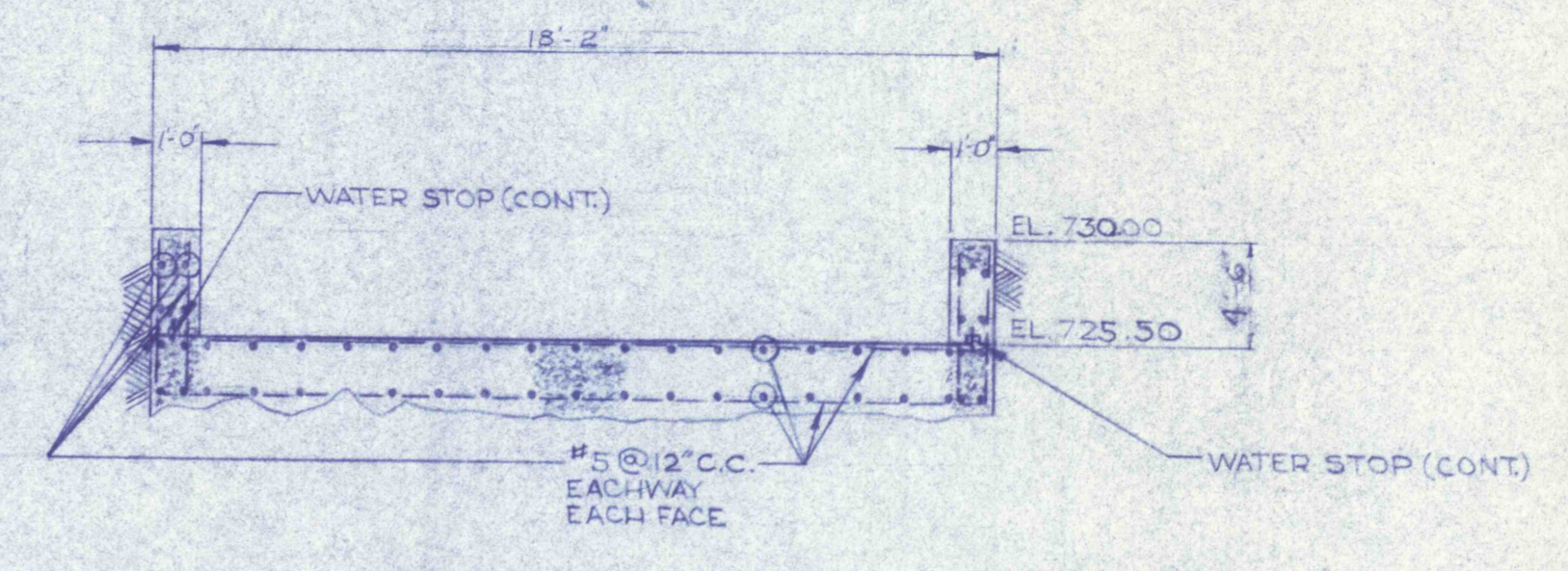


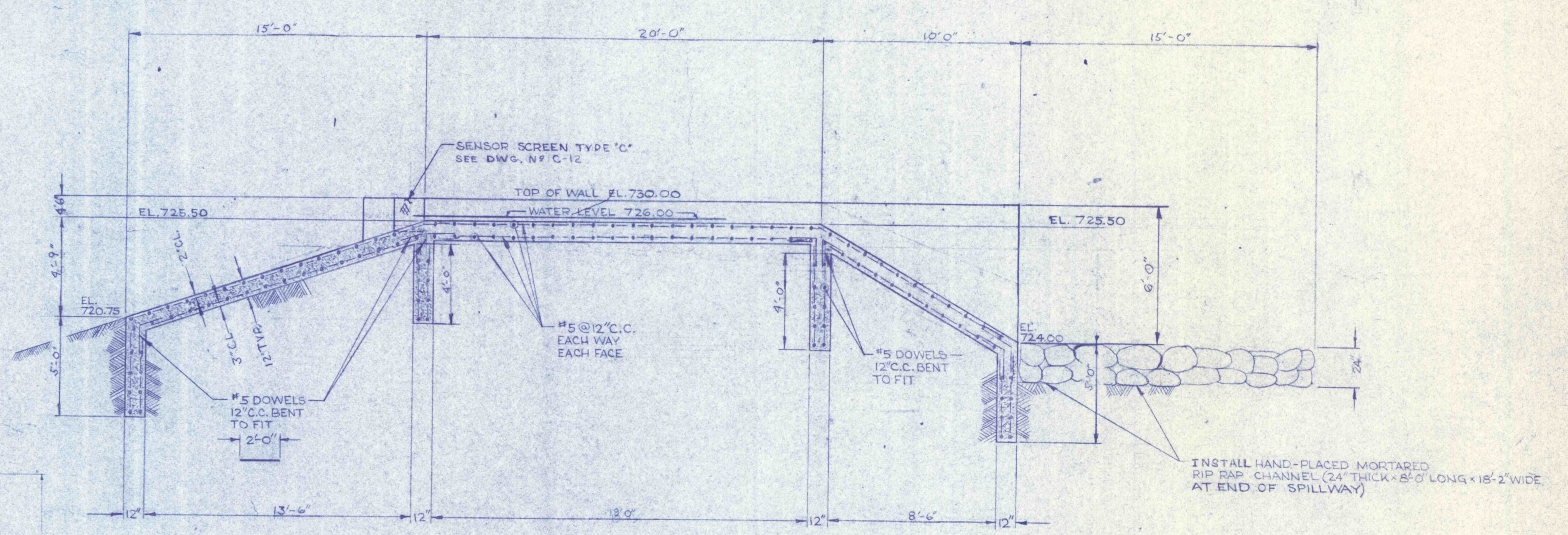
**GENERAL NOTES**  
 1. REFER TO SITE PLAN DWG. NO. C-1 FOR LOCATION OF SPILLWAY.



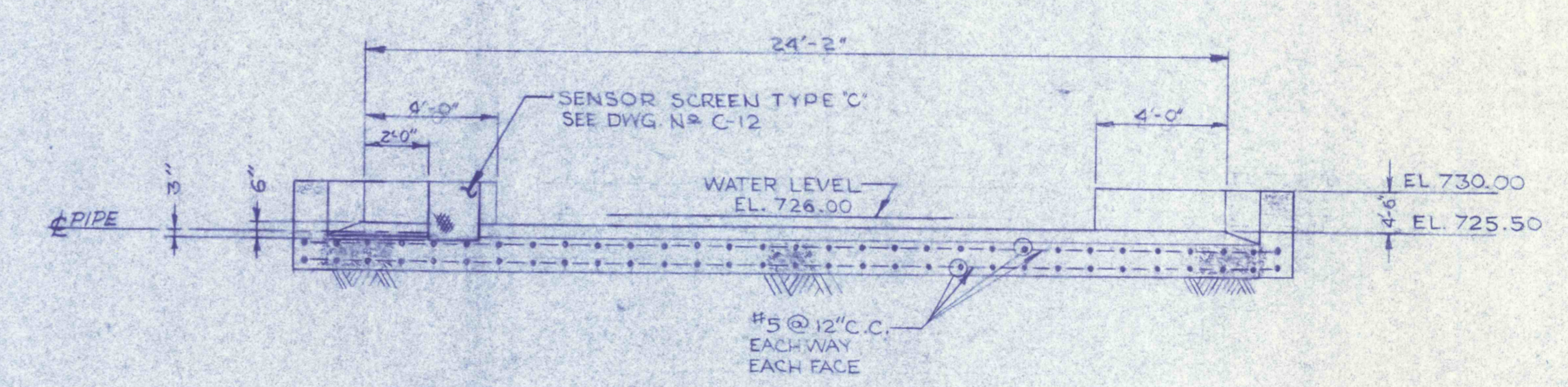
**PLAN**  
**SPILLWAY NO. 1**  
**DWG. C-1**



**SECTION C-C**



**SECTION B-B**



**SECTION A-A**



REVISIONS	
CONSTRUCTION DETAILS-SPILLWAY NO. 1	
CONSTRUCTION OF TREATMENT FACILITIES FOR ACID MINE DRAINAGE RAUSCH CREEK WATERSHED SCHUYLKILL COUNTY, PENNSYLVANIA	JOB NO: 2805 DATE: NOV. 1969 SCALE: 1/4" = 1'-0" DRAWN: J. J. LEMKAU APPROVED: T. H. RILE
ANTHRACITE RESEARCH & DEVELOPMENT CO. INC. consulting engineers POTTSVILLE PENNSYLVANIA	TAMAQUA DRAWING NO: <b>C-27</b>