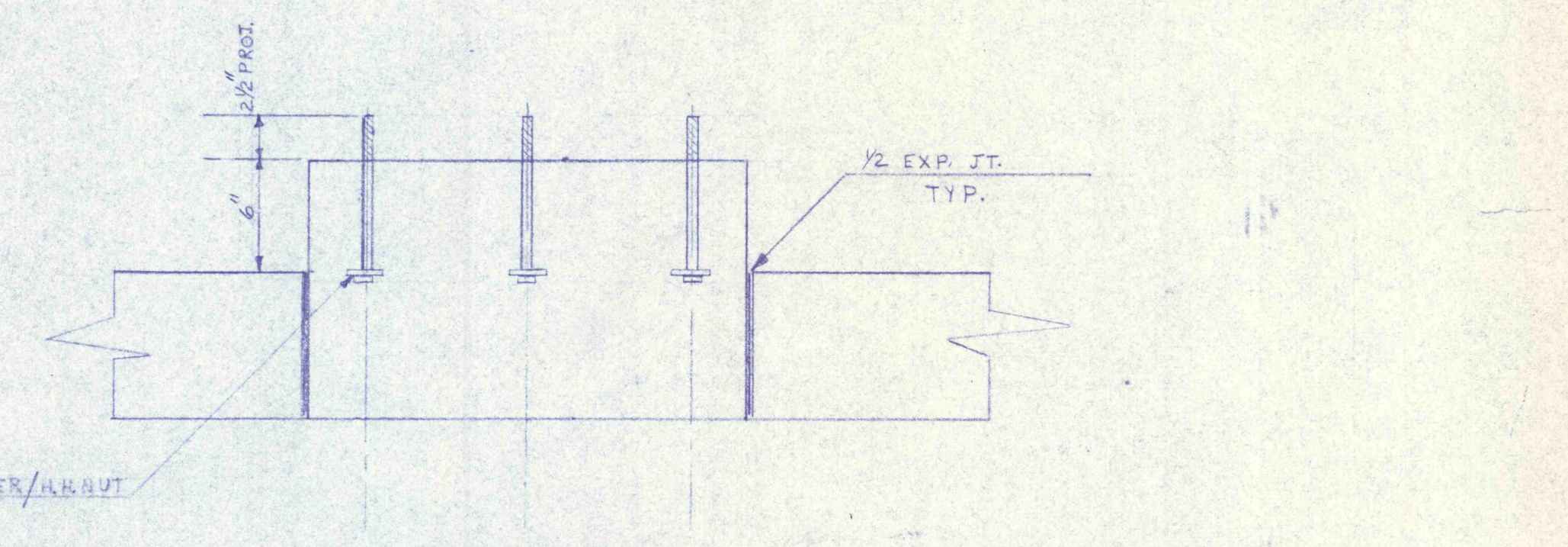
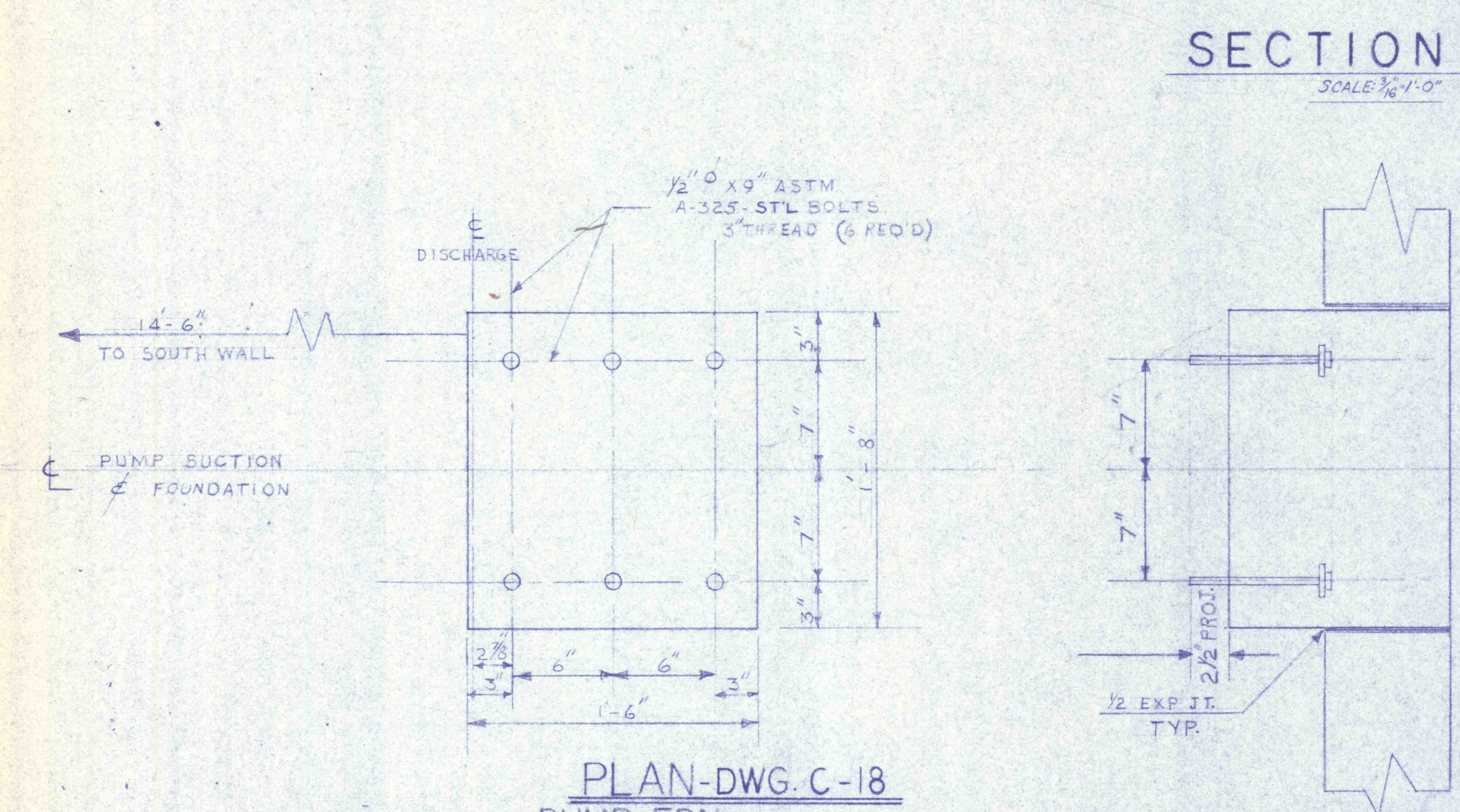


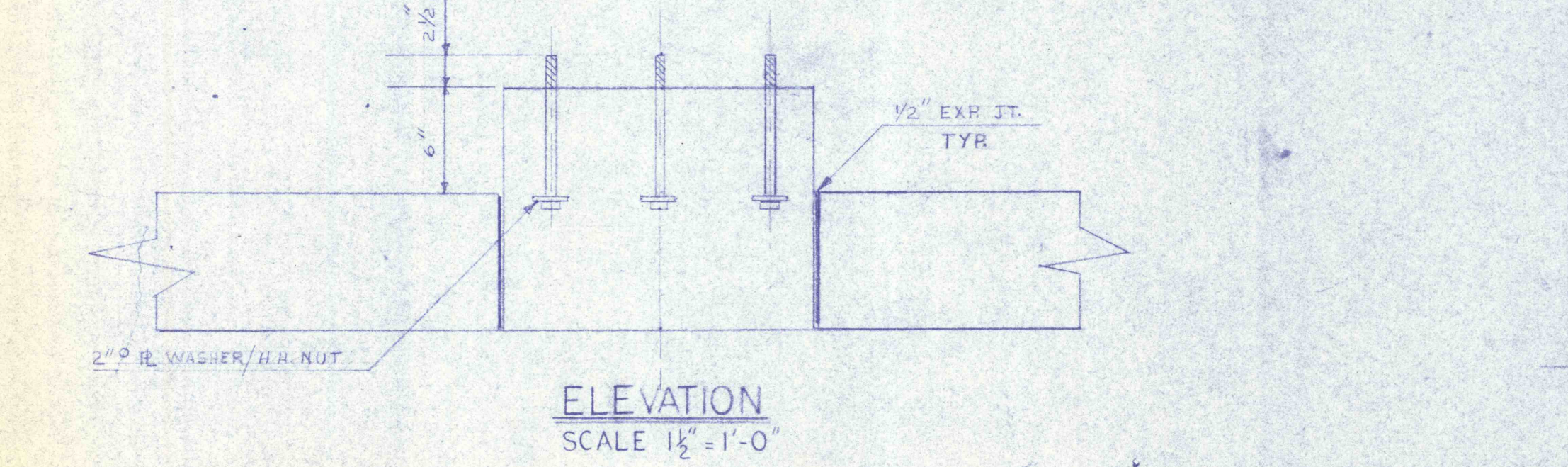
PLAN-DWG C-18  
PUMP FDN (2 REQ'D)  
PUMPS PP7A & PP7B  
SCALE: 1 1/2" = 1'-0"



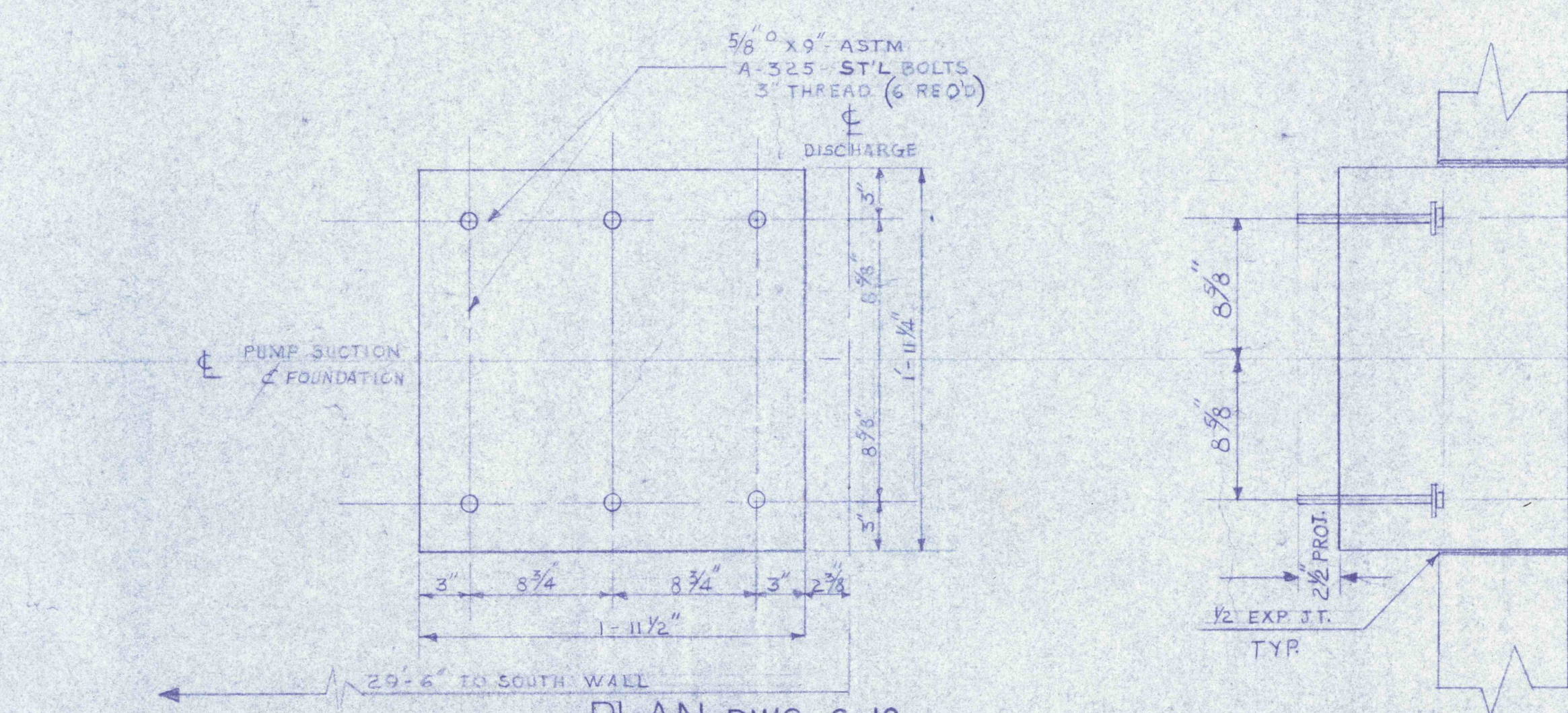
ELEVATION  
SCALE: 1 1/2" = 1'-0"



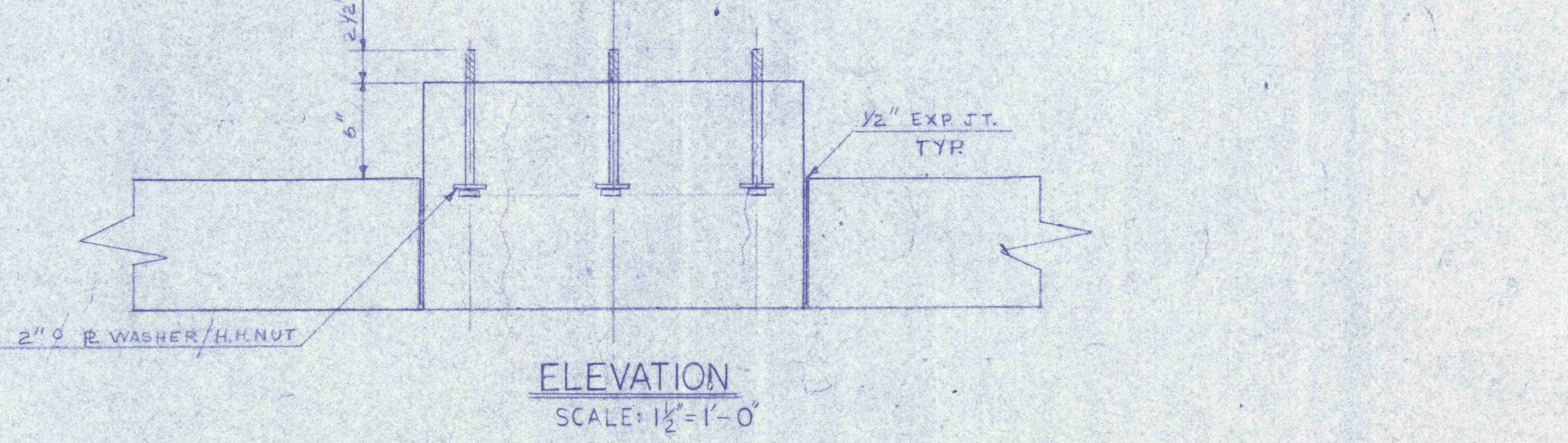
PLAN-DWG C-18  
PUMP FDN (3 REQ'D)  
PUMPS PP3, PP4 & PP5  
SCALE: 1 1/2" = 1'-0"



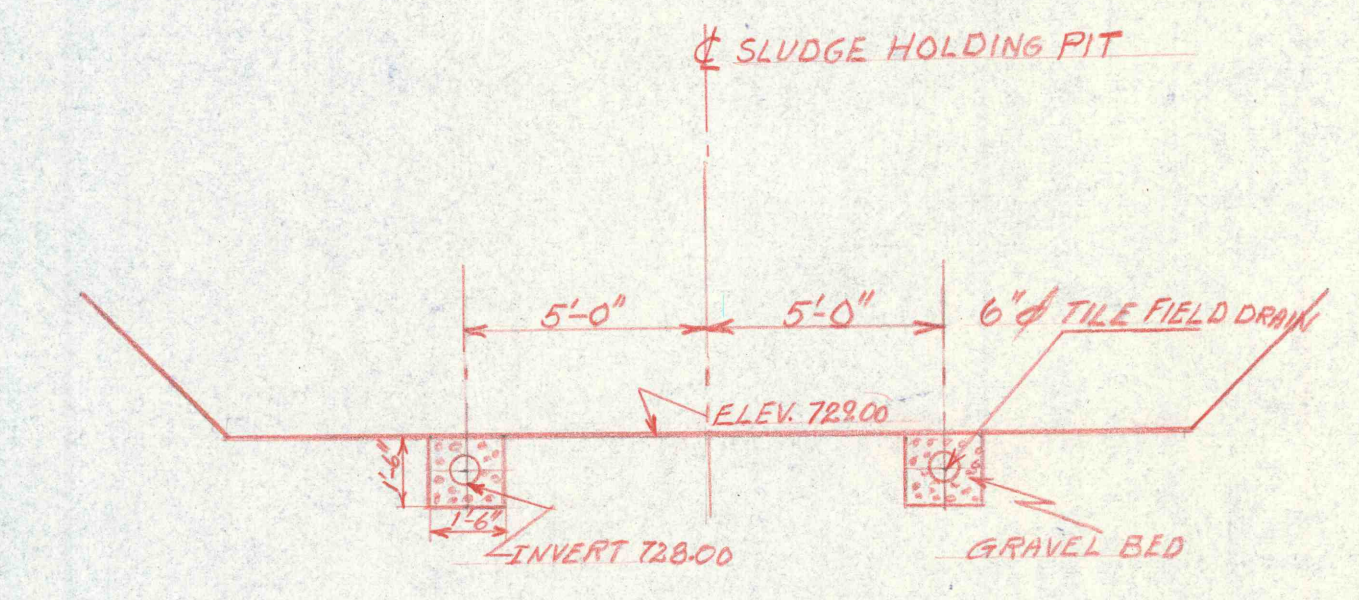
ELEVATION  
SCALE: 1 1/2" = 1'-0"



PLAN-DWG C-18  
PUMP FDN (2 REQ'D)  
PUMPS PP6A & PP6B  
SCALE: 1 1/2" = 1'-0"



ELEVATION  
SCALE: 1 1/2" = 1'-0"



SECTION C-C

REF DWGS.  
C-18-SLUDGE HOLDING PIT  
C-19-SLUDGE THICKENR MECH.



REVISIONS	

<b>SLUDGE HOLDING PIT</b>	
CONSTRUCTION OF TREATMENT FACILITIES OF ACID MINE DRAINAGE <b>RAUSCH CREEK WATERSHED</b> SCHUYLKILL COUNTY PENNSYLVANIA	
JOB NO: 6805 DATE: NOV. 1969 SCALE: NOTED DRAWN: G.C.F. APPROVED: T.H.R. J.J.L.	ANTRACITE RESEARCH & DEVELOPMENT CO. INC. consulting engineers POTTSVILLE PENNSYLVANIA TAMAQUA
<b>C-21</b>	