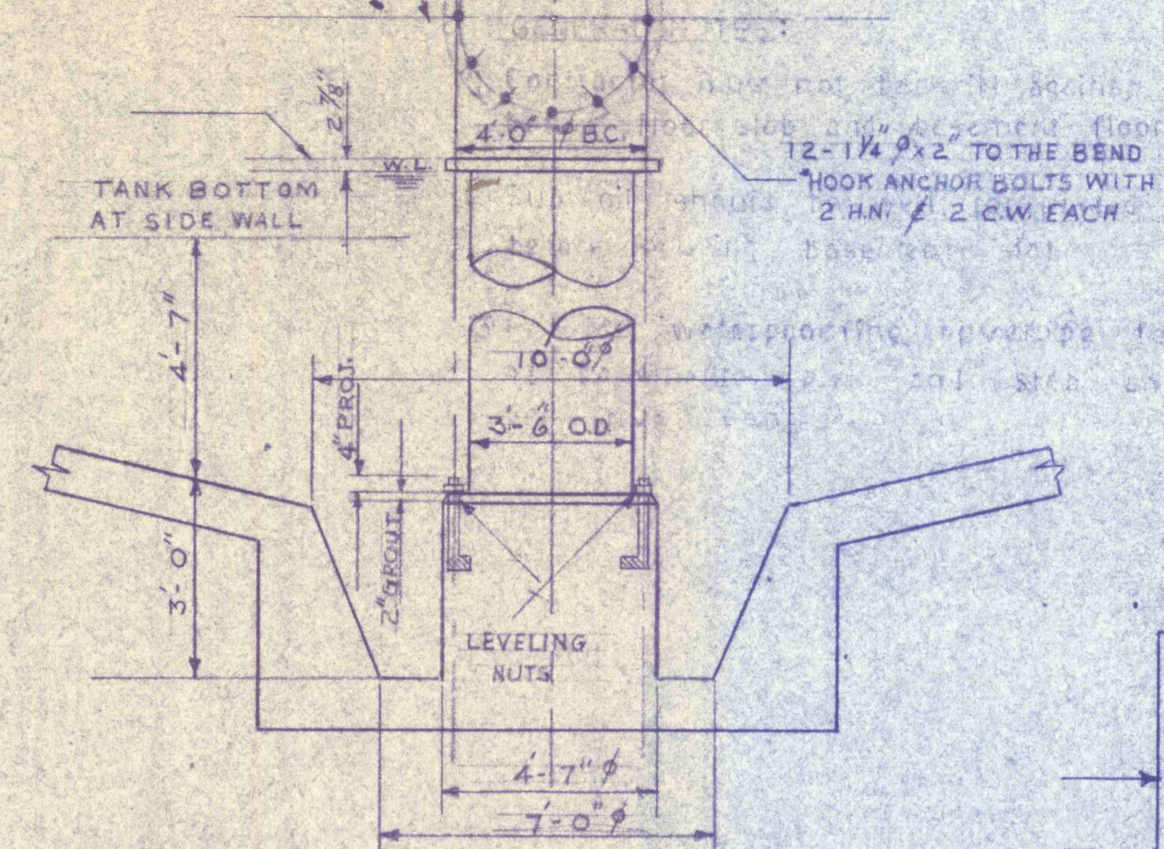
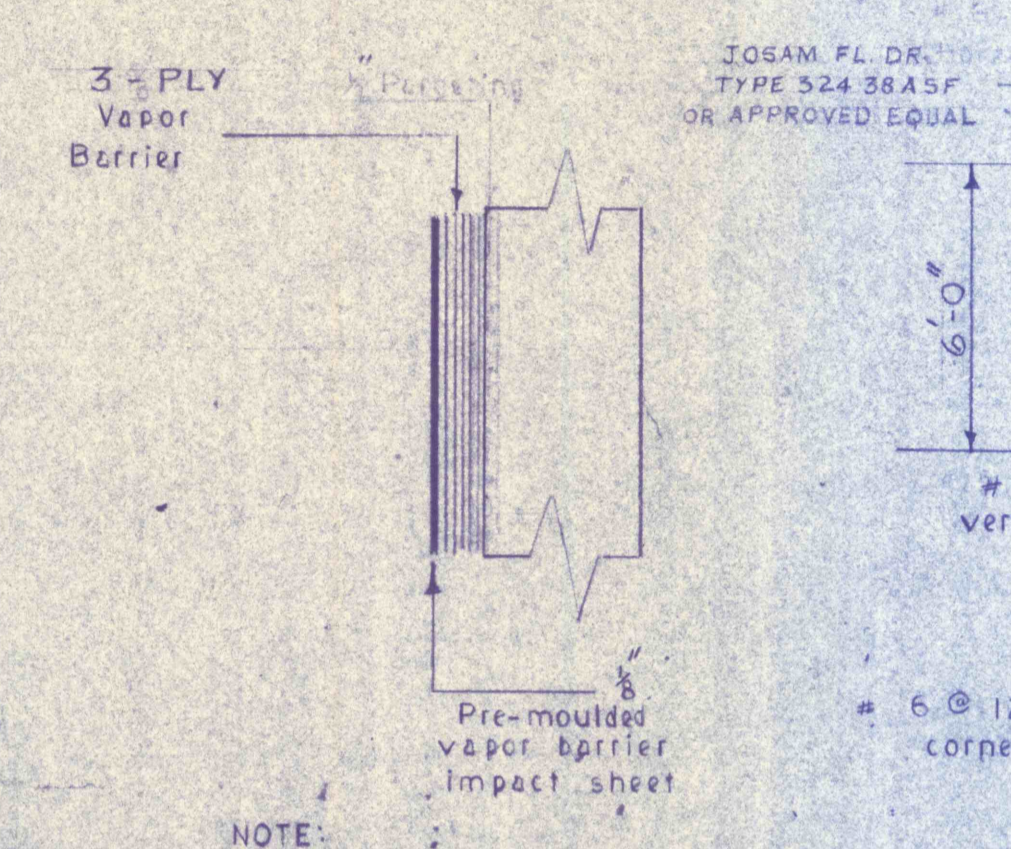


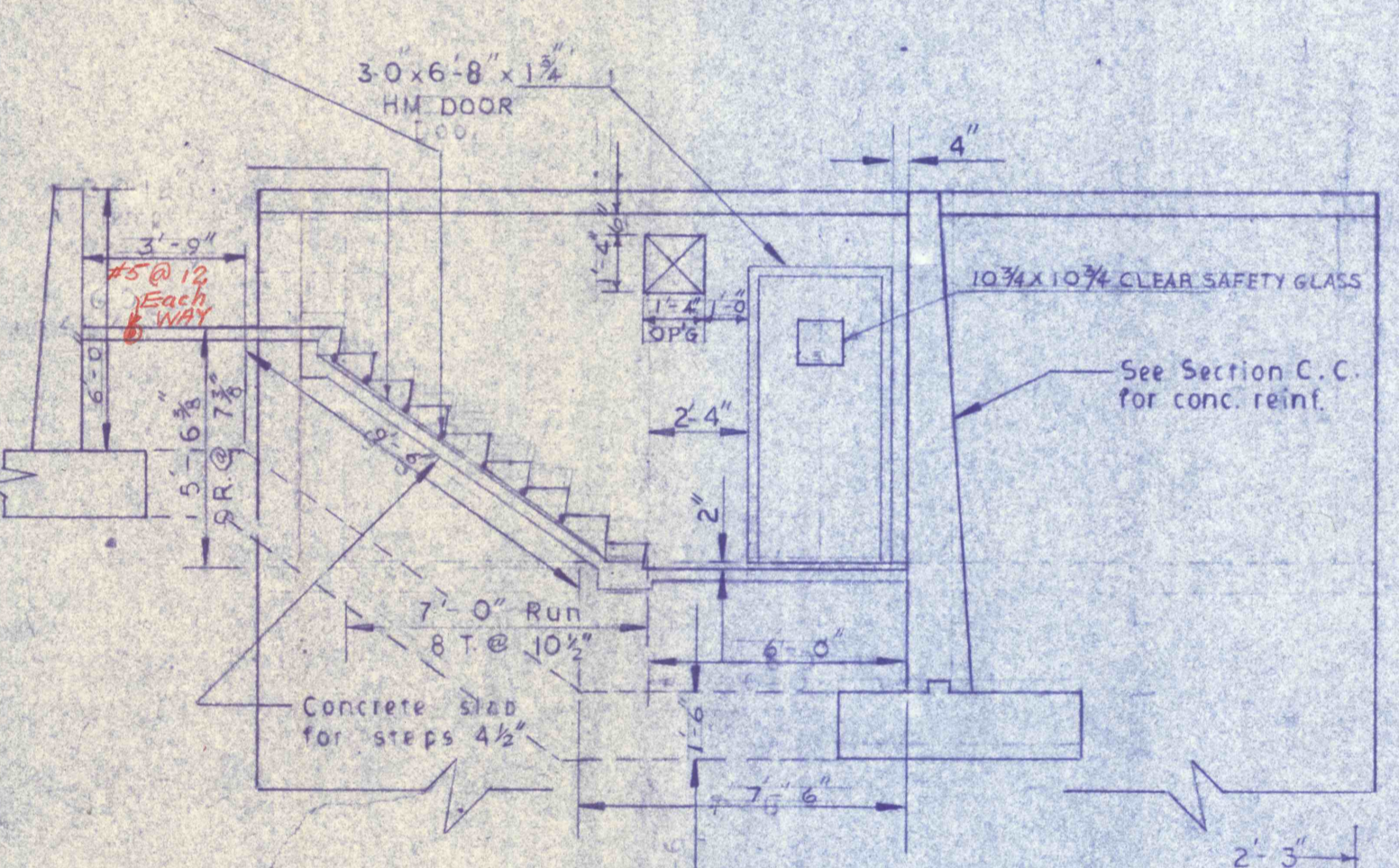
IMPORTANT: SET WITH TEMPLATE SO THAT BOLTS ARE EQUALLY SPACED STRADDLING E.O.P. WALKWAY



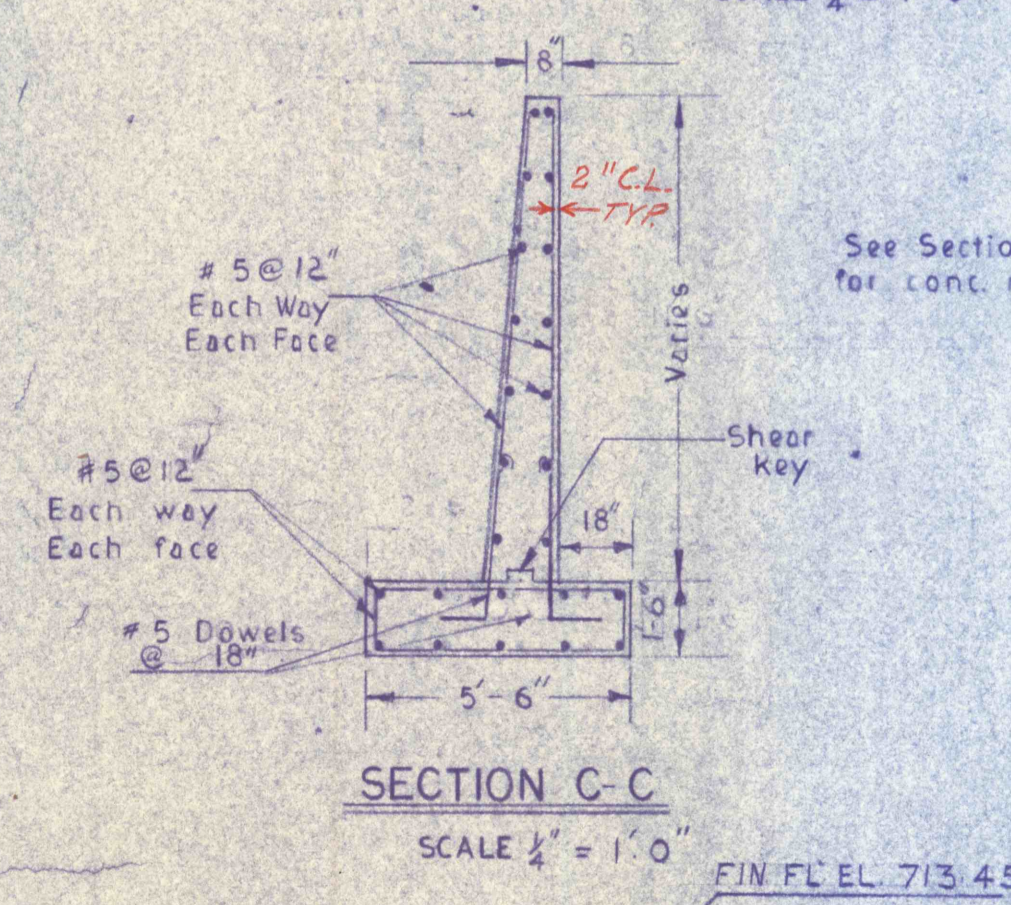
DETAIL F
SHOWING CONCRETE AT CENTER OF TANK
SCALE: 1/4" = 1'-0"



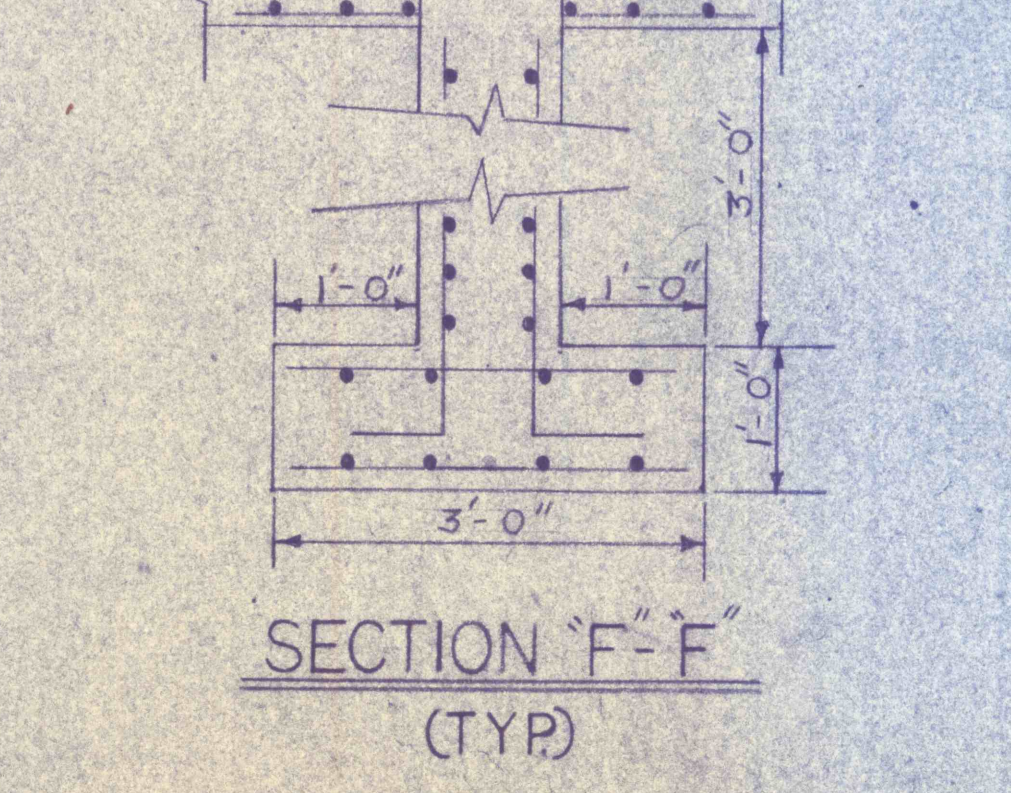
WATERPROOF ENVELOPE DETAIL
NO SCALE



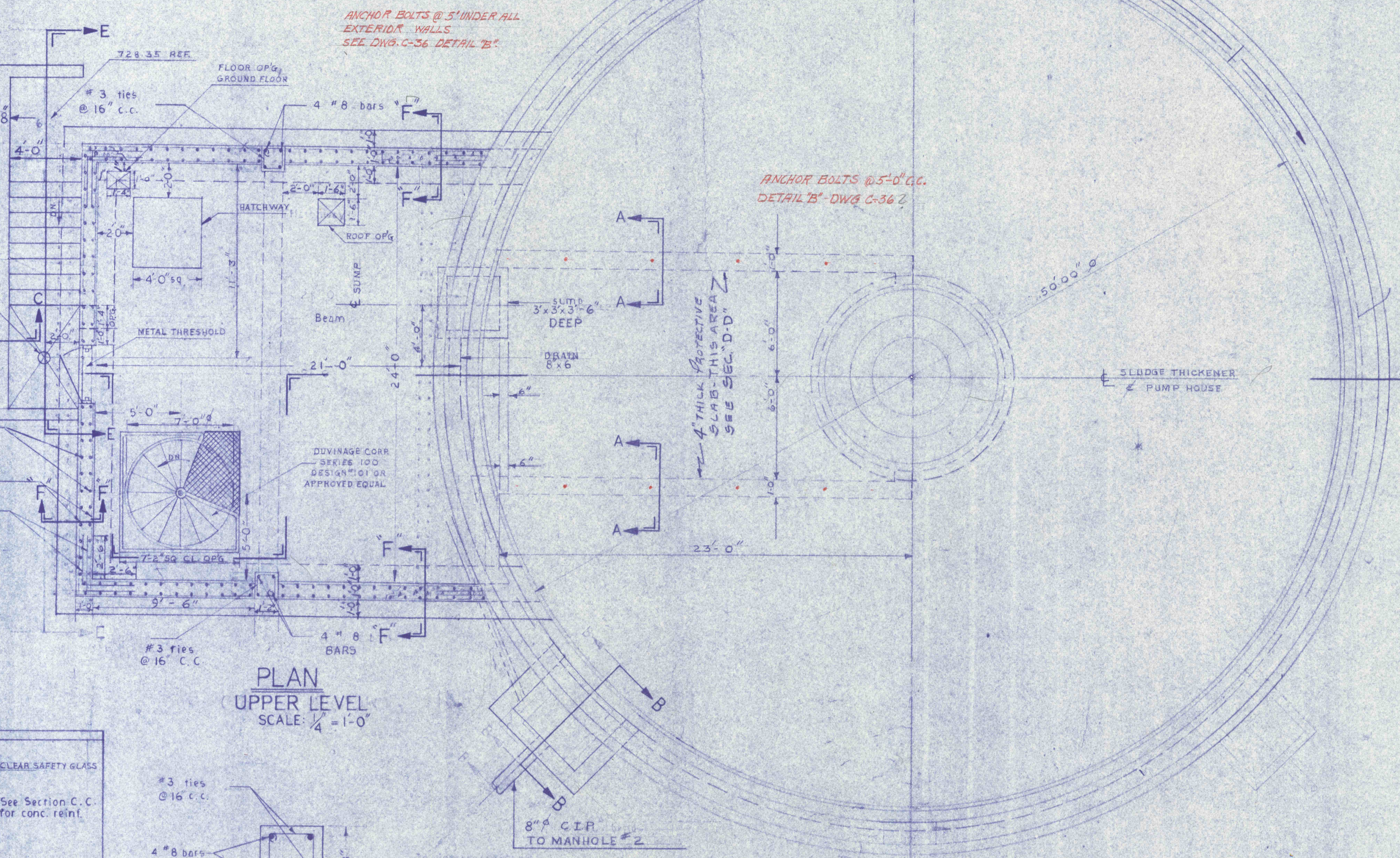
SECTION E-E
SCALE 1/4" = 1'-0"



SECTION C-C
SCALE 1/4" = 1'-0"

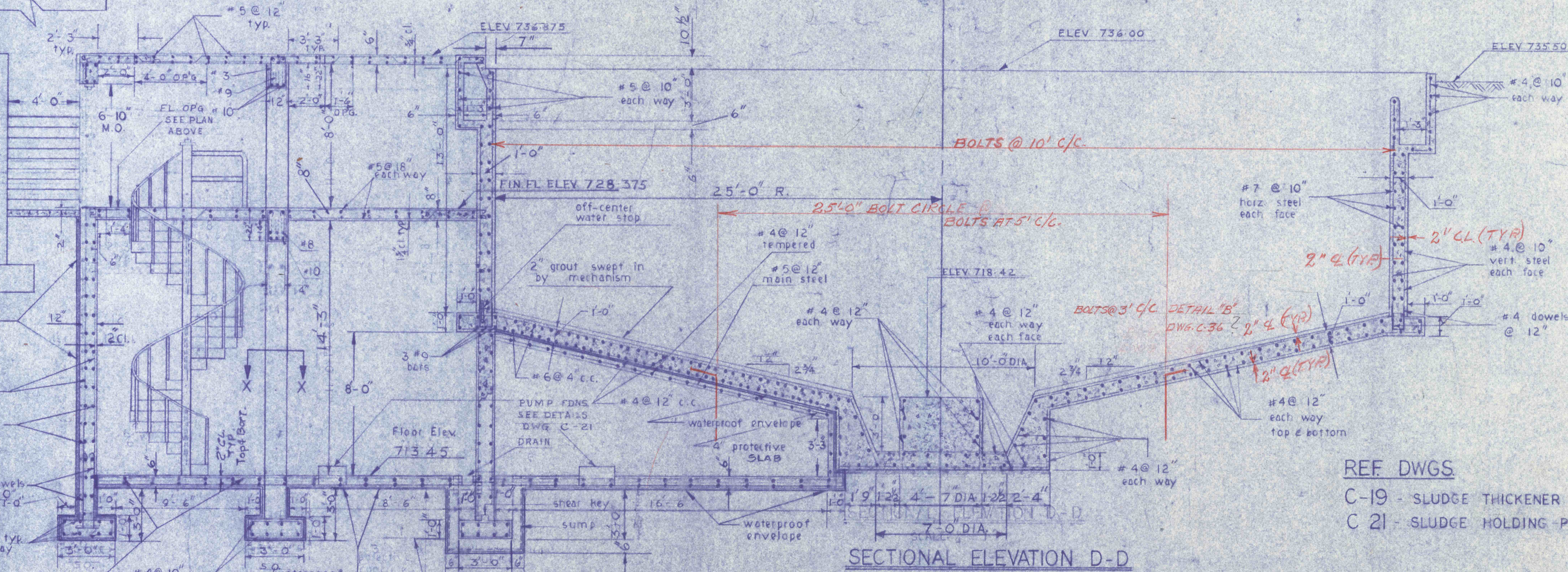


SECTION F-F (TYP)
SCALE 1/4" = 1'-0"



PLAN UPPER LEVEL
SCALE 1/4" = 1'-0"

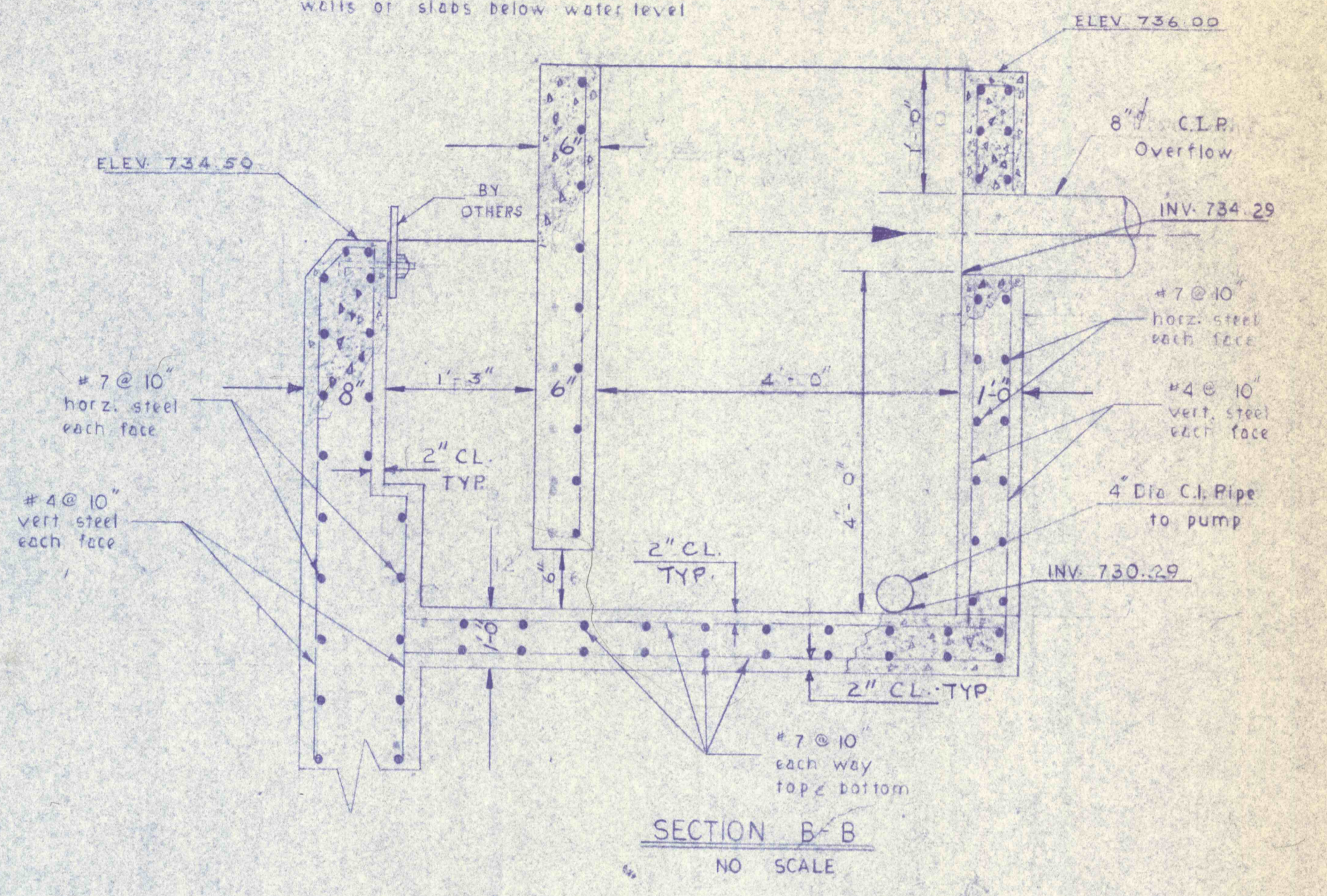
PLAN
SCALE 1/4" = 1'-0"



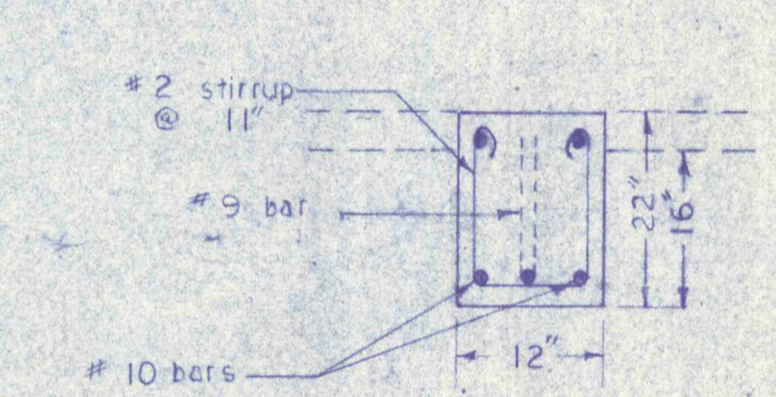
SECTIONAL ELEVATION D-D
SCALE 1/4" = 1'-0"

GENERAL NOTE

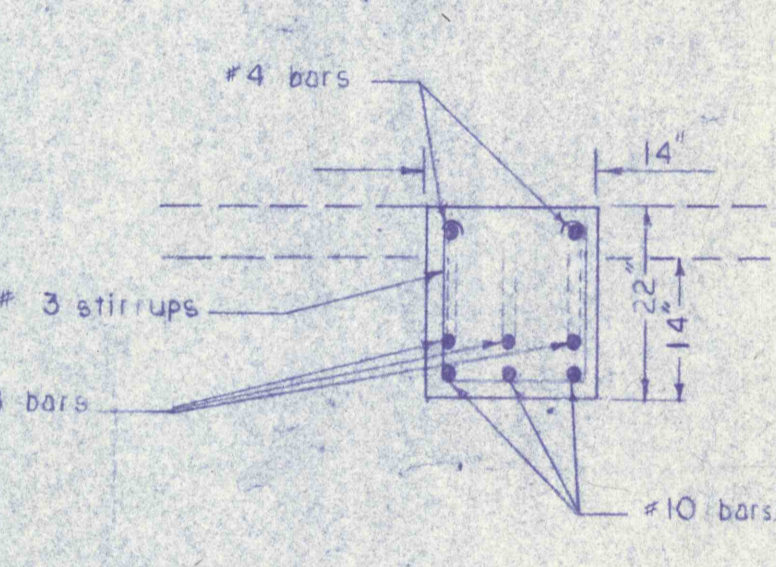
- Sub soil must be uniformly well compacted. A 12" base course of well compacted crushed stone or gravel must be provided before the slab is poured.
- All equipment to be installed in strict accordance with approved shop drawings.
- Contractor is responsible for all sleeves, brackets, inserts, anchors, etc. & correct placement of same during concrete construction.
- Water-tight flanged sleeves for all pipes thru walls or slabs below water level.
- ALL REINFORCING STEEL TO BE SUPPORTED BY METAL CHAIRS OR SUPPORTE & TO BE INSPECTED BY FIELD ENG. PRIOR TO INSPECTED BEFORE CONCR. IS PLACED.
- CONTRACTOR MUST NOT BACKFILL AGAINST BASEMENT WALLS BEFORE FLOOR & BASEMENT SLAB ARE INSTALLED.
- PROVIDE WATERPROOFING ENVELOPE FOR EXTERIOR FACES OF BASEMENT WALL & SLAB.



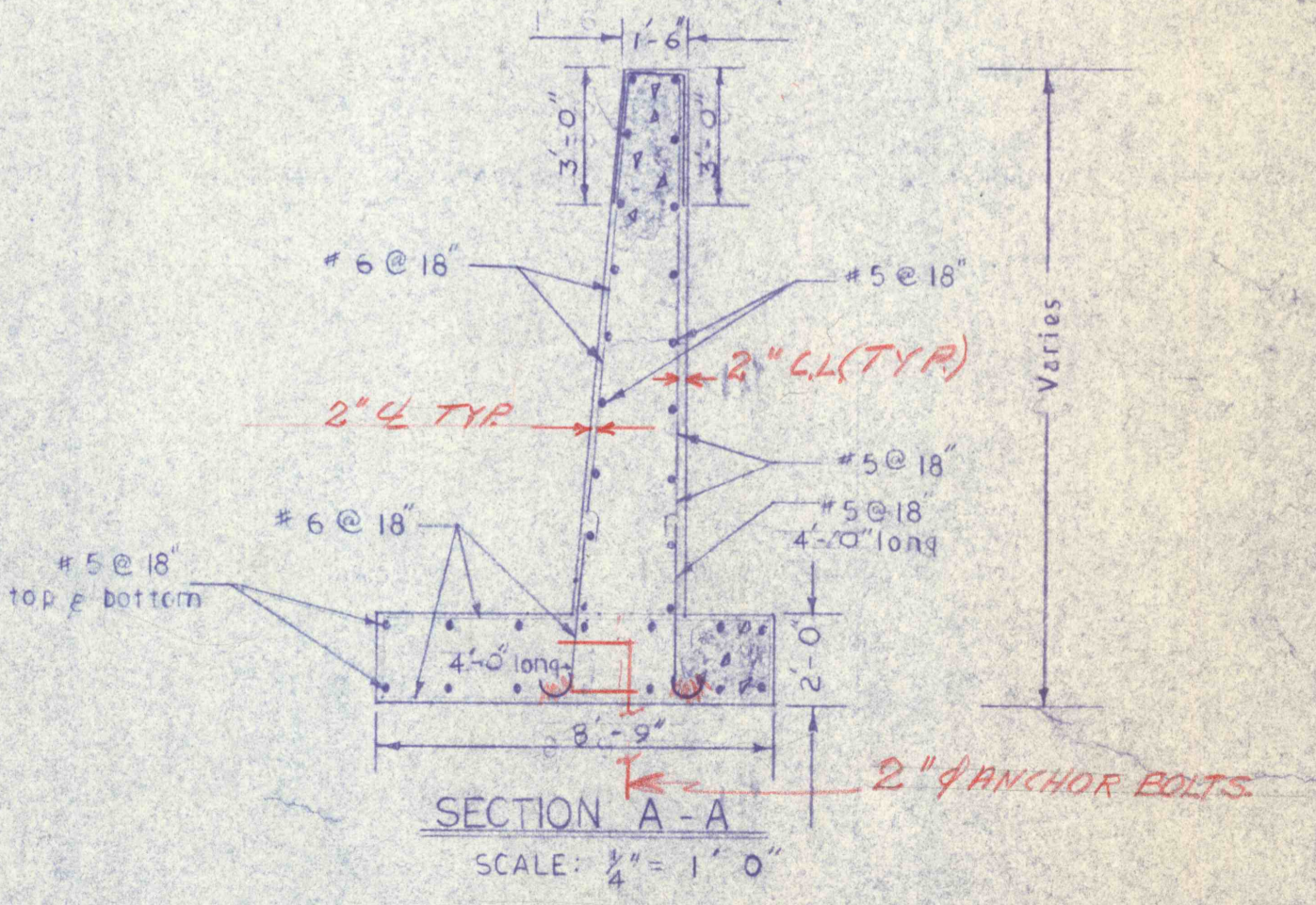
SECTION B-B
NO SCALE



ROOF BEAM SECTION
NO SCALE



FLOOR BEAM SECTION
NO SCALE



SECTION A-A
SCALE 1/4" = 1'-0"

- REF DWGS
C-19 - SLUDGE THICKENER MECH.
C-21 - SLUDGE HOLDING PIT PUMP FDN. DETAILS



REVISIONS	

SLUDGE THICKENER - STRUCTURAL

CONSTRUCTION OF TREATMENT FACILITIES FOR ACID MINE DRAINAGE
RAUSCH CREEK WATERSHED
SCHUYLKILL COUNTY PENNSYLVANIA

DATE: NOV. 1969
SCALE: NOTED
DRAWN: G.C.E.
APPROVED: T.H.P./J.L.

ANTHRACITE RESEARCH & DEVELOPMENT CO. INC.
consulting engineers
POTTSVILLE PENNSYLVANIA TAMAGUA

JOB NO: 6805
SCALE: NOTED
DRAWN: G.C.E.
APPROVED: T.H.P./J.L.

C-18