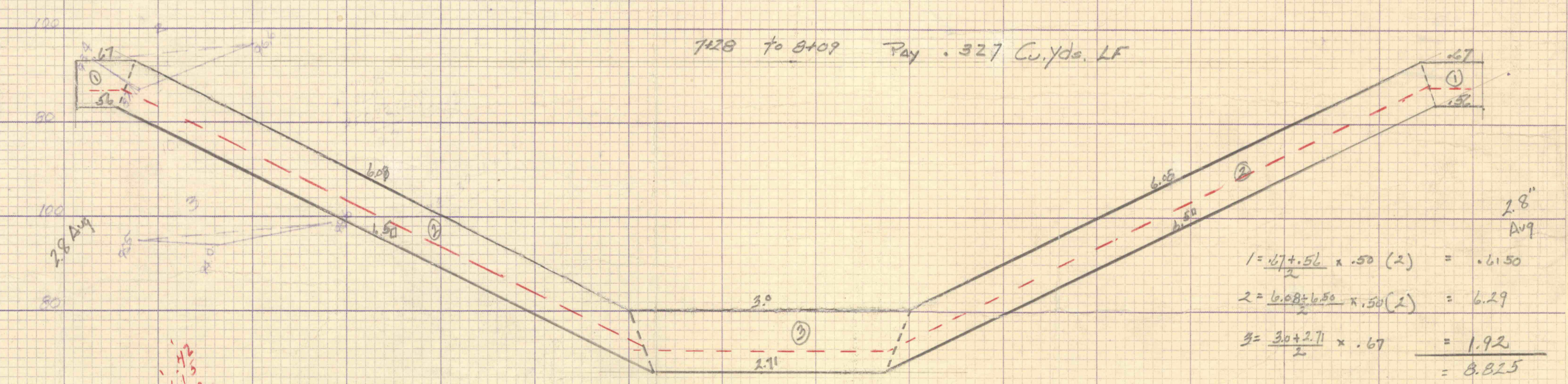
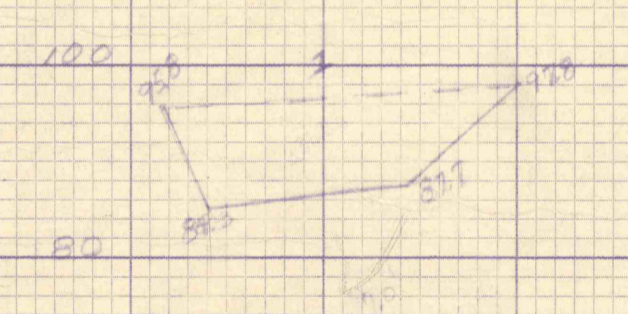
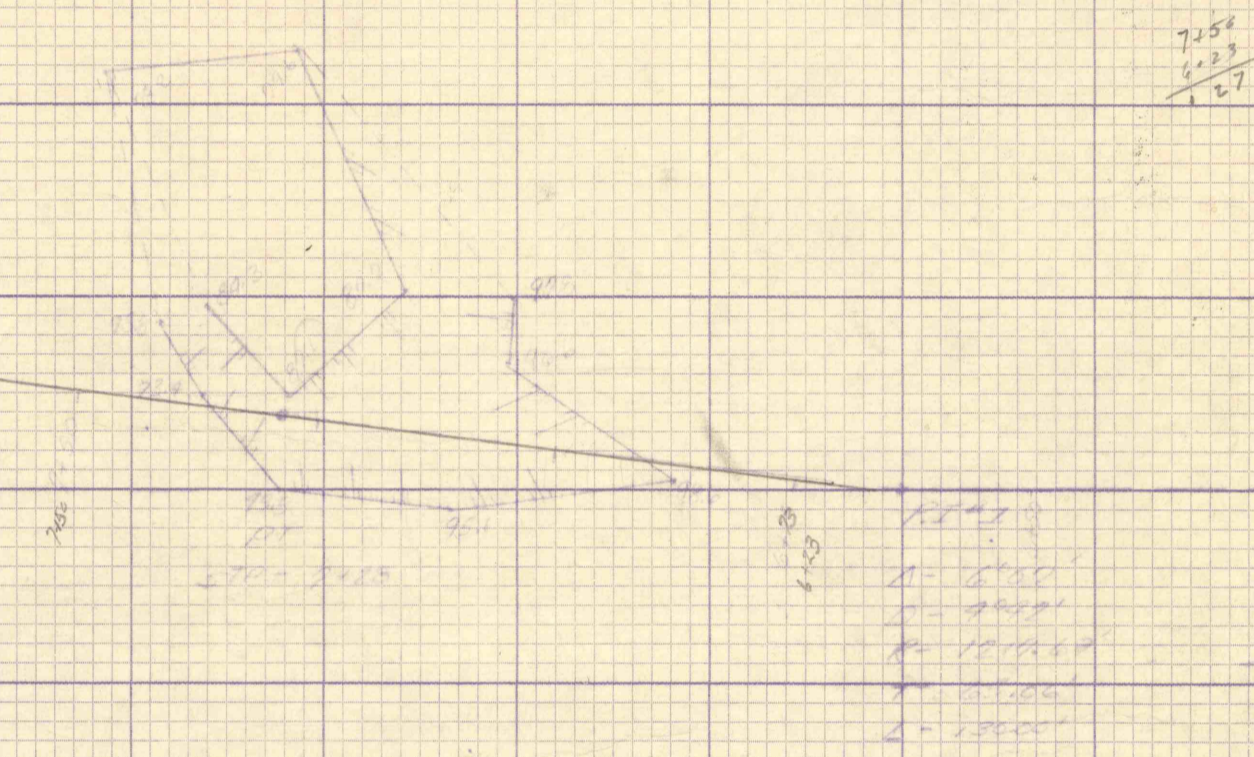
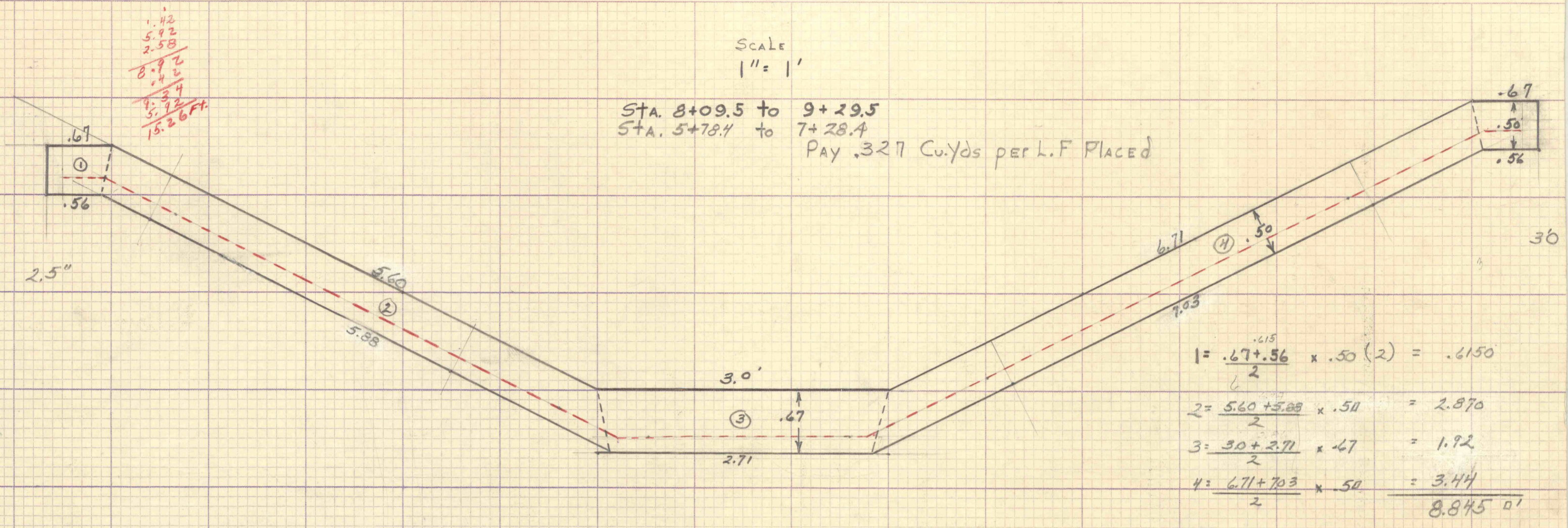
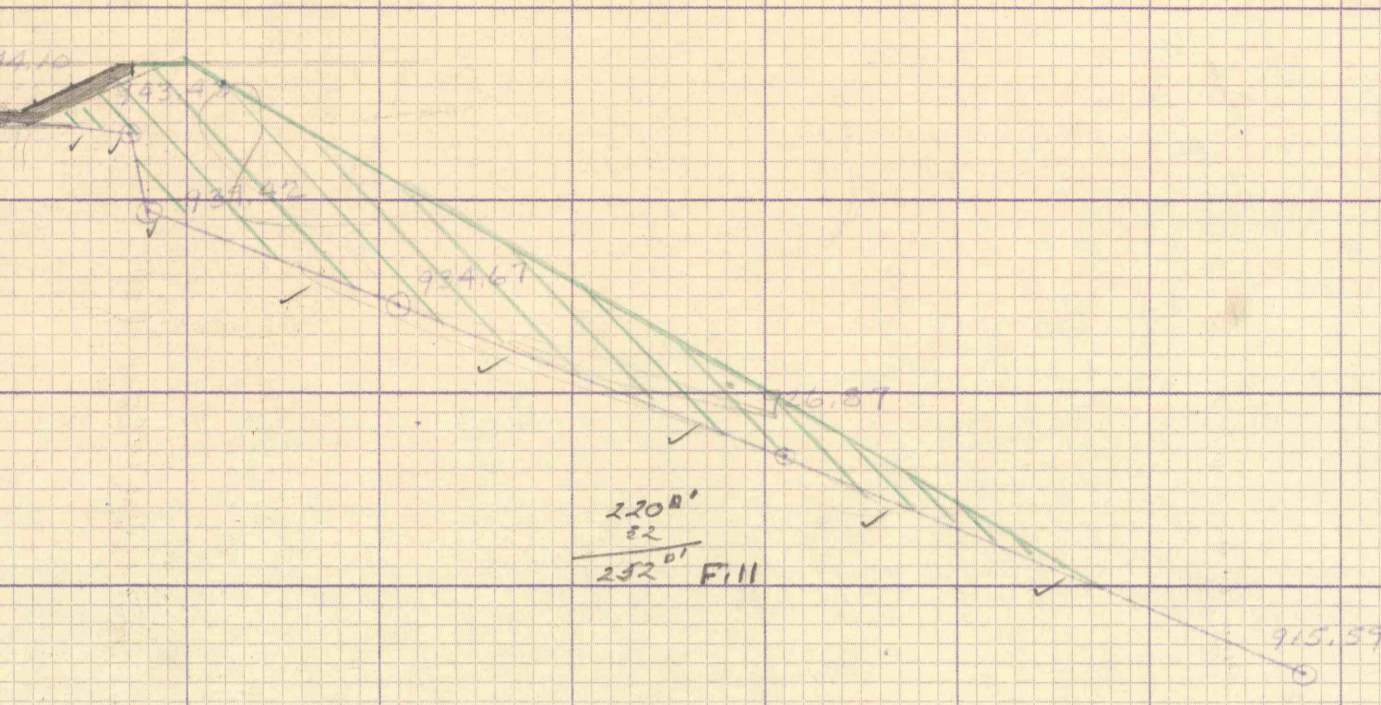


$$\begin{array}{r} 2.25 \\ 215.5 \\ \hline 15.84 \end{array}$$

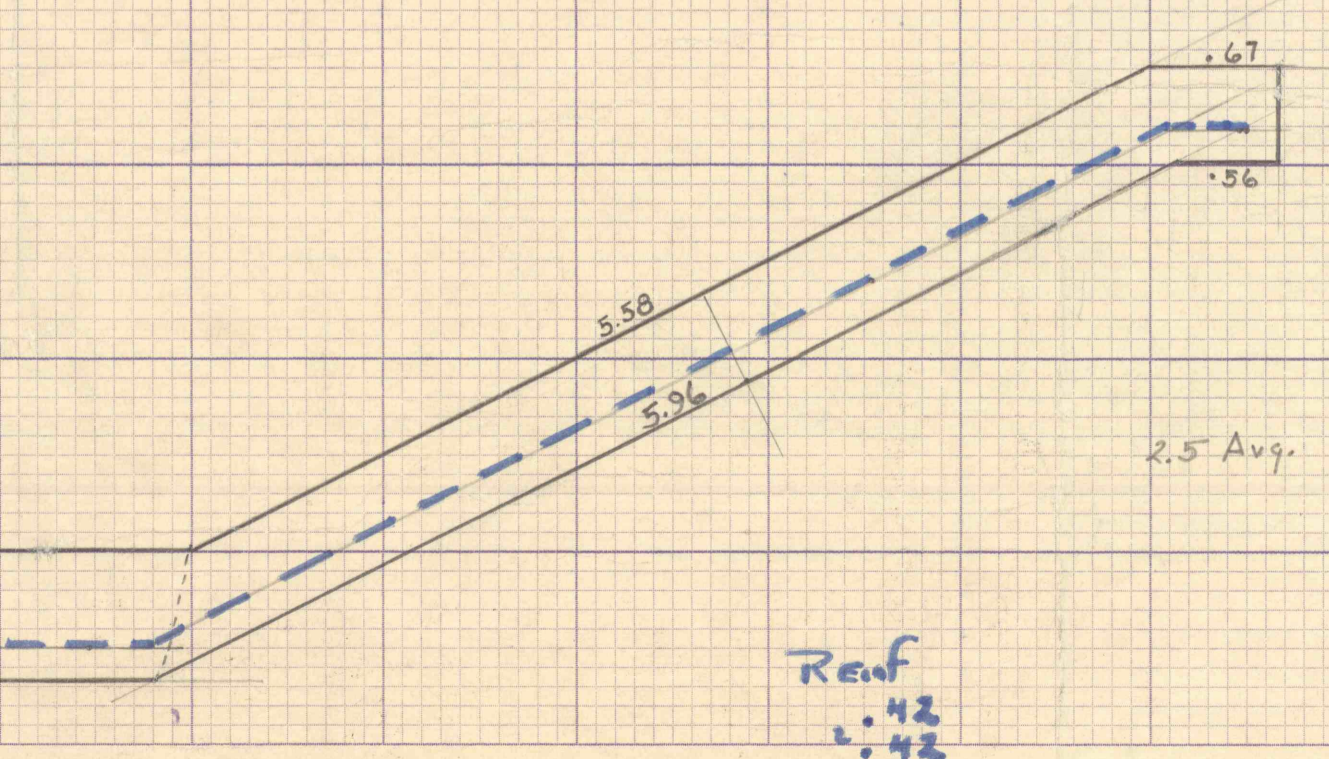
GRADE
 CROSS SECTION
 10 X 10
 214000

GRADE
 CROSS SECTION
 10 X 10
 214000

10 20 30 40 50 60 70



43
 Pay .3172 Cu.Yds. per L.F. placed.
 Avg.



Reinf
 1.42
 1.42
 1.45
 1.45
 5.90
 15.84

$$\begin{array}{r} .67 + .56 \times .50 (2) = .6150 \\ 6.17 + 6.12 \times .50 = 6.20 \\ 3.0 + 2.60 \times .47 = 1.88 \\ 5.58 + 5.96 \times .50 = 5.89 \\ \hline 8.5650 \\ 27 \end{array}$$

$$\begin{array}{r} 15.84 \\ 15.84 \\ \hline 15.84 \end{array}$$

$$\begin{array}{r} 92 \\ 64 \\ \hline 94 \end{array}$$