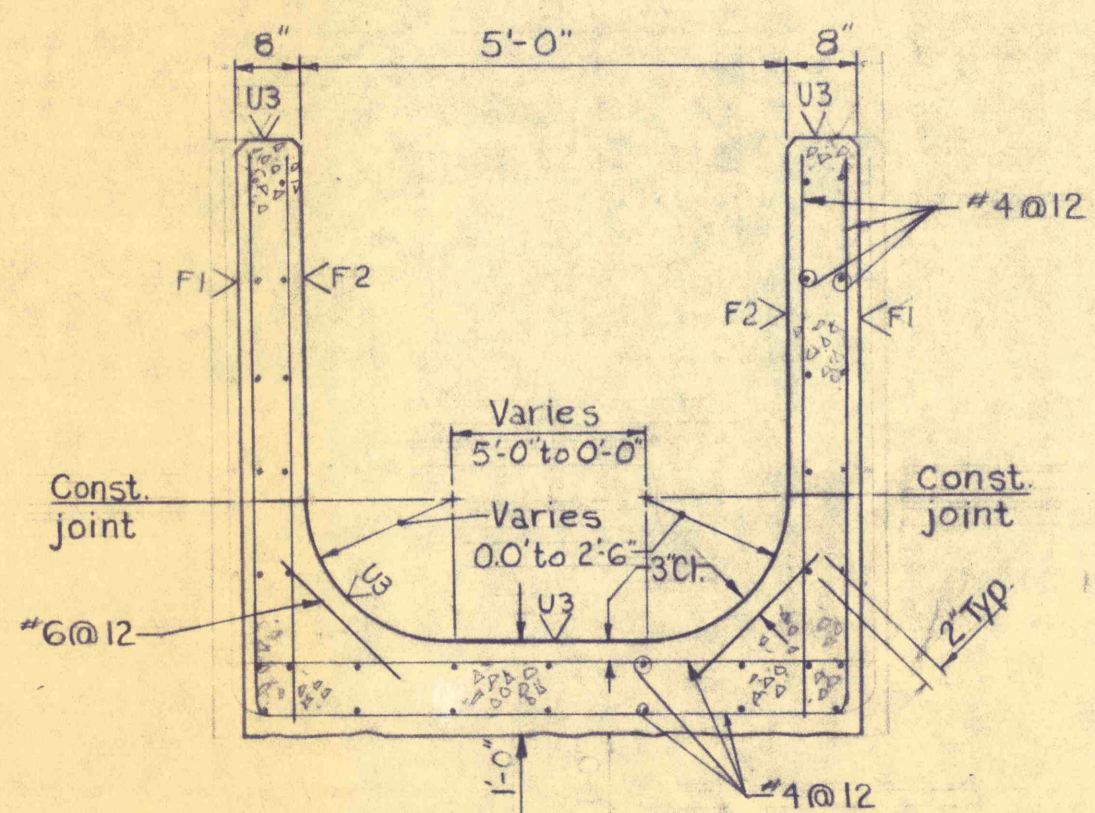
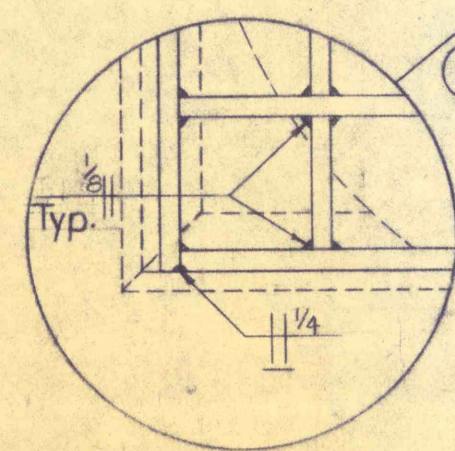


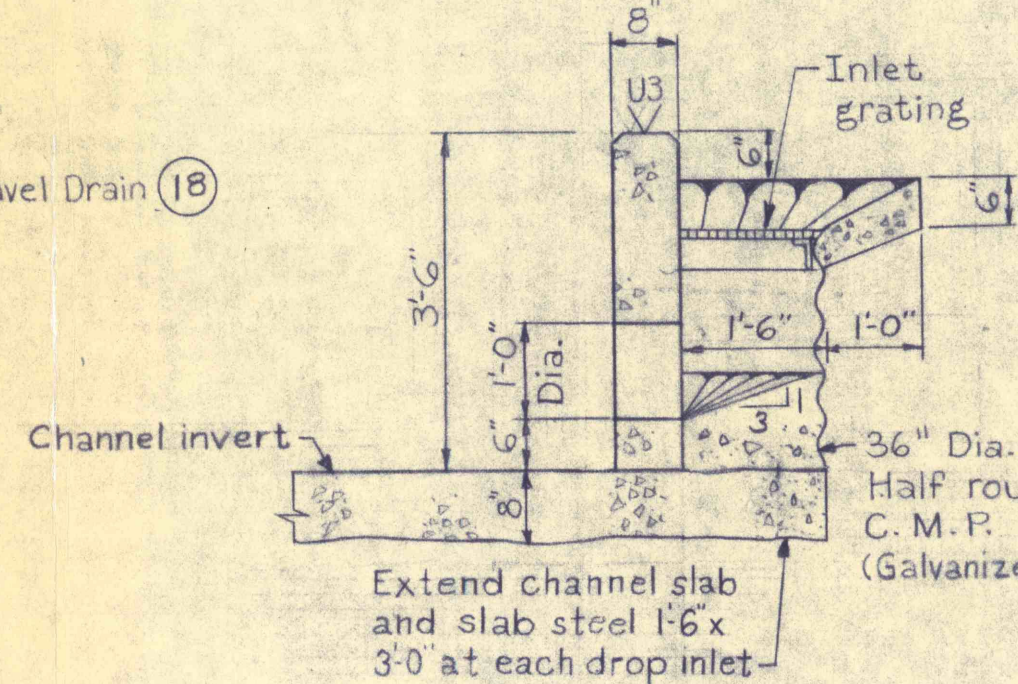
TYPICAL RECTANGULAR CHANNEL
STA. 11+95 TO STA. 13+45
Scale: 1/2 in. = 1 ft.



SECTION 10A/10
INLET TRANSITION
Scale: 1/2 in. = 1 ft.

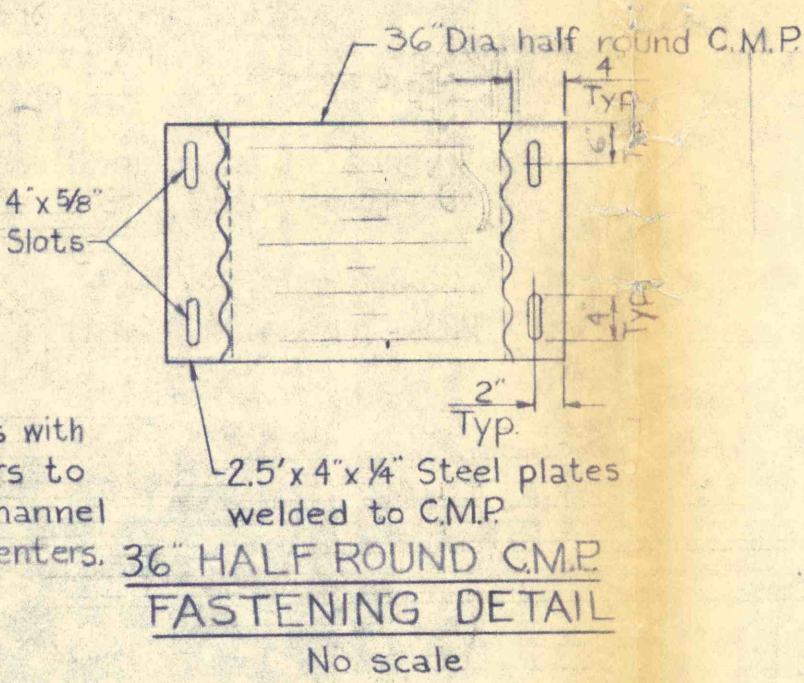


ELEVATION
TRASH RACK DETAILS
Scale: 1/2 in. = 1 ft.



SECTION 10A/10
DROP INLET
Scale: 1/2 in. = 1 ft.

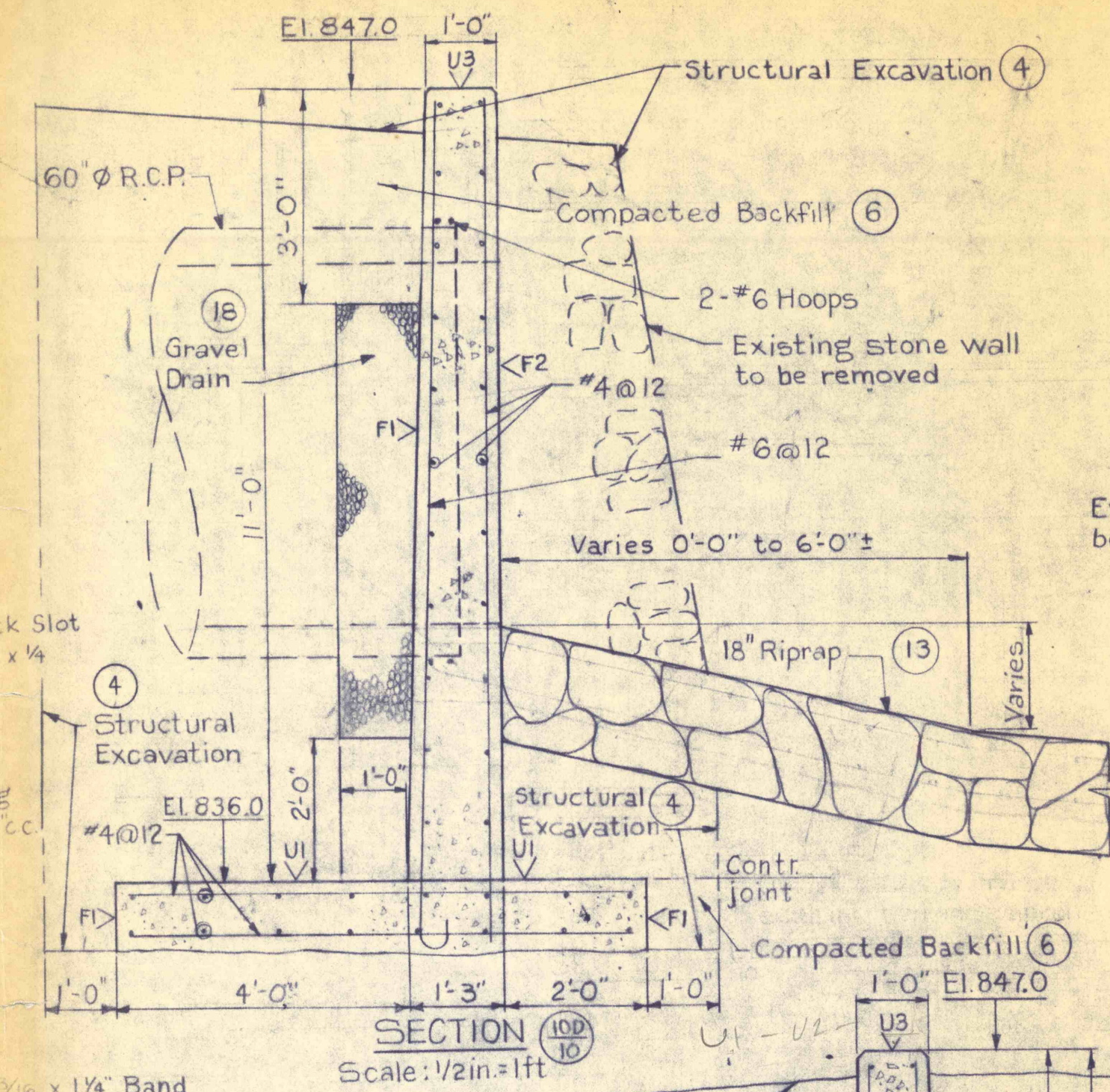
INLET GRATING SUPPORT DETAIL
No scale



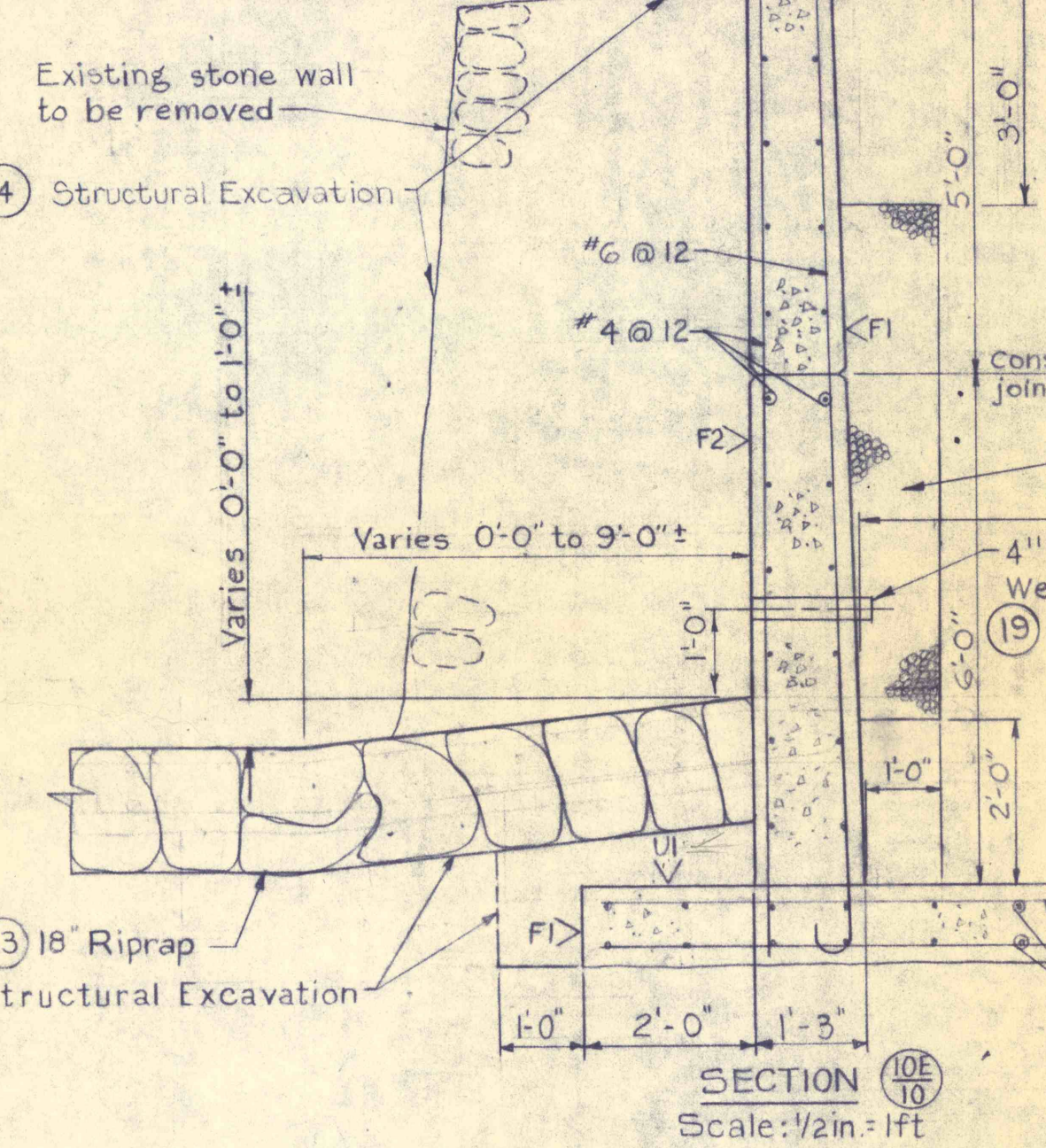
Note: 1/2" Anchor bolts with nuts and washers to be cast into channel wall on slot centers.

END VIEW

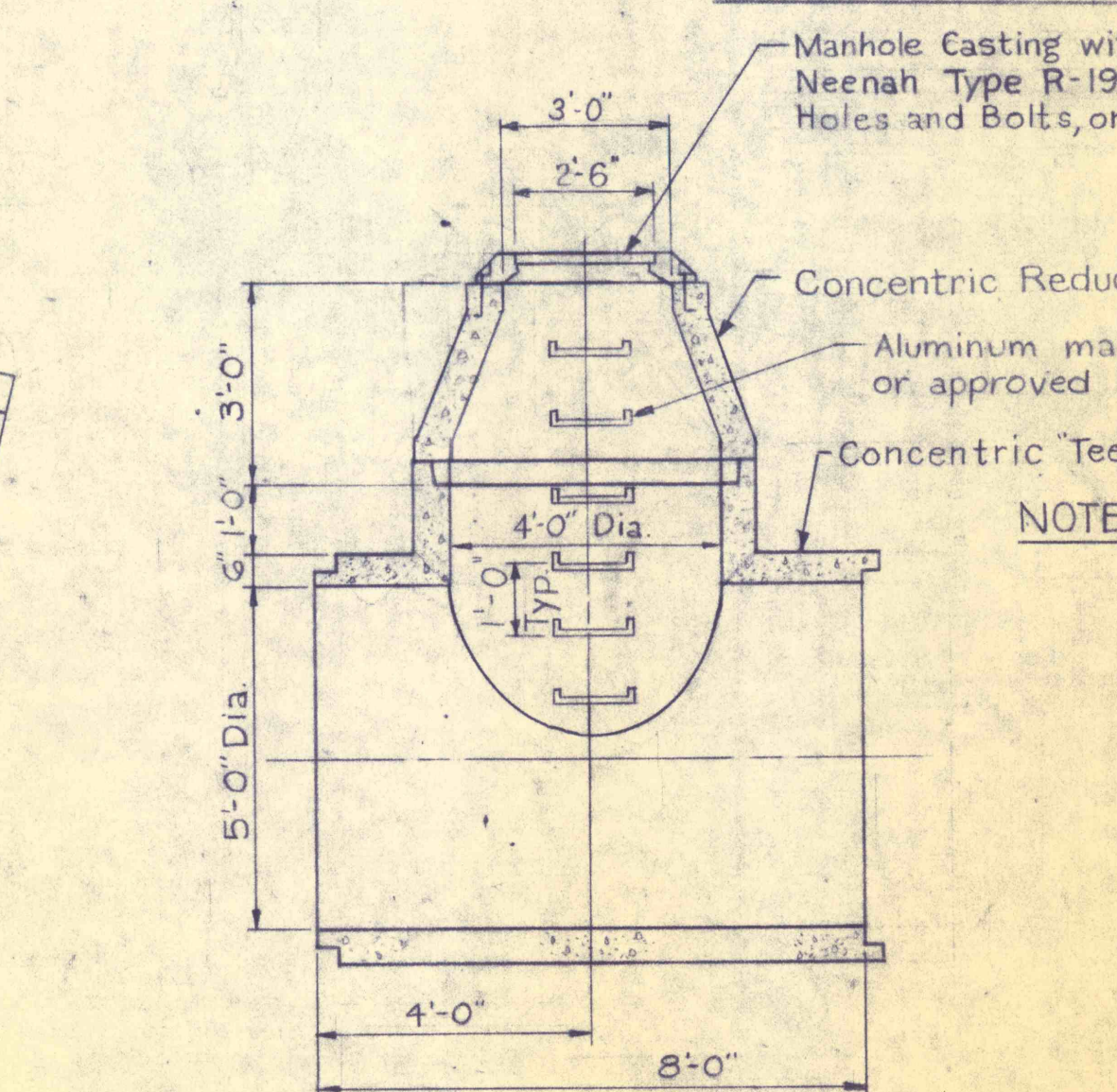
CONCRETE INLET STRUCTURE



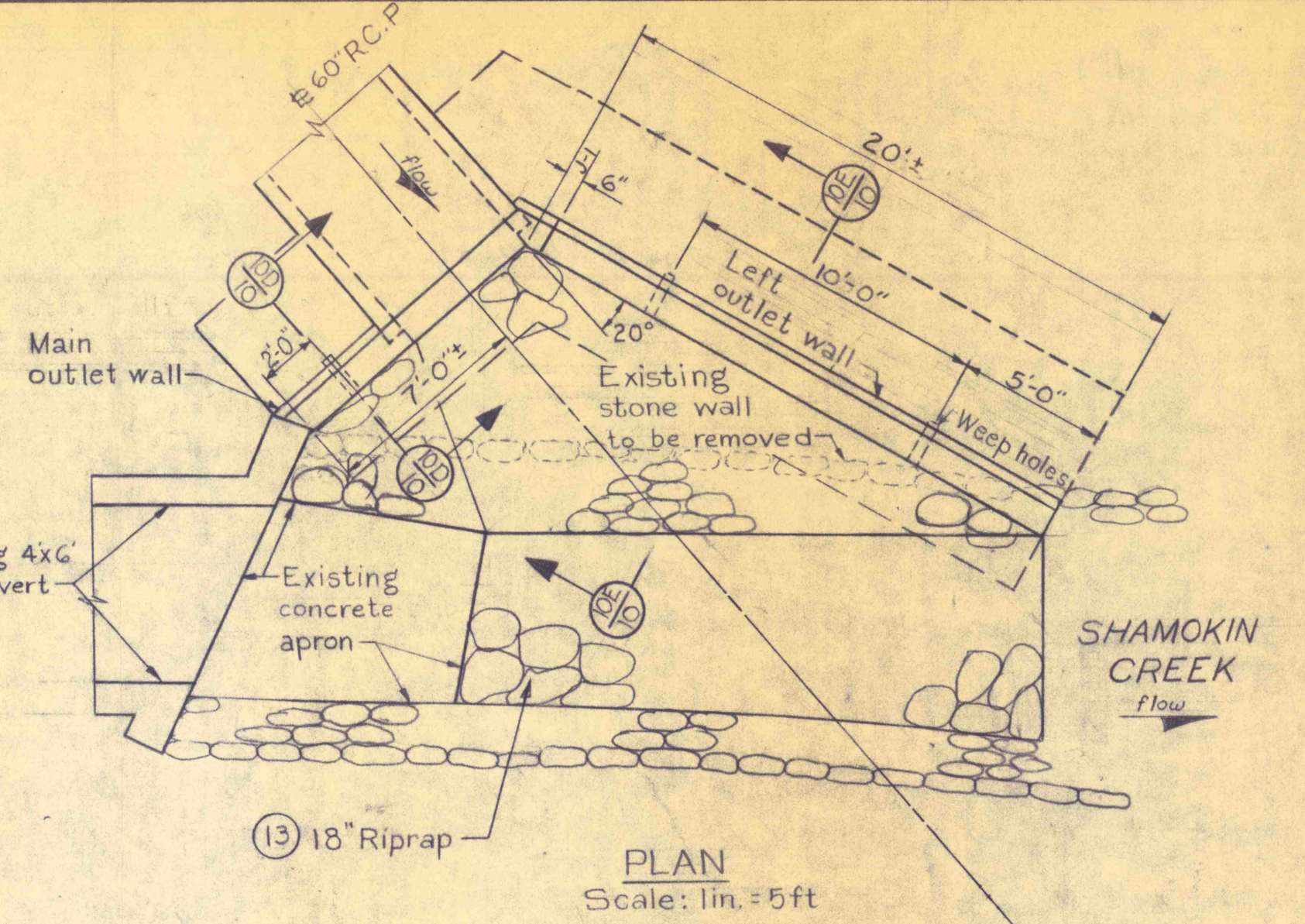
SECTION 10E/10
Scale: 1/2 in. = 1 ft.



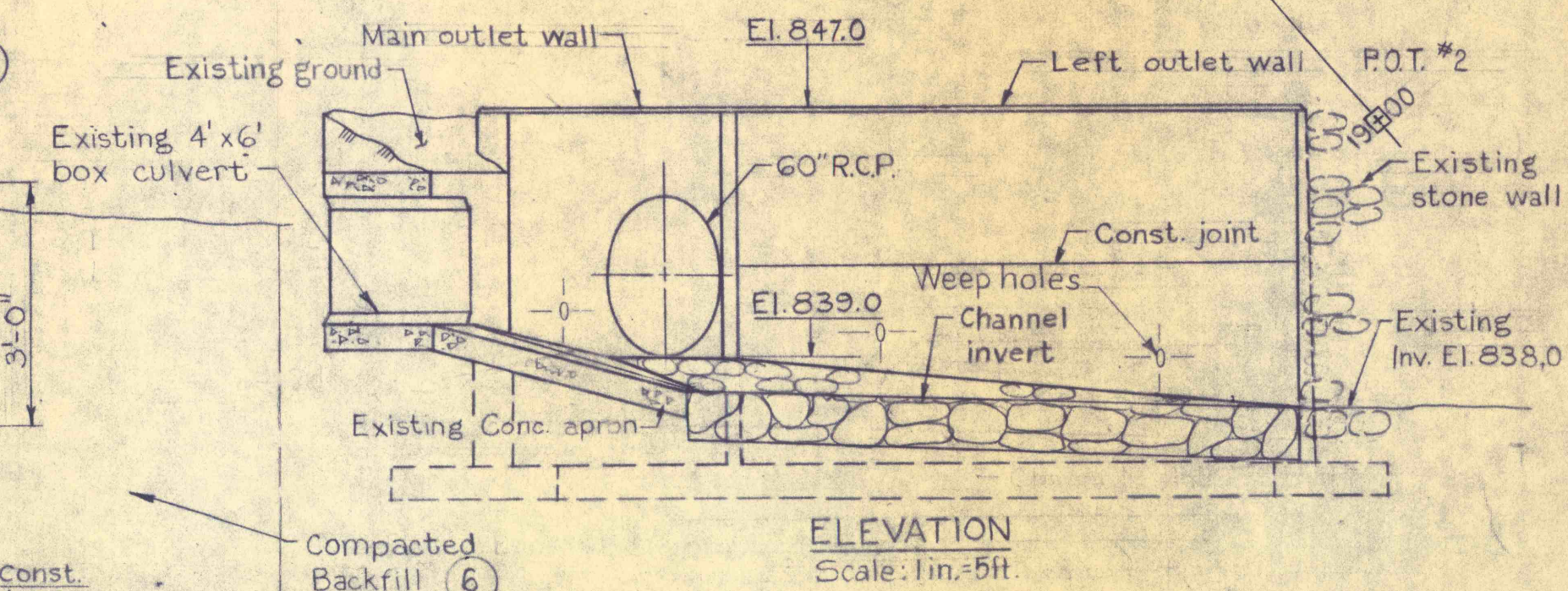
CONCRETE OUTLET STRUCTURE



PRE-CAST REINFORCED CONCRETE MANHOLE
No scale



PLAN
Scale: 1 in. = 5 ft.



ELEVATION
Scale: 1 in. = 5 ft.

REFERENCES:

1. Plan and Profile --- Dwg. No's 3, 4 and 5
2. Cross Sections --- Dwg. No's 6 and 7

NO.	DATE	REVISION	APPR.
19	4/7/76	Add chain link fence	
SUBMITTED			
PROJECT CO-ORDINATOR			
APPROVED			
CHIEF-DIVISION OF MINE RECLAMATION			
APPROVED			
DIRECTOR - BUREAU OF DESIGN			
COMMONWEALTH OF PENNSYLVANIA			
DEPARTMENT OF ENVIRONMENTAL RESOURCES			
OFFICE OF RESOURCES MANAGEMENT			
CONTRACT NO. SL 113-3-1			
MINE DRAINAGE POLLUTION ABATEMENT			
MOUNT CARMEL			
SHAMOKIN CREEK WATERSHED			
NORTHUMBERLAND CO., PA.			
DETAILS			
DRAWN BY	DATE	DRAWING NO.	
ASW	8-18-75		
CHECKED BY	SCALE		
E.C.R.	As shown		
			10 of 10