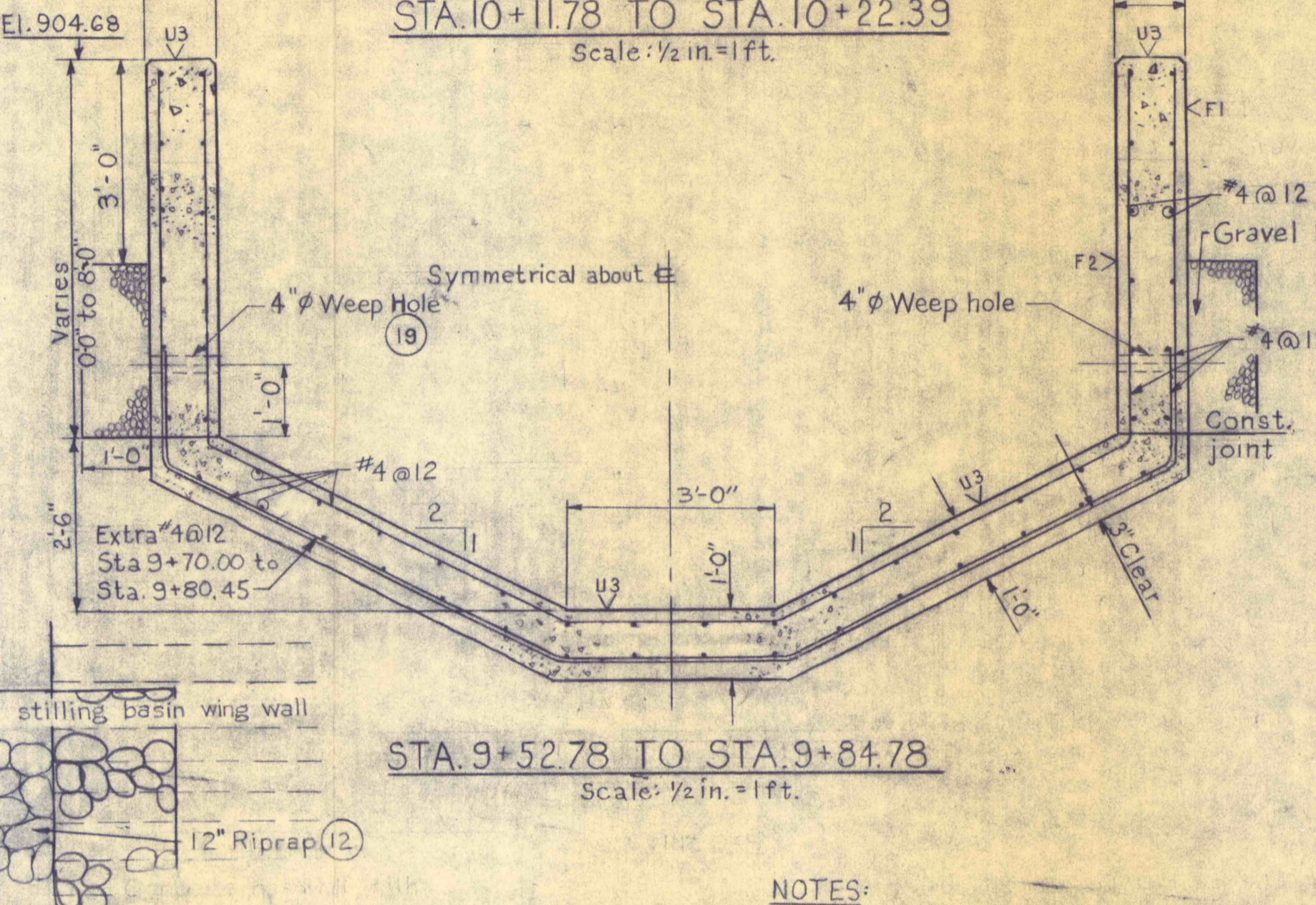
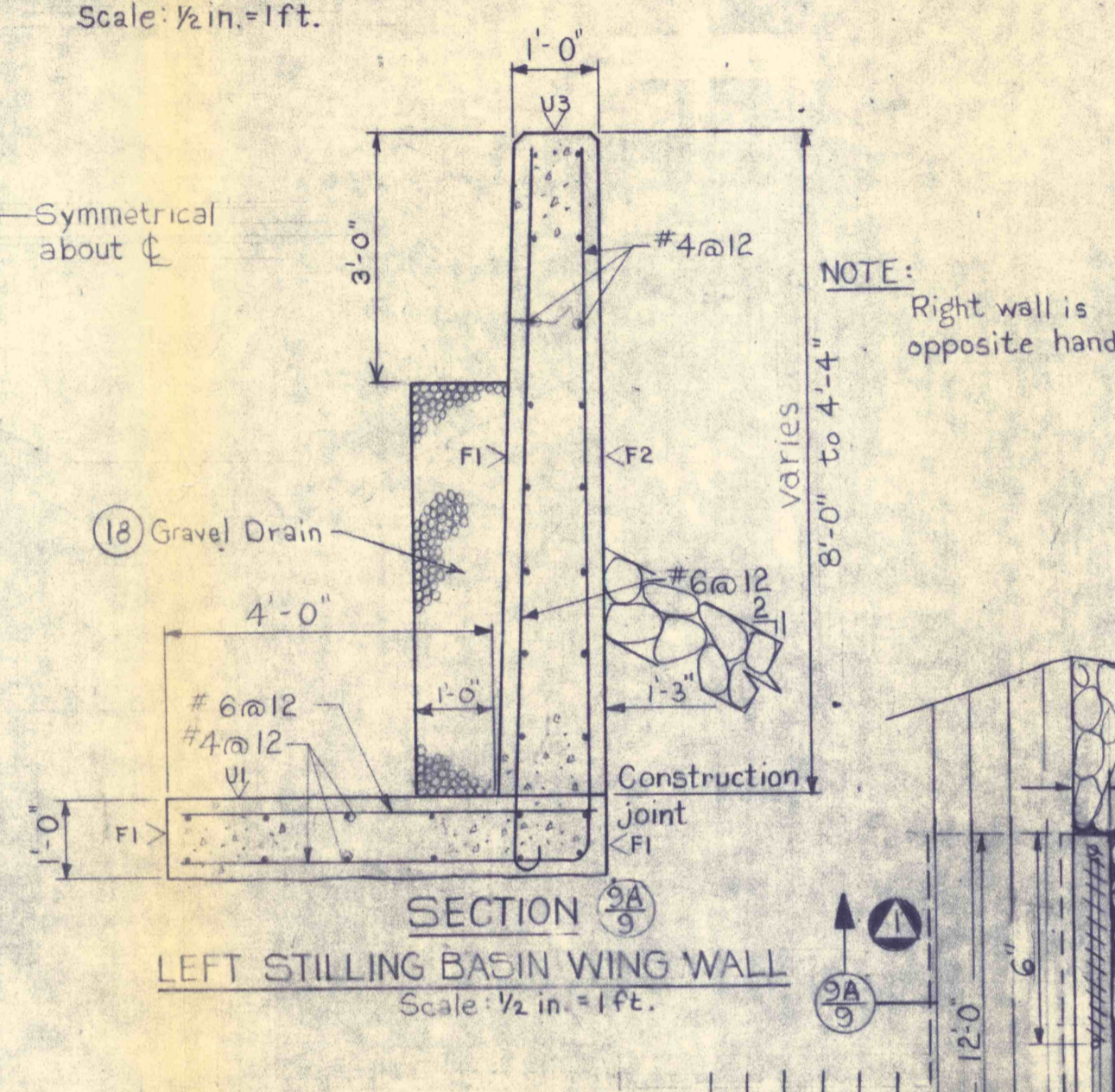
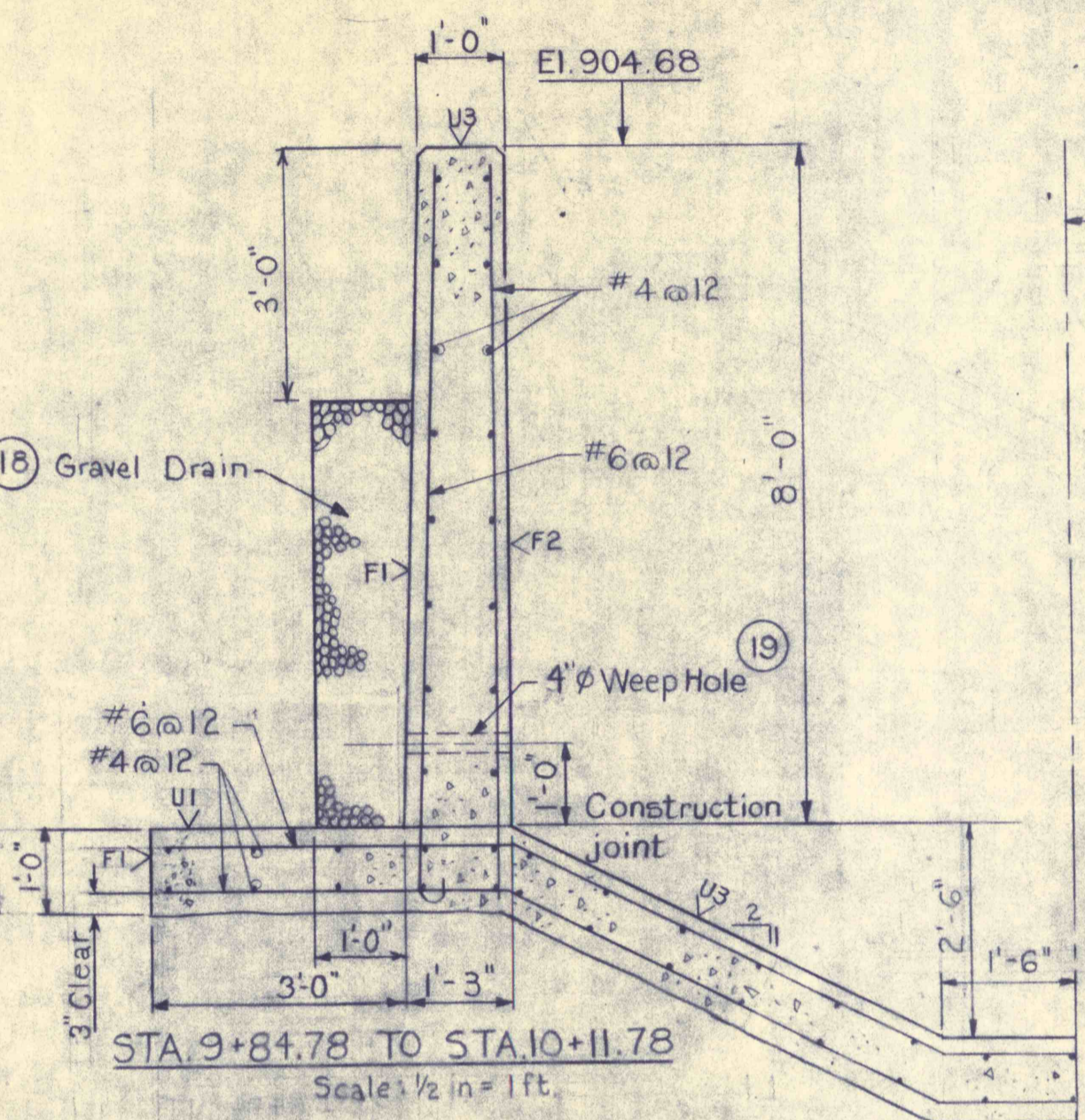
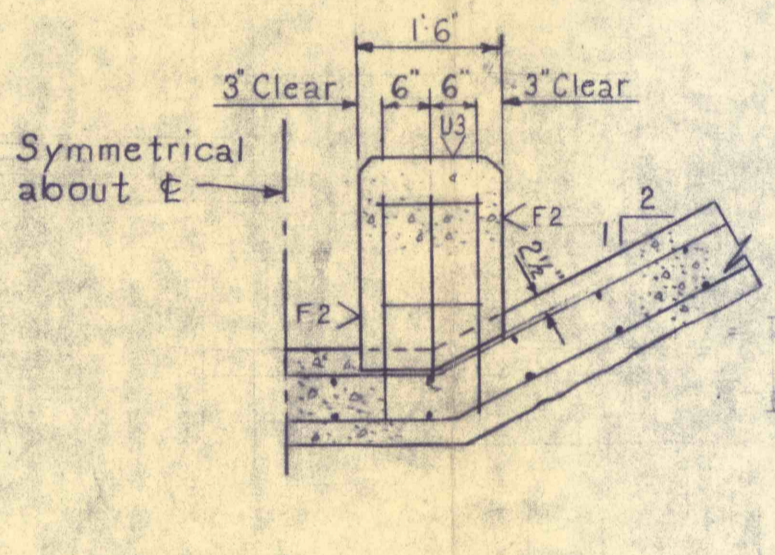
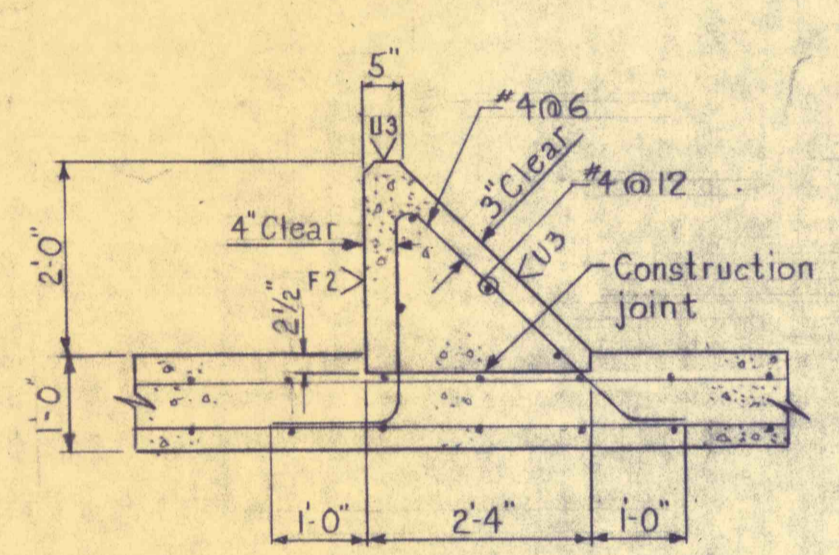
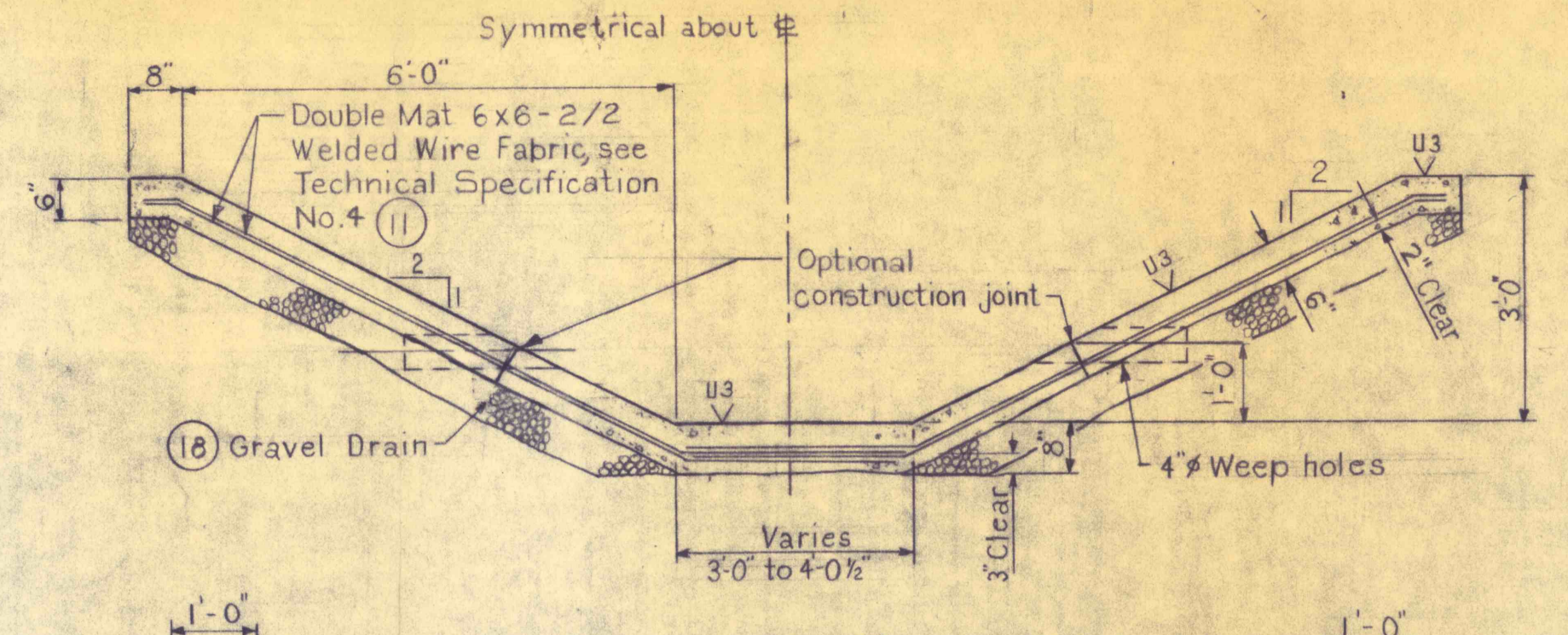
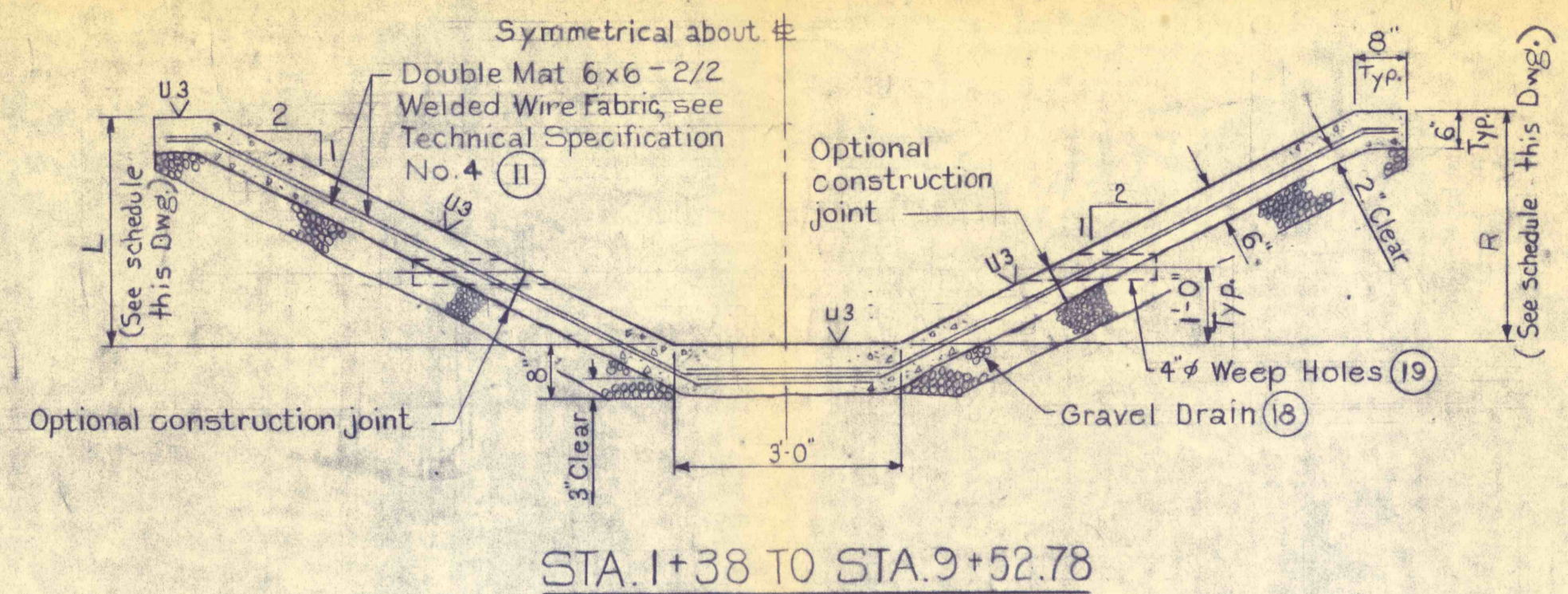
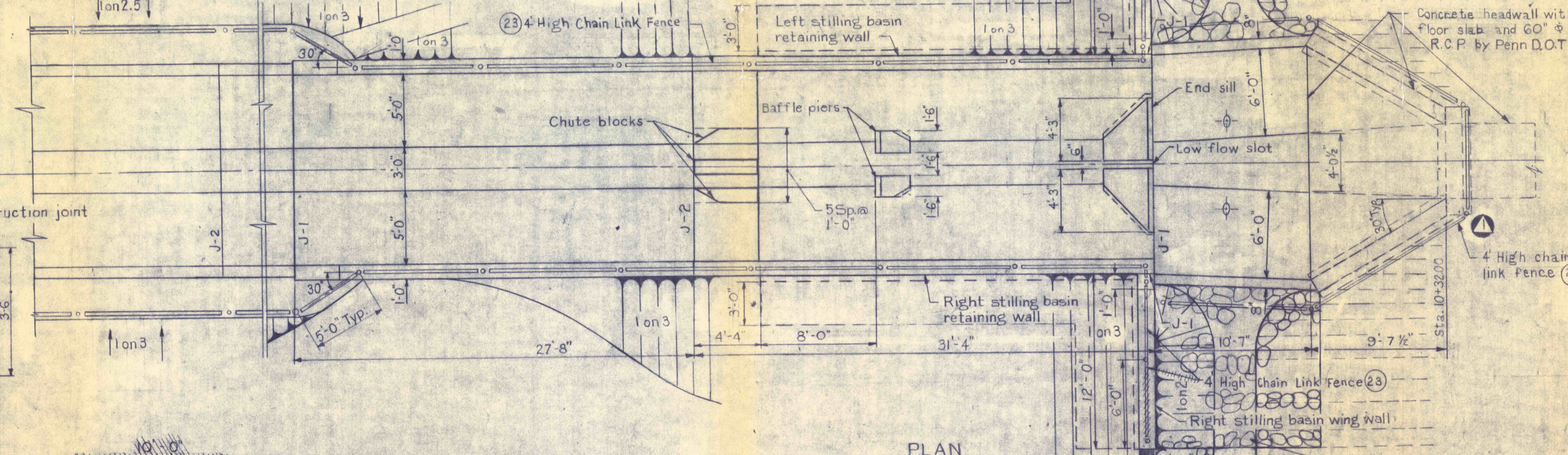


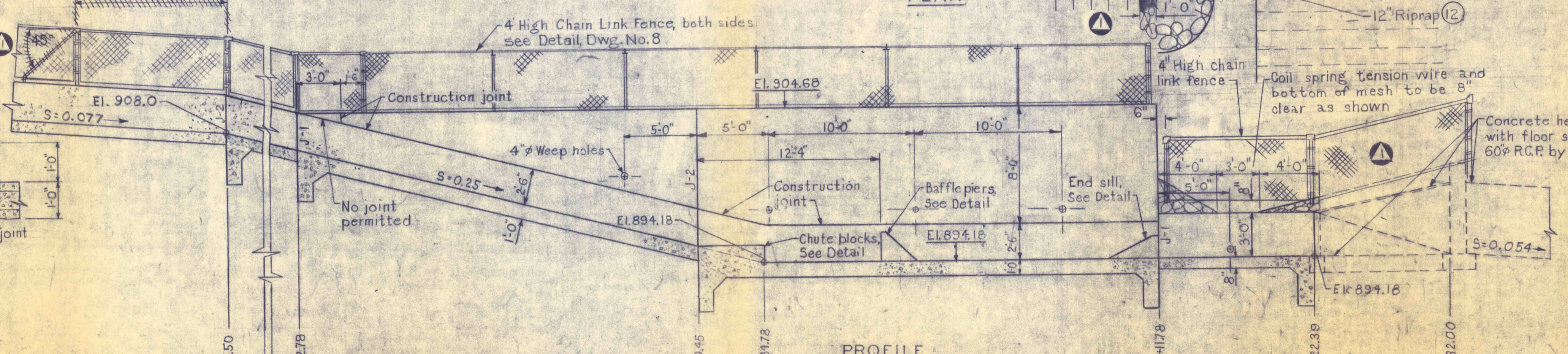
TRAPEZOIDAL CHANNEL SIDE HEIGHT SCHEDULE	Stations	R
2'-5"	1+38 to 2+00	2'-5"
2'-5" to 2'-7"	2+00 to 2+95.63	2'-5"
2'-7"	2+95.63 to 4+45.63	2'-5"
2'-7" to 3'-0"	4+45.63 to 5+78.43	2'-5" to 2'-6"
3'-0"	5+78.43 to 7+28.43	2'-6"
3'-0" to 2'-6"	7+28.43 to 8+09.50	2'-6" to 3'-0"
2'-6"	8+09.50 to 9+29.50	3'-0"
2'-6"	9+29.50 to 9+52.78	3'-0" to 2'-6"



BAFFLE PIERS
Scale: 1/2 in. = 1 ft.



END SILL AND CUTOFF WALL
Scale: 1/2 in. = 1 ft.



CHUTE BLOCK AND CUTOFF WALL
Scale: 1/2 in. = 1 ft.

STILLING BASIN
Scale: 1 in. = 5 ft.

NOTES:
1. For General Notes, see Dwg. No. 3.
2. For Concrete Notes, see Dwg. No. 8.

REFERENCES:
1. Plan and Profile Dwg. No. 3, 4 and 5.
2. Cross Sections Dwg. No. 6 and 7.

NO.	DATE	REVISION	APPR.
18Apr76		Delete portion of chain link fence from wingwalls. Add chain link fence.	FHC
SUBMITTED			
PROJECT CO-ORDINATOR			
APPROVED <i>Albert A. Ranieri</i> CHIEF-DIVISION OF MINE RECLAMATION			
APPROVED <i>Bondili P. Rao</i> DIRECTOR - BUREAU OF DESIGN			
COMMONWEALTH OF PENNSYLVANIA DEPARTMENT OF ENVIRONMENTAL RESOURCES OFFICE OF RESOURCES MANAGEMENT CONTRACT NO. SL 113-3-1 MINE DRAINAGE POLLUTION ABATEMENT MOUNT CARMEL SHAMOKIN CREEK WATERSHED NORTHUMBERLAND CO., PA.			
DETAILS			
DRAWN BY <i>E.L.A.</i>	DATE 20 Aug. 75	DRAWING NO. 9 of 10	
CHECKED BY <i>E.C.R.</i>	SCALE As shown		