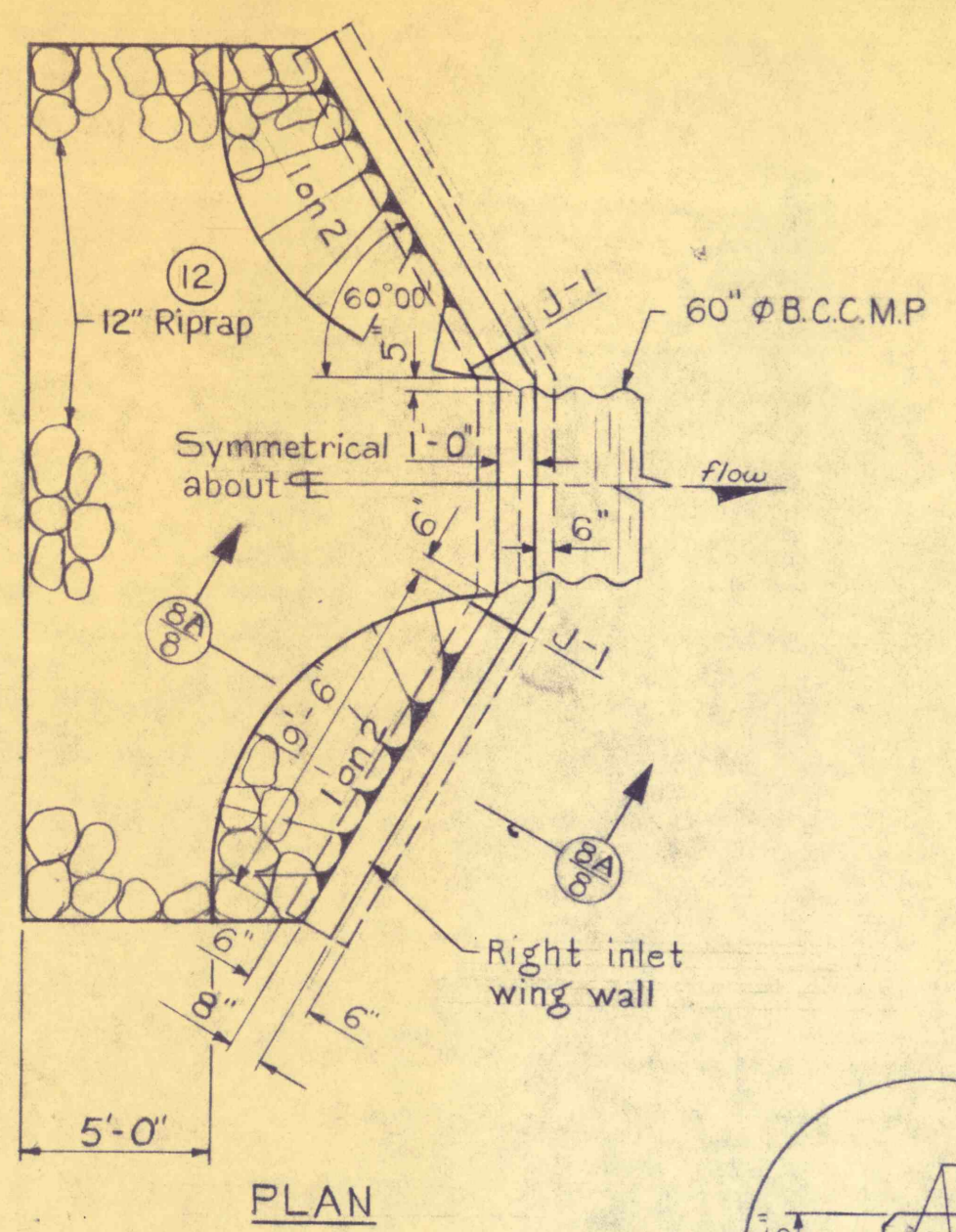


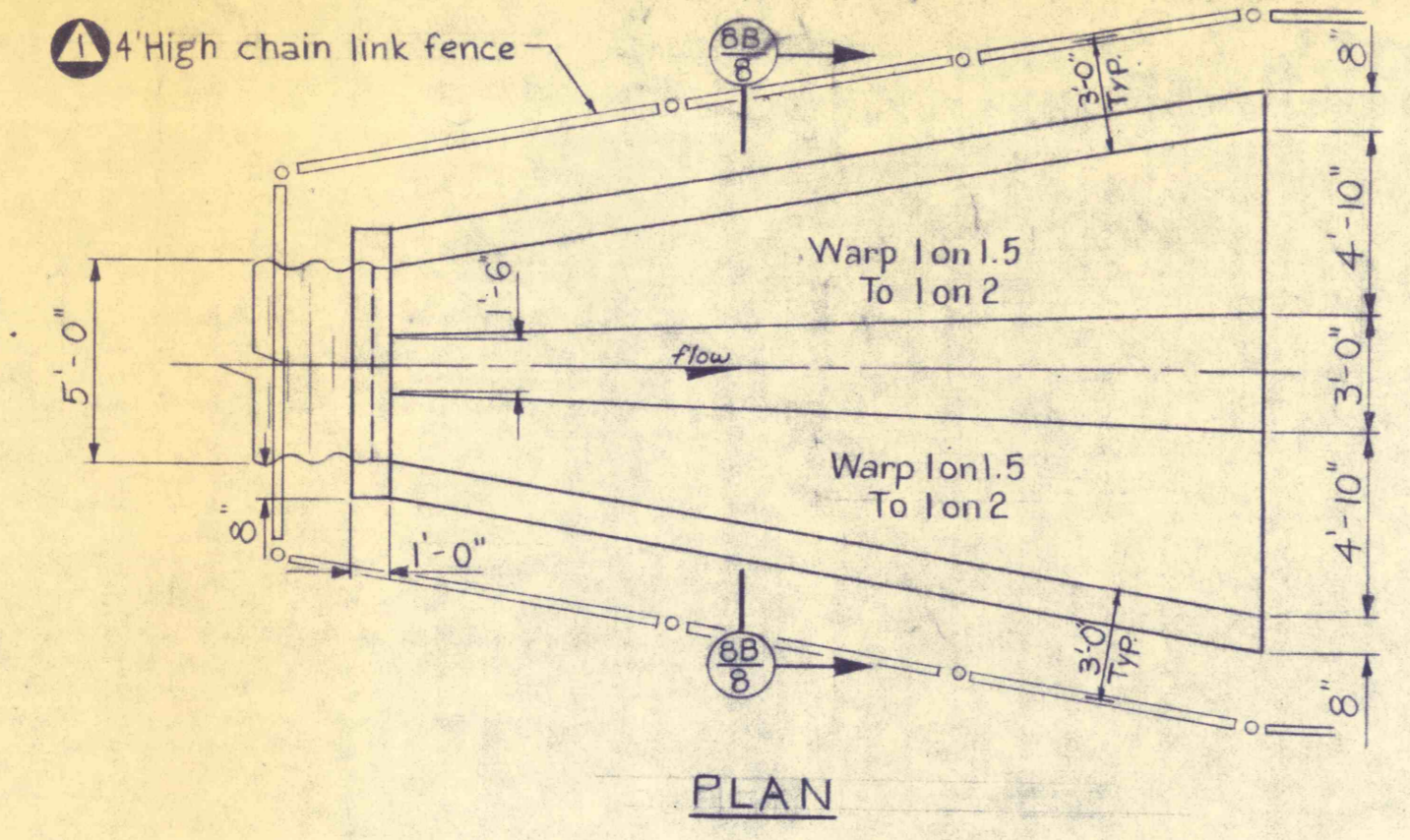
**TRANSVERSE JOINT LOCATIONS**

STATION	JOINT TYPE	STATION	JOINT TYPE
1+38	2	6+68	2
1+66	1	6+97	1
1+94	2	7+26	1
2+22	1	7+55	2
2+50	1	7+84	1
2+78	2	8+13	1
3+06	1	8+42	2
3+34	1	8+71	1
3+62	2	9+00	1
3+90	1	9+29.50	2
4+18	1	9+52.78	1
4+45.63	2	9+80.45	2
4+71	1	10+11.78	1
4+98	1	10+22.39	2
5+25	2	11+95	2
5+52	1	12+25	1
5+79	2	12+55	1
6+09	1	12+85	2
6+39	1	13+15	1
		13+45	2

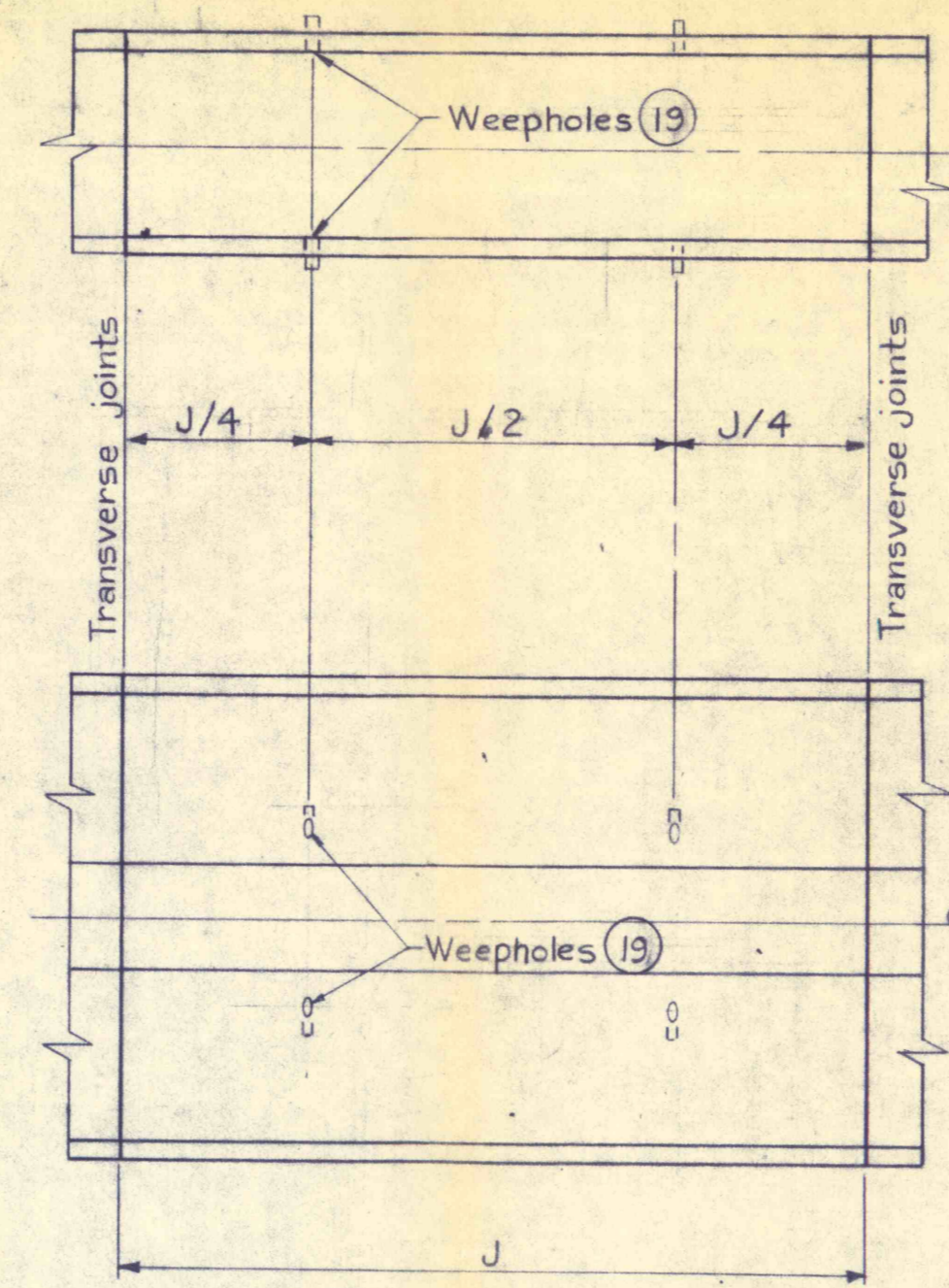
Note: See Joint Details this Dwg.



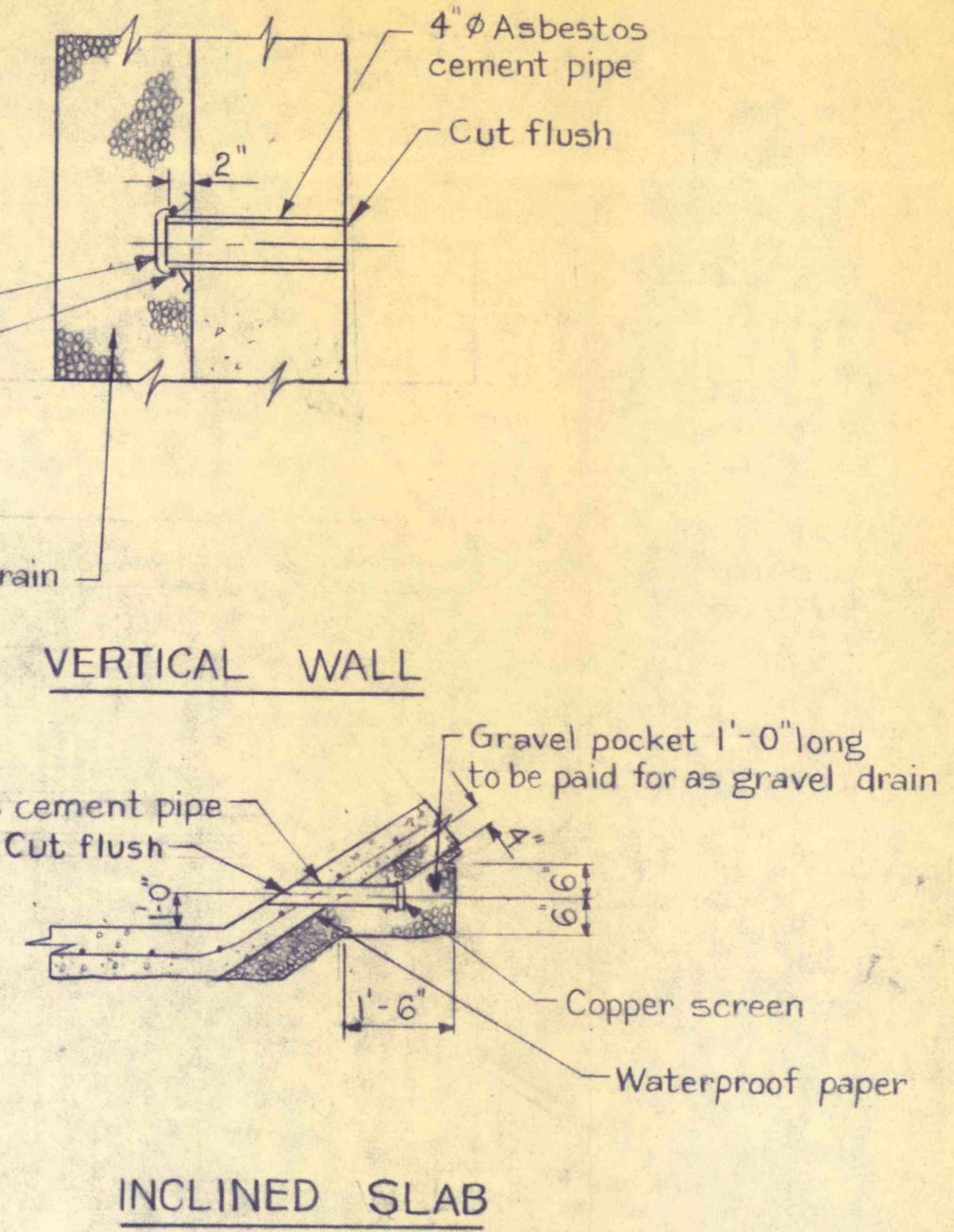
PLAN



PLAN

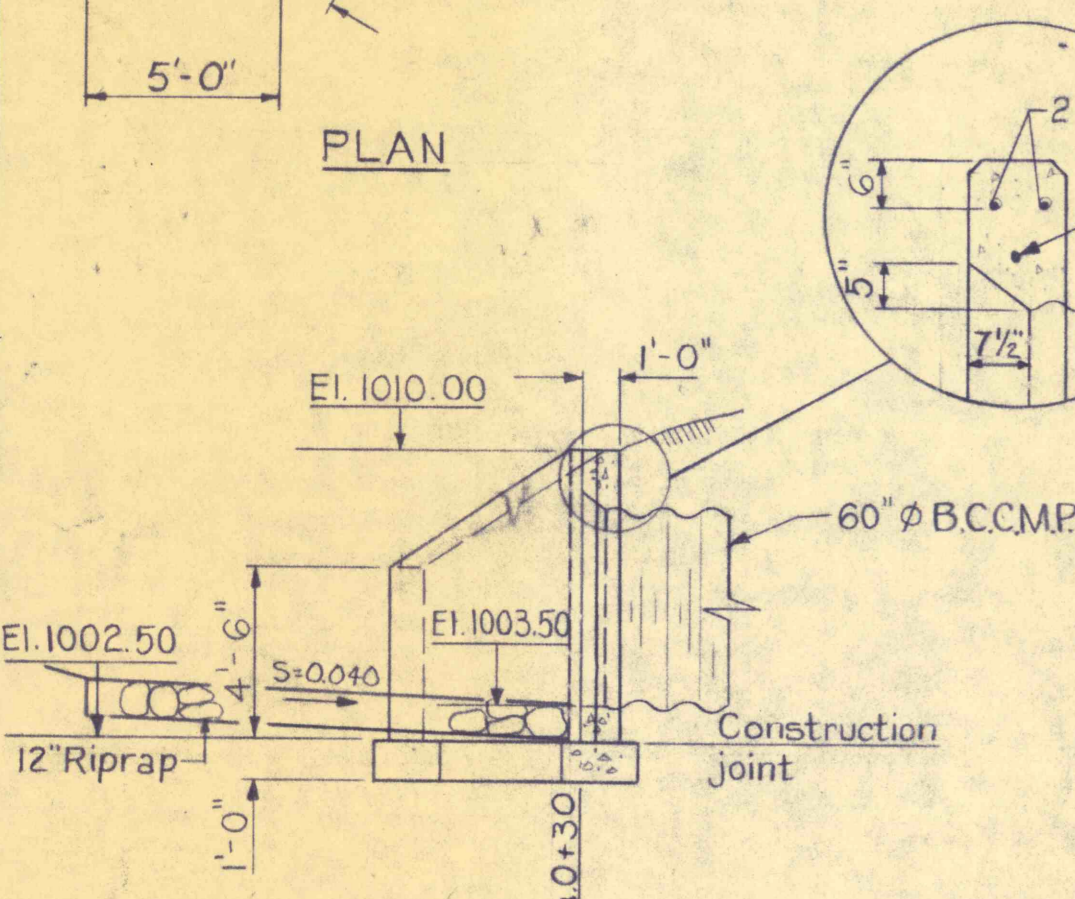


WEEP HOLE DETAILS  
No Scale

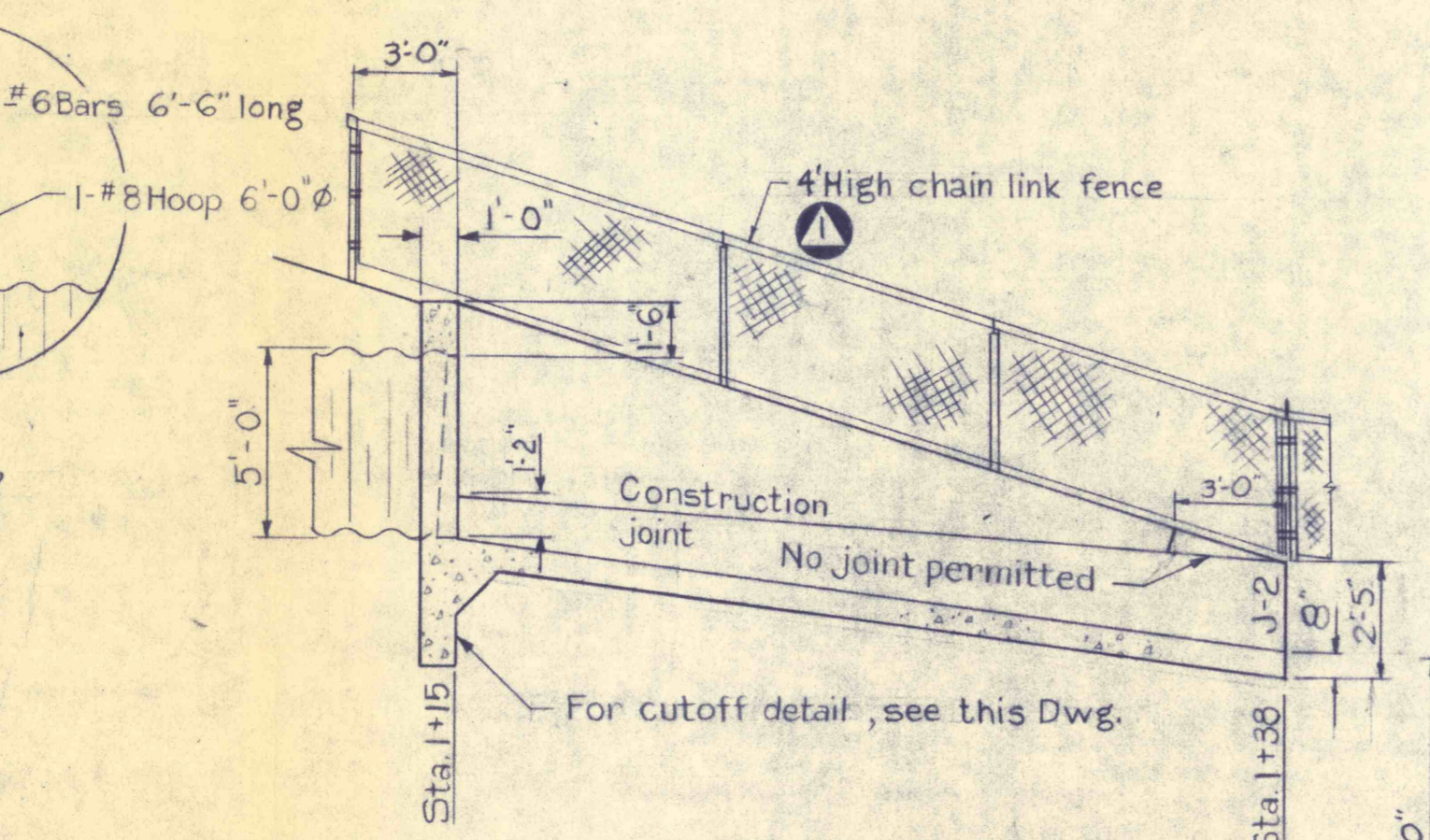


VERTICAL WALL

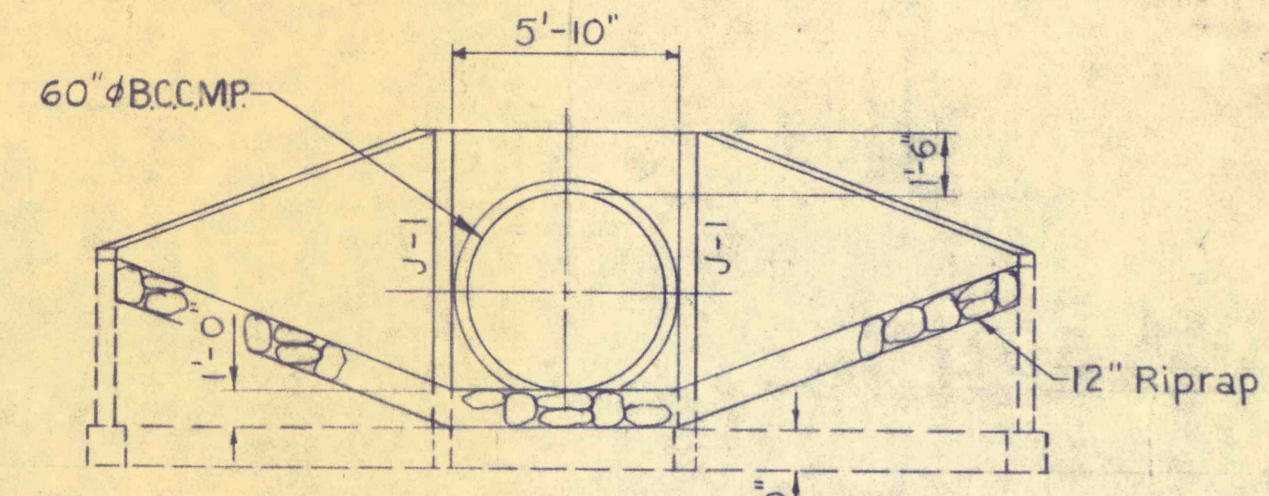
INCLINED SLAB



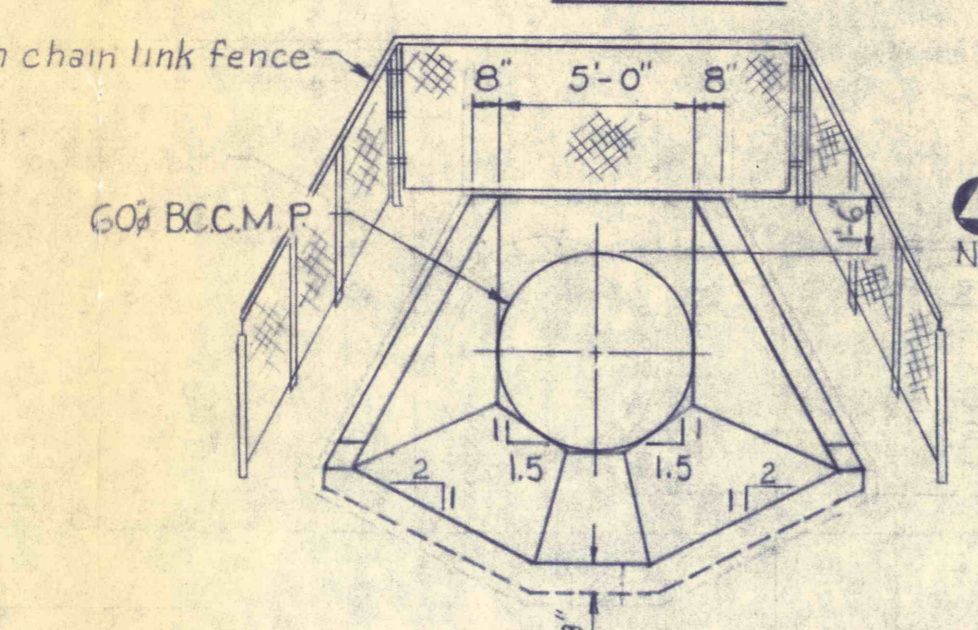
PROFILE



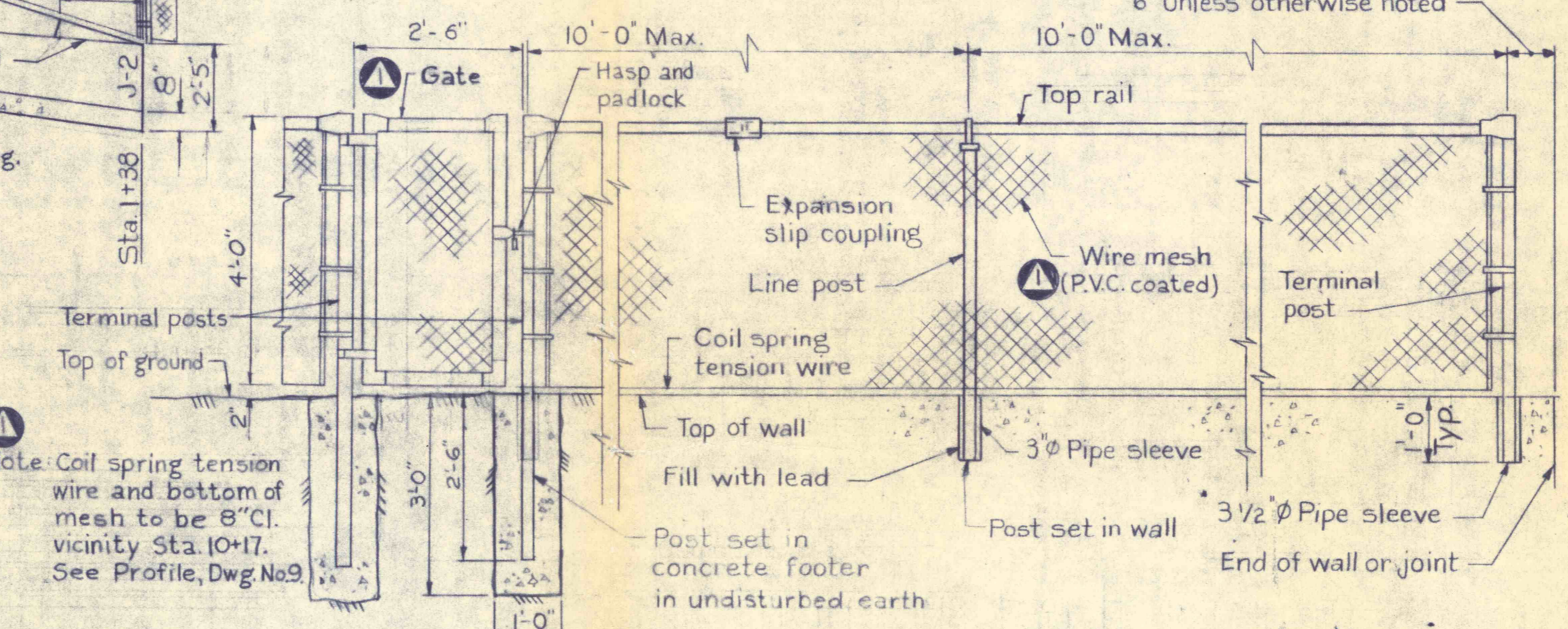
PROFILE



ELEVATION



ELEVATION



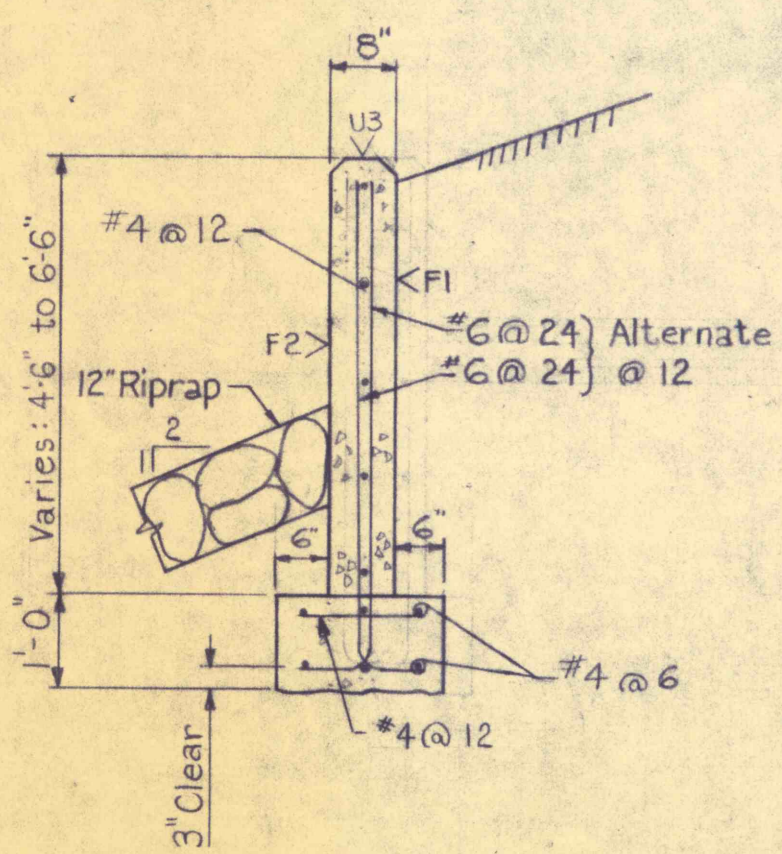
FENCE IN GROUND

FENCE ON WALL

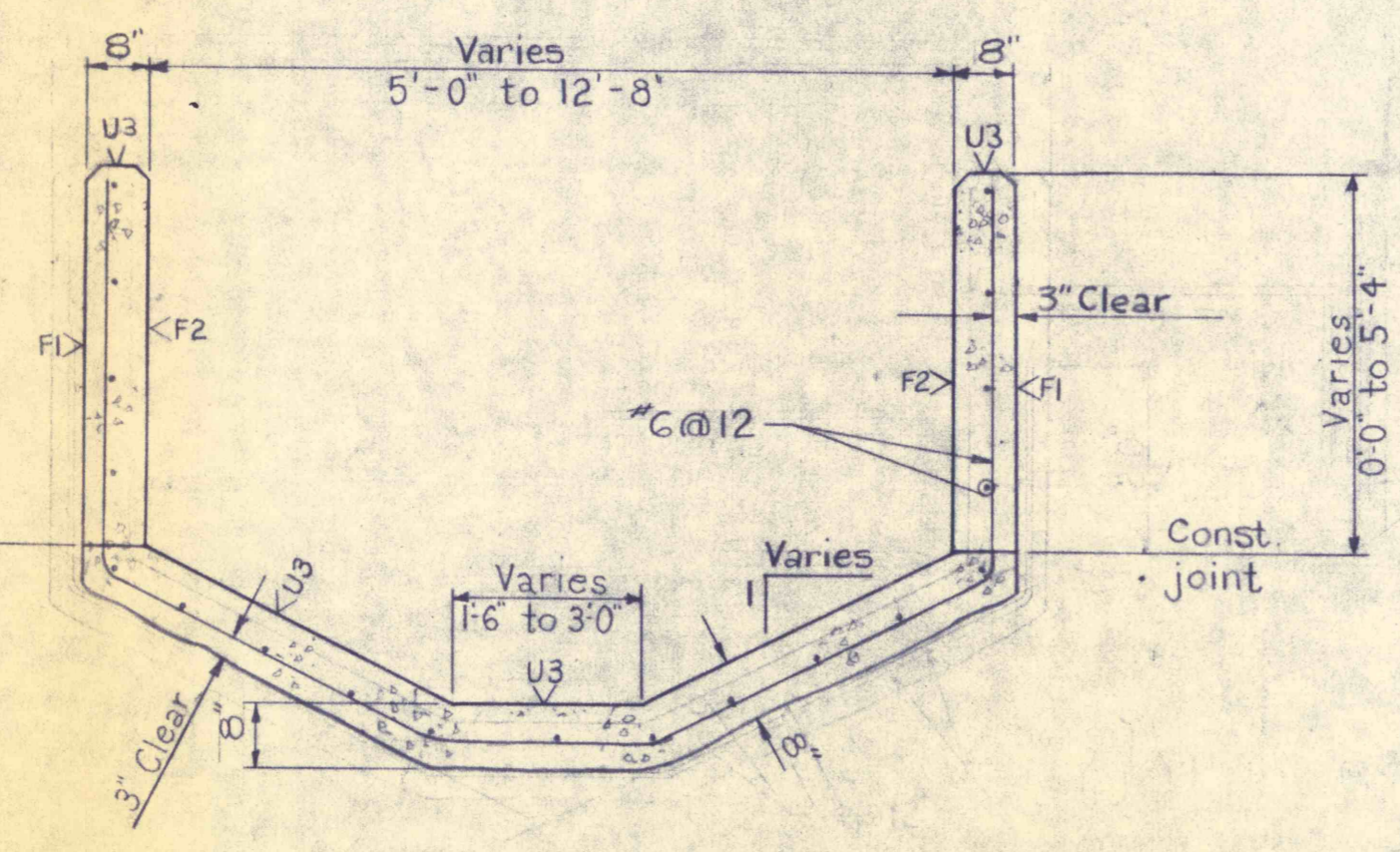
CHAIN LINK FENCE DETAIL  
Scale: 1/2 in. = 1 ft.

CONCRETE INLET STRUCTURE  
Scale: 1 in. = 5 ft.

CONCRETE OUTLET AND TRANSITION STRUCTURE  
Scale: 1 in. = 5 ft.



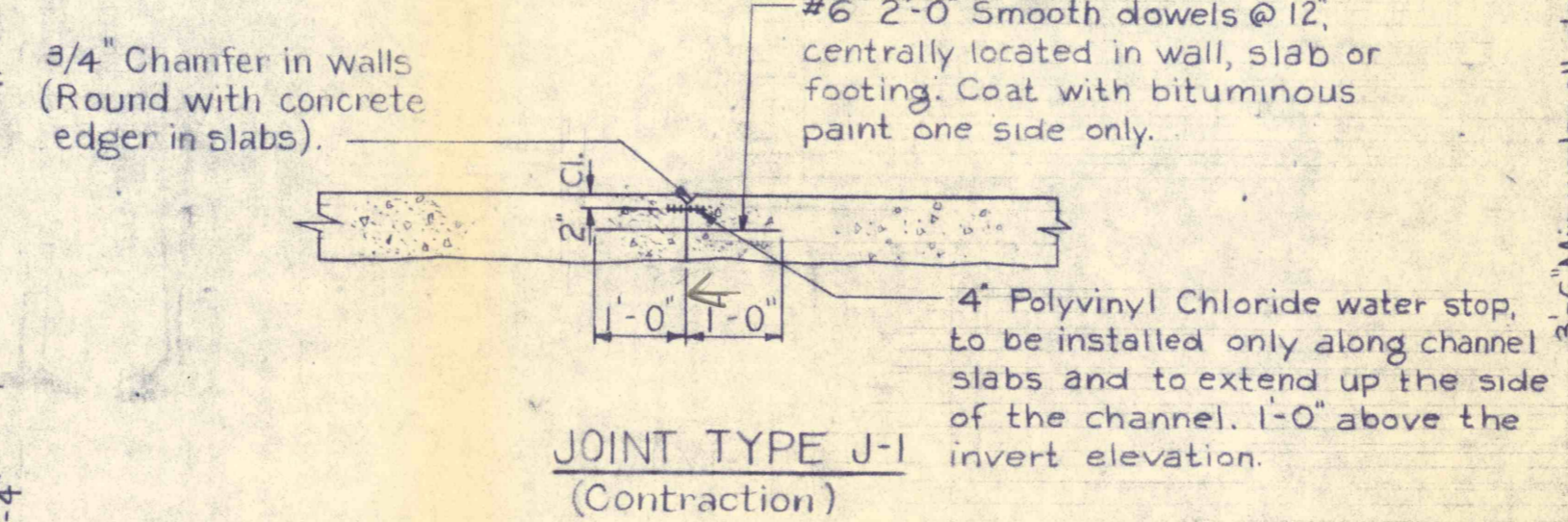
SECTION BA



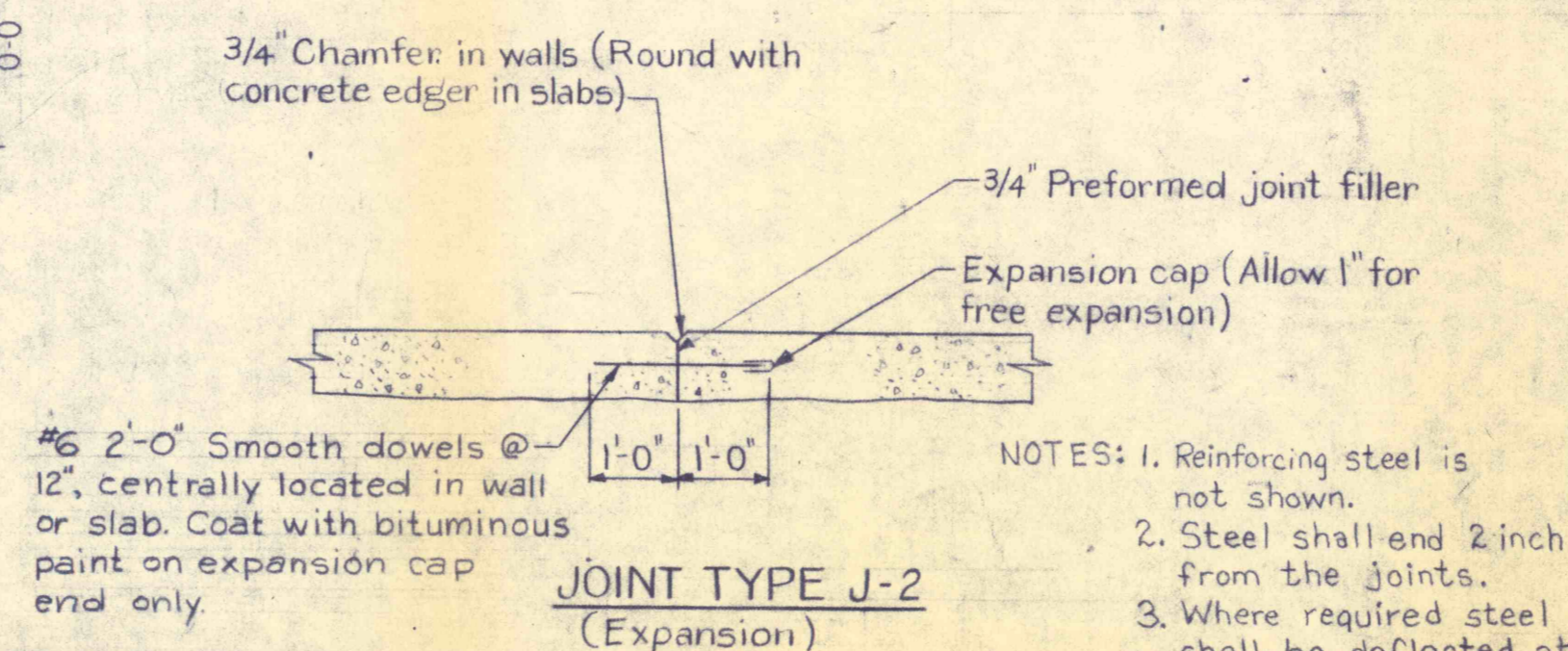
SECTION BB

RIGHT INLET WING WALL  
LEFT WALL OPPOSITE HAND  
Scale: 1/2 in. = 1 ft.

OUTLET TRANSITION  
Scale: 1/2 in. = 1 ft.

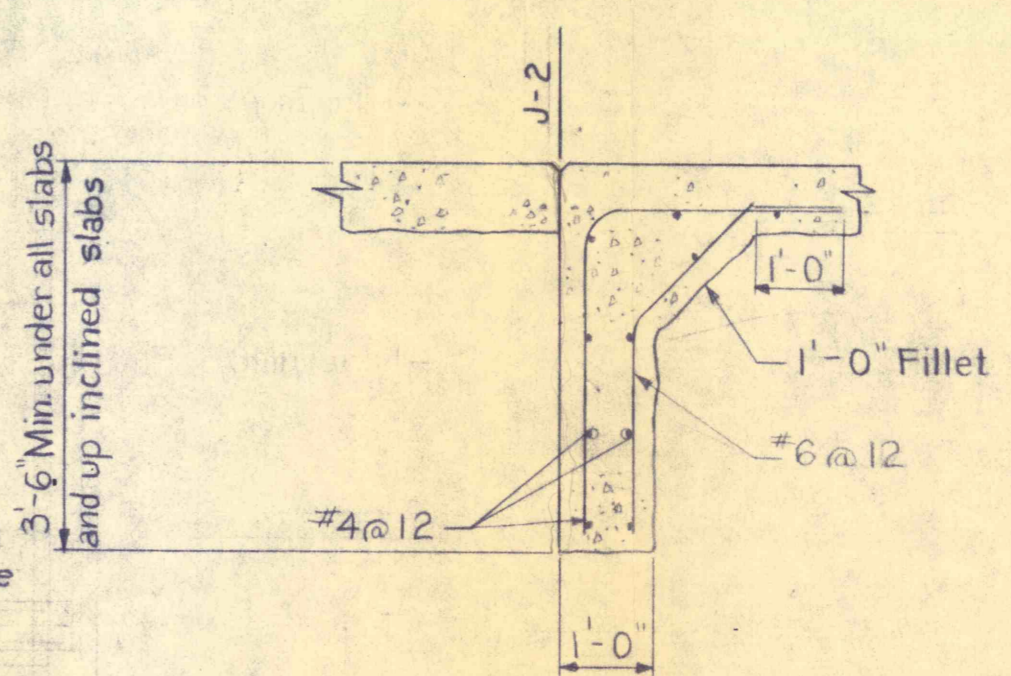


JOINT TYPE J-1  
(Contraction)

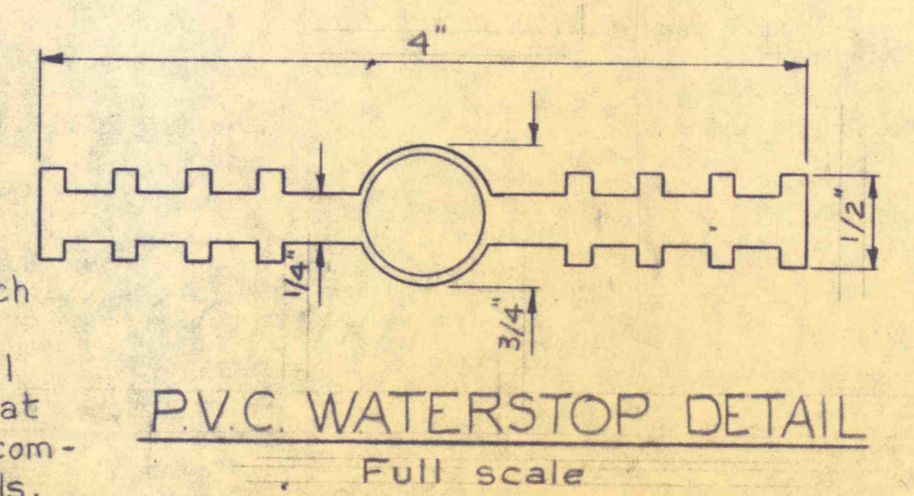


JOINT TYPE J-2  
(Expansion)

JOINT DETAILS  
No Scale



TYPICAL CUTOFF WALL  
No scale



P.V.C. WATERSTOP DETAIL  
Full scale

**CONCRETE NOTES:**

1. Chamfer all exposed edges, horizontal and vertical joints in walls 3/4".
2. All steel reinforcement is 2" clear (edge of steel to surface of concrete) unless otherwise noted.
3. Reinforcement steel shall be paid for under item (10).
4. <No. Denotes concrete finish. See Standard Specifications.
5. J-1 (Contraction joint); J-2 (Expansion joint).
6. All reinforcing bars and welded wire fabric shall be lapped 30 diameters.

**NOTES:**

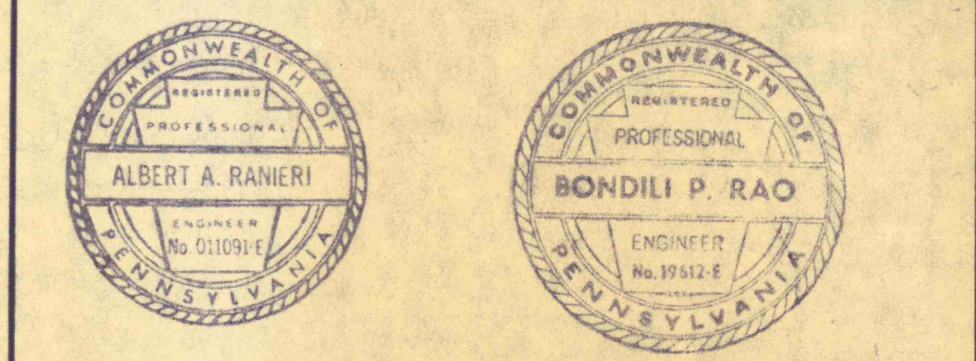
1. For General Notes, see Dwg. No. 3

**REFERENCES:**

1. Plan and Profile \_\_\_\_\_ Dwg. Nos. 3, 4 and 5
2. Cross Sections \_\_\_\_\_ Dwg. Nos. 6 and 7

NO.	DATE	REVISION	APPR.
19 Apr 76		Add chain link fence, gate detail and P.V.C. coated wire mesh.	WZ

SUBMITTED *B. Rao*  
PROJECT CO-ORDINATOR  
APPROVED *Albert A. Ranieri*  
CHIEF - DIVISION OF MINE RECLAMATION  
APPROVED *DePellegris*  
DIRECTOR - BUREAU OF DESIGN



COMMONWEALTH OF PENNSYLVANIA  
DEPARTMENT OF ENVIRONMENTAL RESOURCES  
OFFICE OF RESOURCES MANAGEMENT

CONTRACT NO. SL 113-3-1

MINE DRAINAGE POLLUTION ABATEMENT  
MOUNT CARMEL  
SHAMOKIN CREEK WATERSHED

NORTHUMBERLAND CO., PA.

DETAILS

DRAWN BY <i>Mandy</i>	DATE 22-8-75	DRAWING NO. 8 of 10
CHECKED BY <i>E.C.R.</i>	SCALE As Shown	