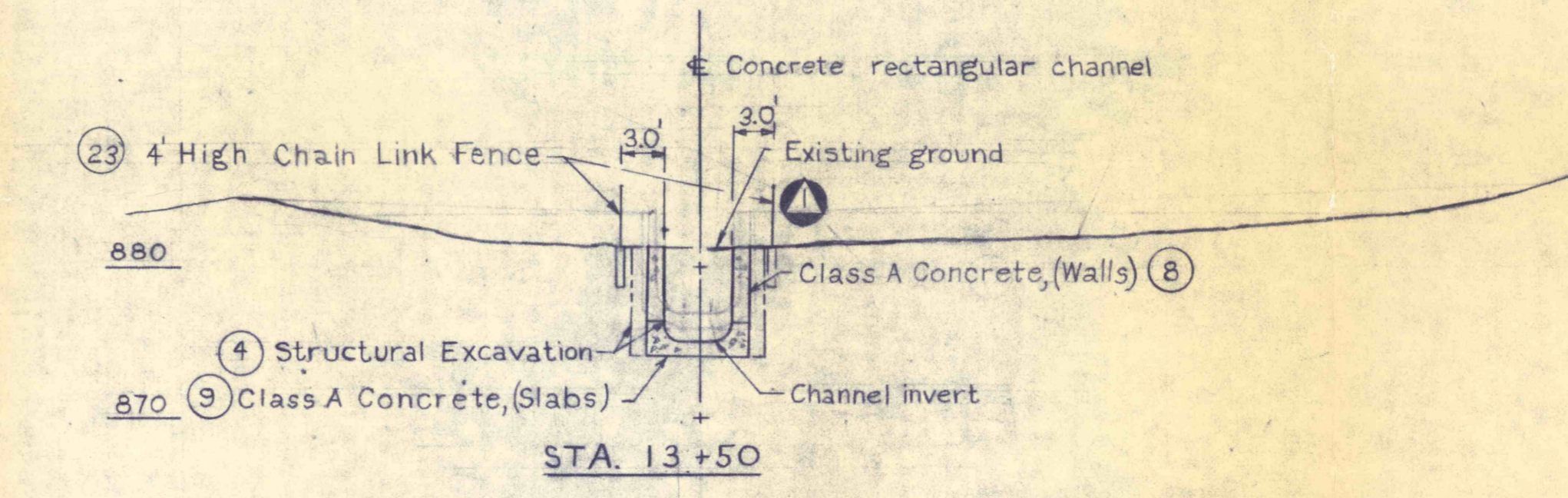
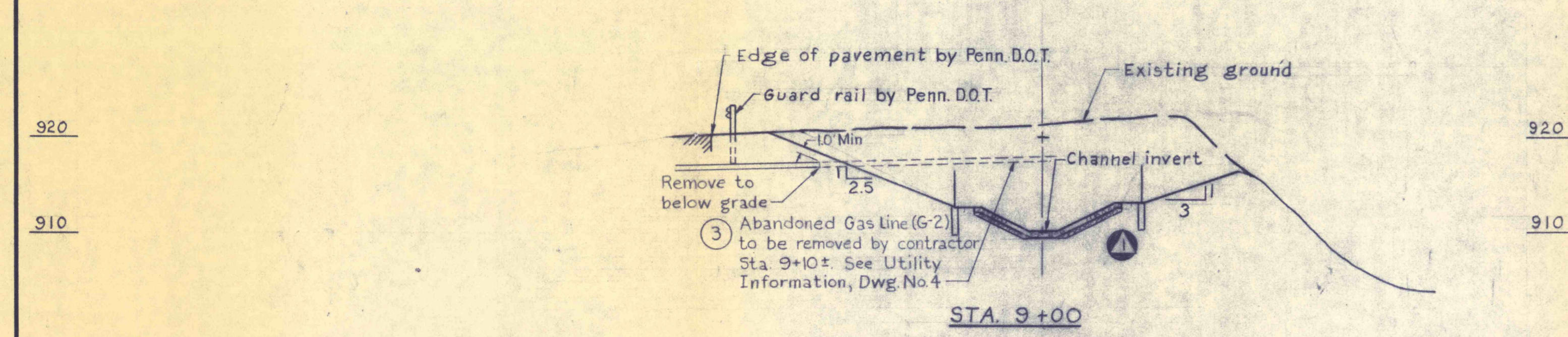
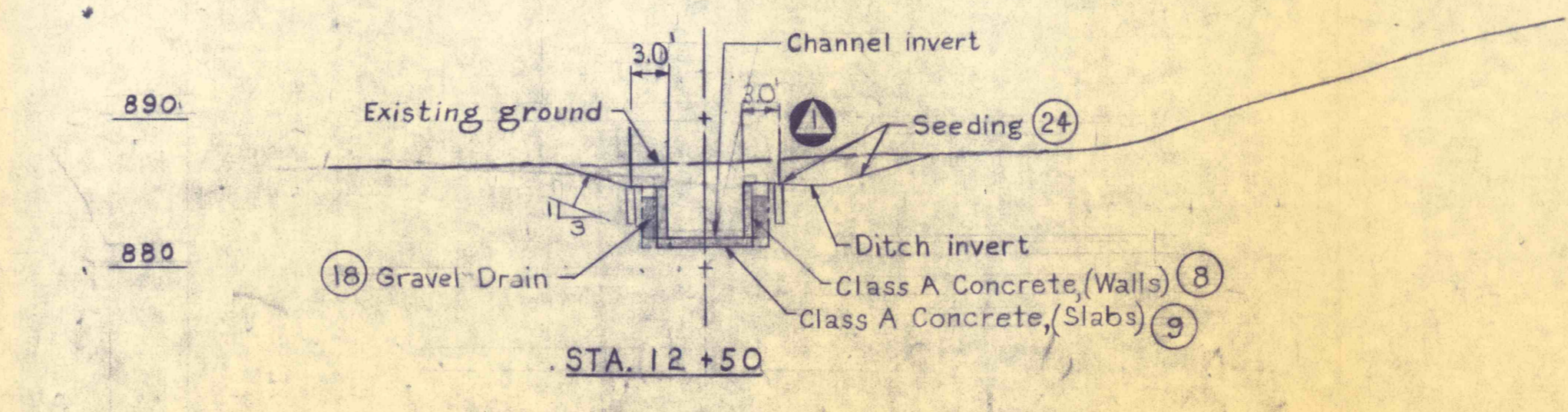
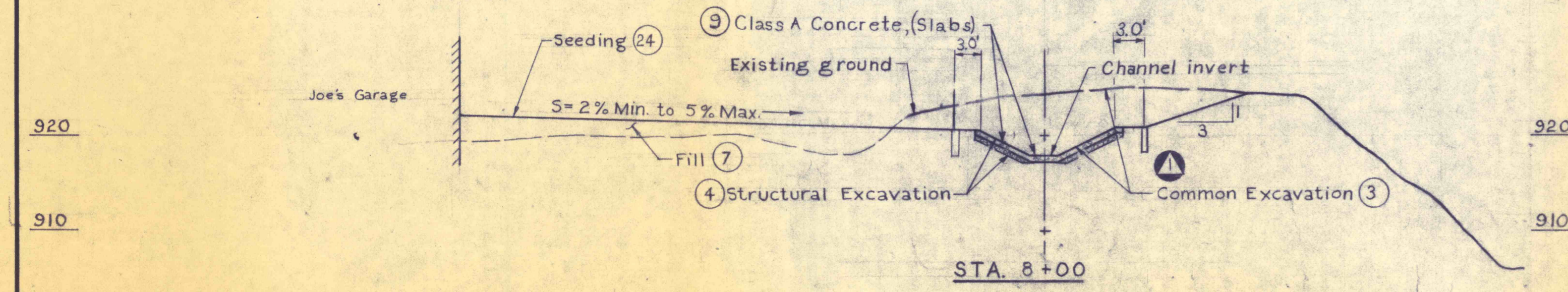
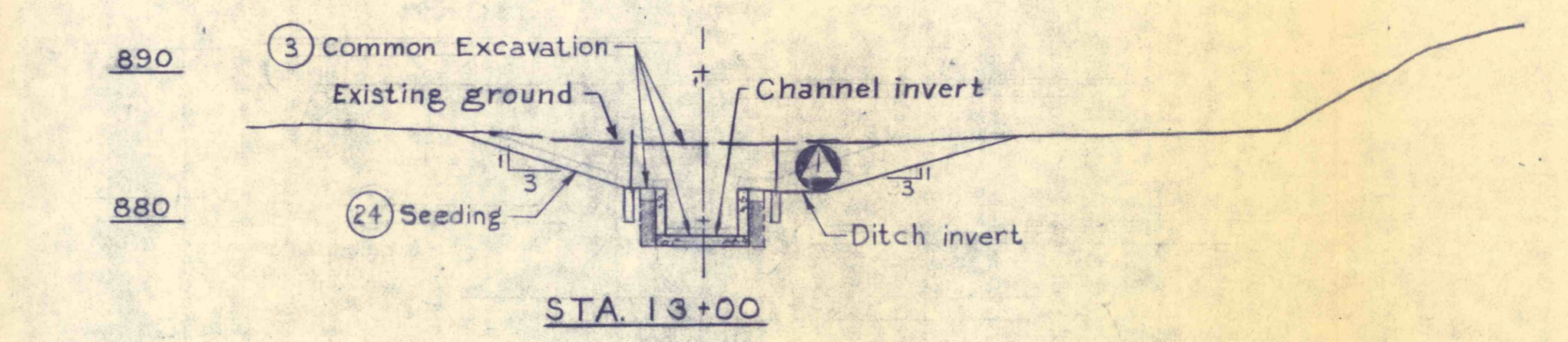
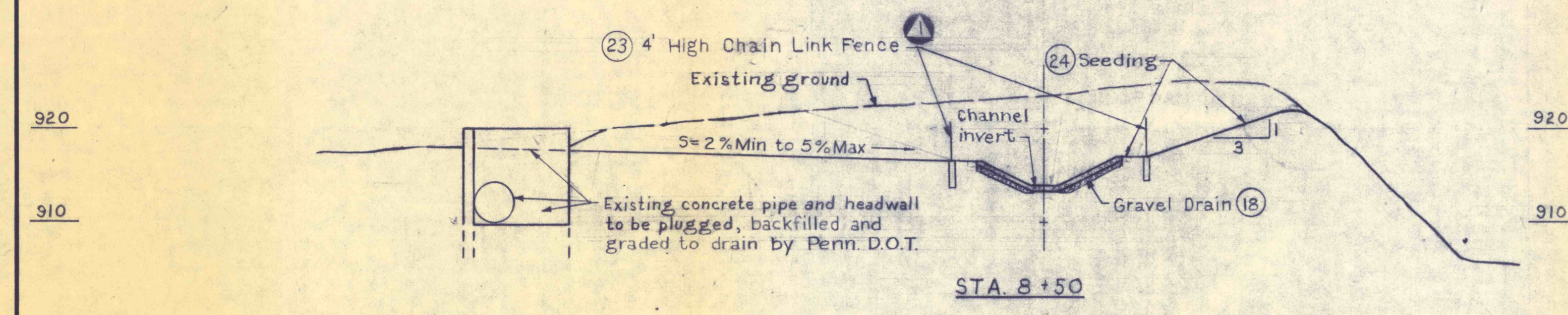


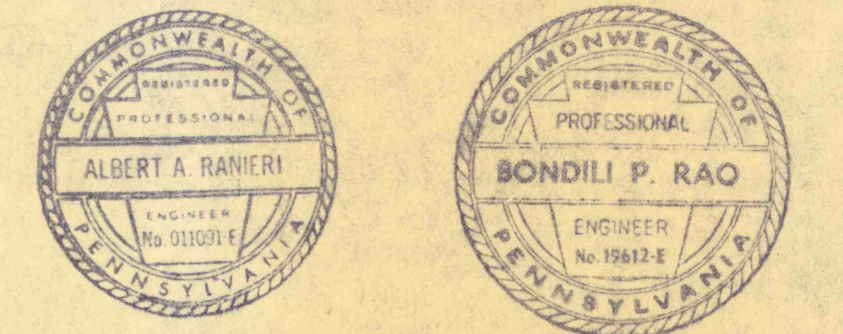
- NOTES:
1. All cross sections are shown looking downstream.
 2. For channel dimensions, see Details, Dwg. Nos. 9 and 10
 3. For General Notes, see Dwg. No. 3
 4. For Concrete Notes, see Dwg. No. 8



- REFERENCES:
1. Plan and Profile _____ Dwg. Nos. 4 and 5
 2. Details _____ Dwg. Nos. 8, 9 and 10



NO.	DATE	REVISION	APPR.
1	19 Apr 76	Add chain link fence	FR
SUBMITTED			
PROJECT CO-ORDINATOR			
APPROVED			
CHIEF - DIVISION OF MINE RECLAMATION			
APPROVED			
DIRECTOR - BUREAU OF DESIGN			



COMMONWEALTH OF PENNSYLVANIA
DEPARTMENT OF ENVIRONMENTAL RESOURCES
OFFICE OF RESOURCES MANAGEMENT

CONTRACT NO. SL 113-3-1

MINE DRAINAGE POLLUTION ABATEMENT
MOUNT CARMEL
SHAMOKIN CREEK WATERSHED

NORTHUMBERLAND CO., PA.

CROSS SECTIONS

DRAWN BY M. M. C.	DATE 20 Aug. 75	DRAWING NO. 7 of 10
CHECKED BY E.C.K.	SCALE 1 in. = 10 ft.	