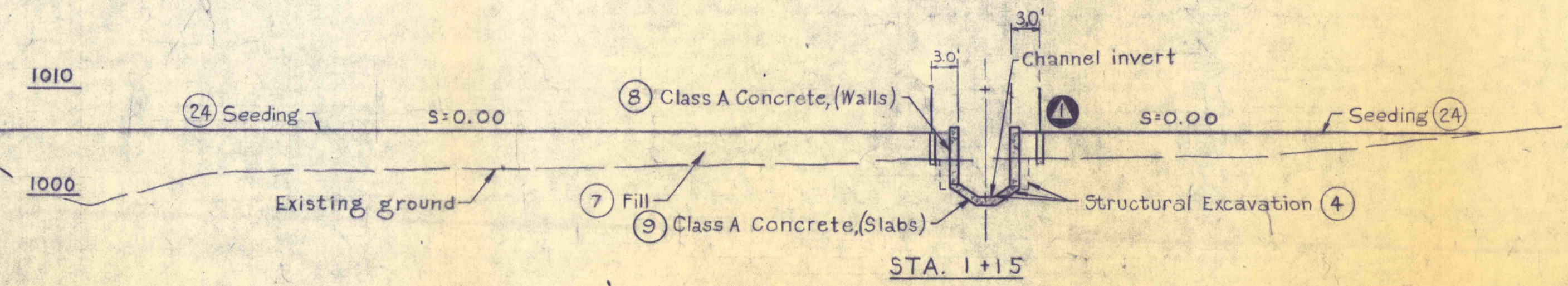
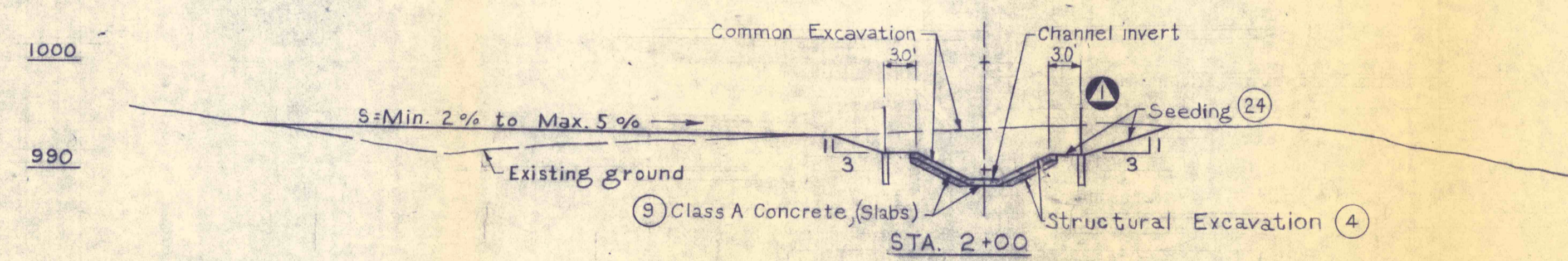
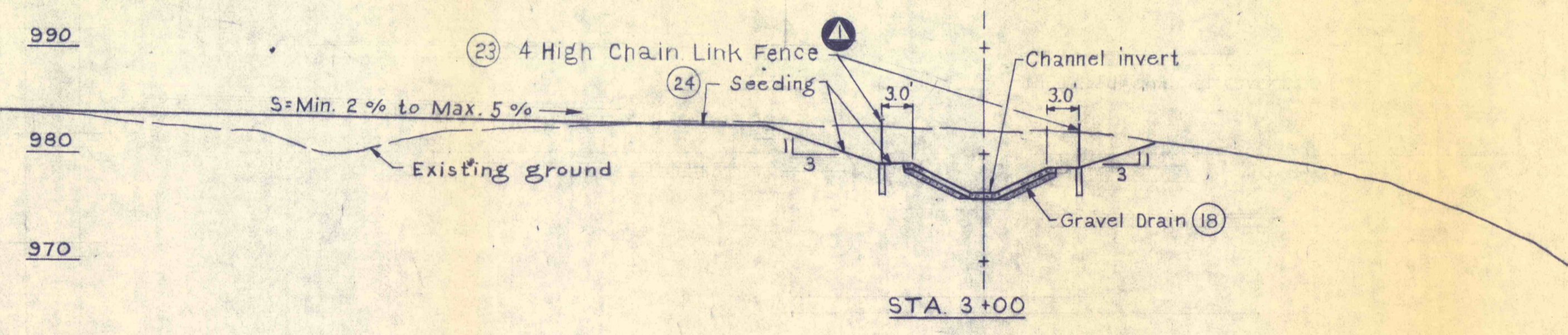


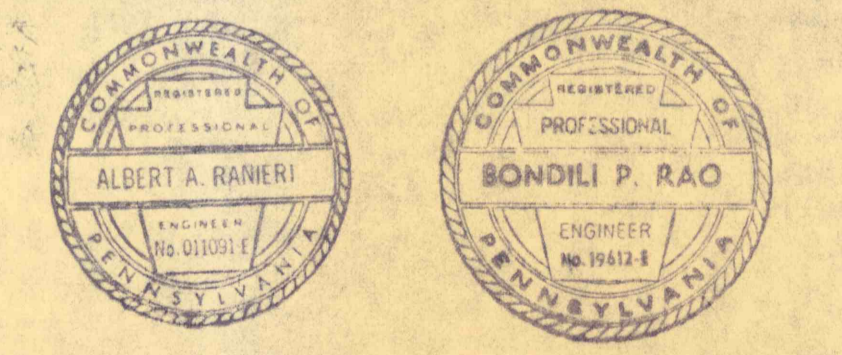
- NOTES:
- All cross sections are shown looking downstream.
  - For channel dimensions, see Details, Dwg. No's. 8 and 9
  - For General Notes, see Dwg. No. 3
  - For Concrete Notes, see Dwg. No. 8

- REFERENCES:
- Plan and Profile \_\_\_\_\_ Dwg. No's 3 and 4.
  - Details \_\_\_\_\_ Dwg. No's 8 and 9.



NO.	DATE	REVISION	APPR.
4-19-76		Add chain link fence	

SUBMITTED  
PROJECT CO-ORDINATOR  
APPROVED  
CHIEF - DIVISION OF MINE RECLAMATION  
APPROVED  
DIRECTOR - BUREAU OF DESIGN



COMMONWEALTH OF PENNSYLVANIA  
DEPARTMENT OF ENVIRONMENTAL RESOURCES  
OFFICE OF RESOURCES MANAGEMENT

CONTRACT NO. SL 113-3-1

MINE DRAINAGE POLLUTION ABATEMENT  
MOUNT CARMEL  
SHAMOKIN CREEK WATERSHED  
NORTHUMBERLAND CO., PA.

CROSS SECTIONS