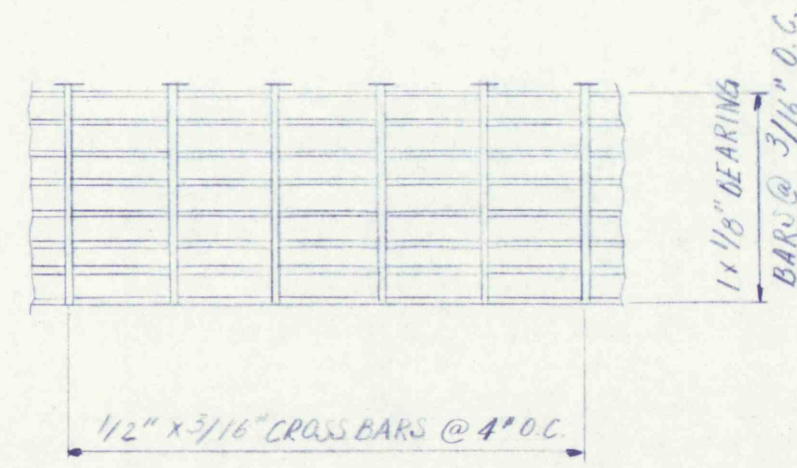
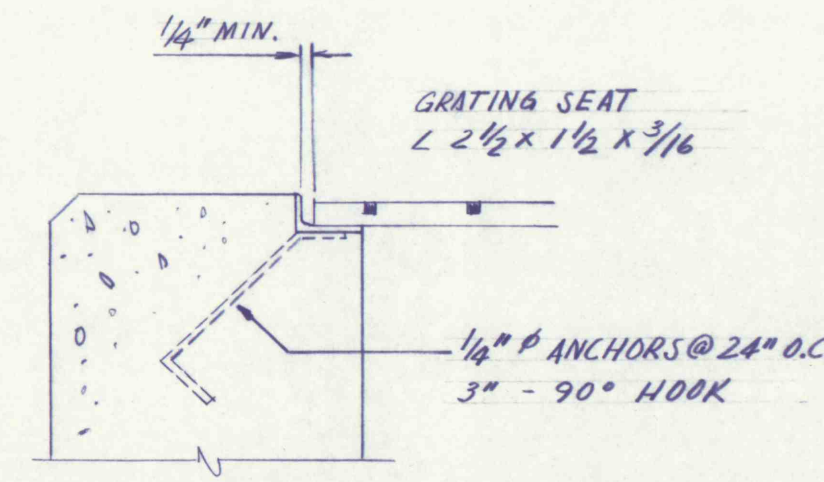


ATTACH SEATE ANGLE TO SUPPORT FRAME WITH MANUFACTURERS RECOMMENDED FASTENERS.



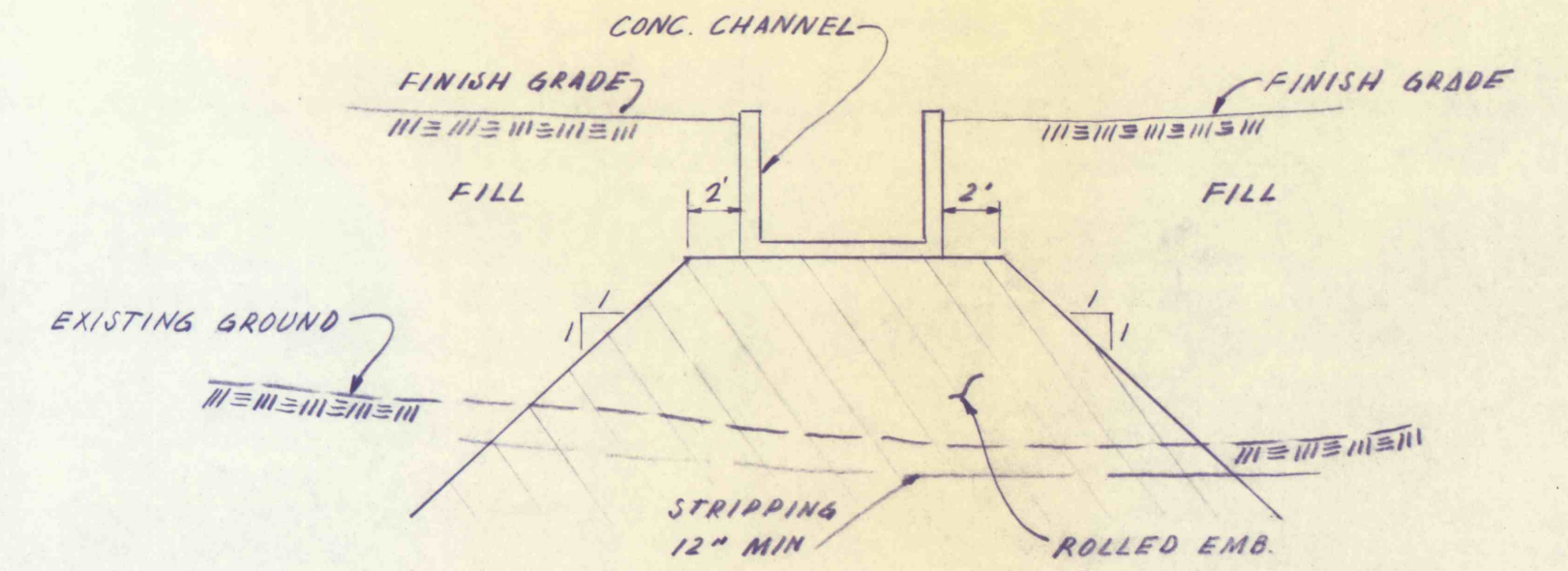
**GRATING DETAIL**

SCALE 1 1/2" = 1 FT.



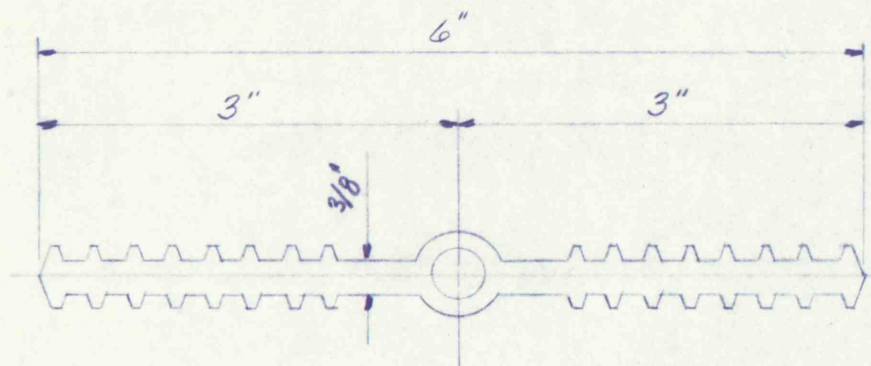
**GRATING ANCHOR**

SCALE 1 1/2" = 1 FT.



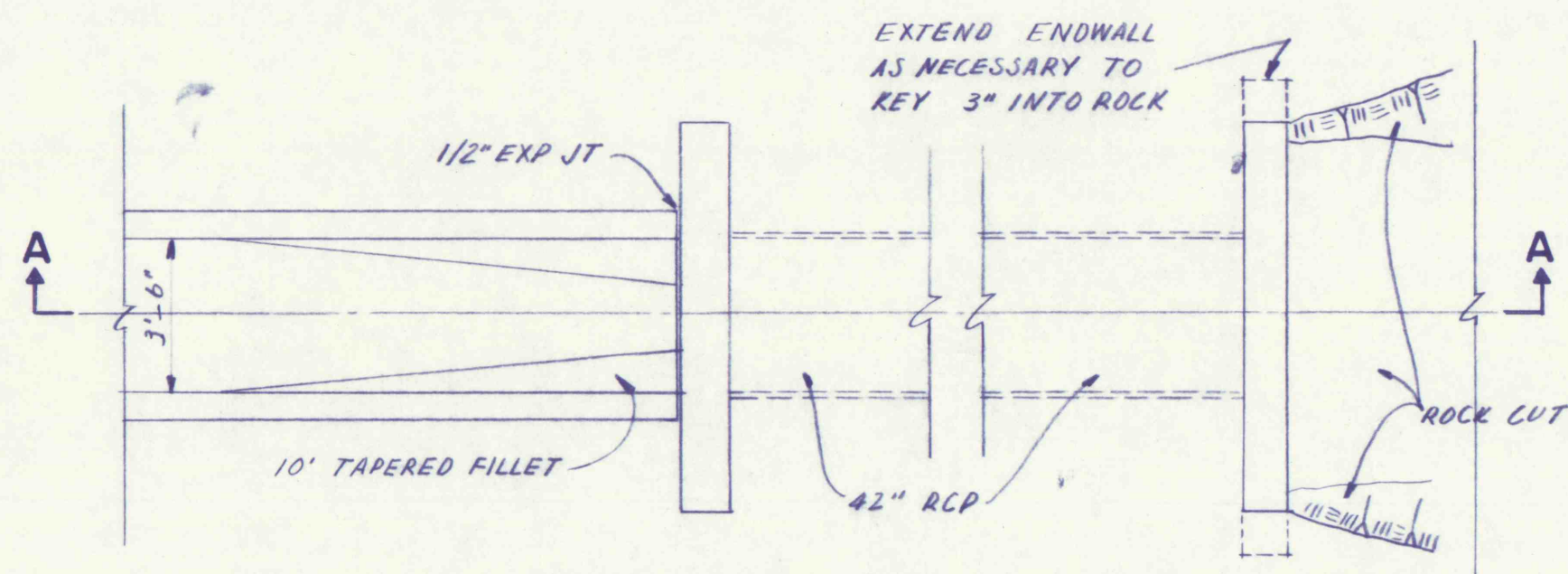
**ROLLED EMBANKMENT DETAIL**

NOT TO SCALE

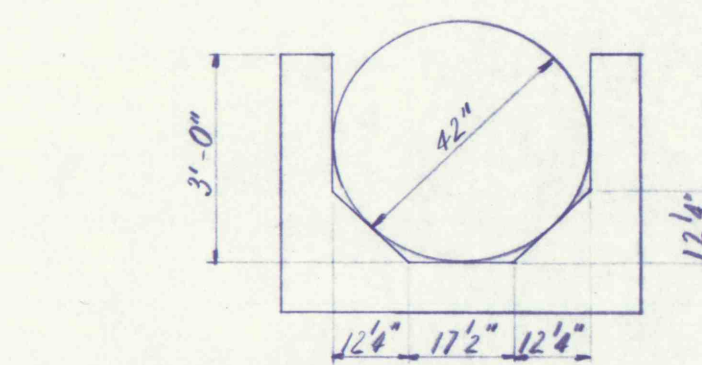


**P.V.C. WATER STOP**

NOT TO SCALE

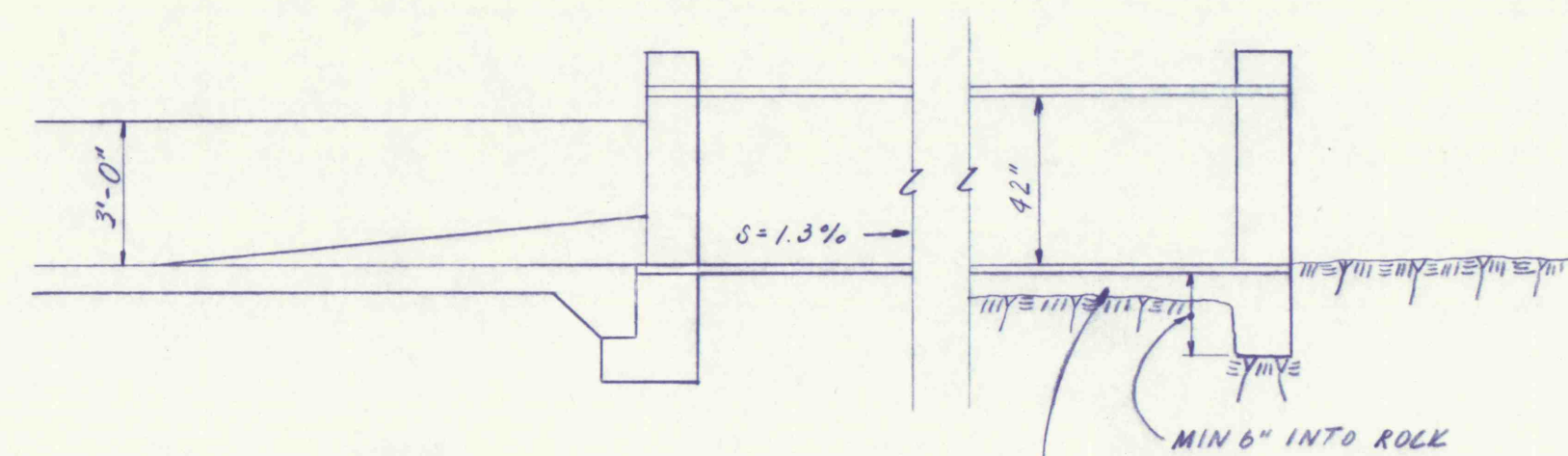


**PLAN**



**FILLET DIMENSIONS AT END WALL**

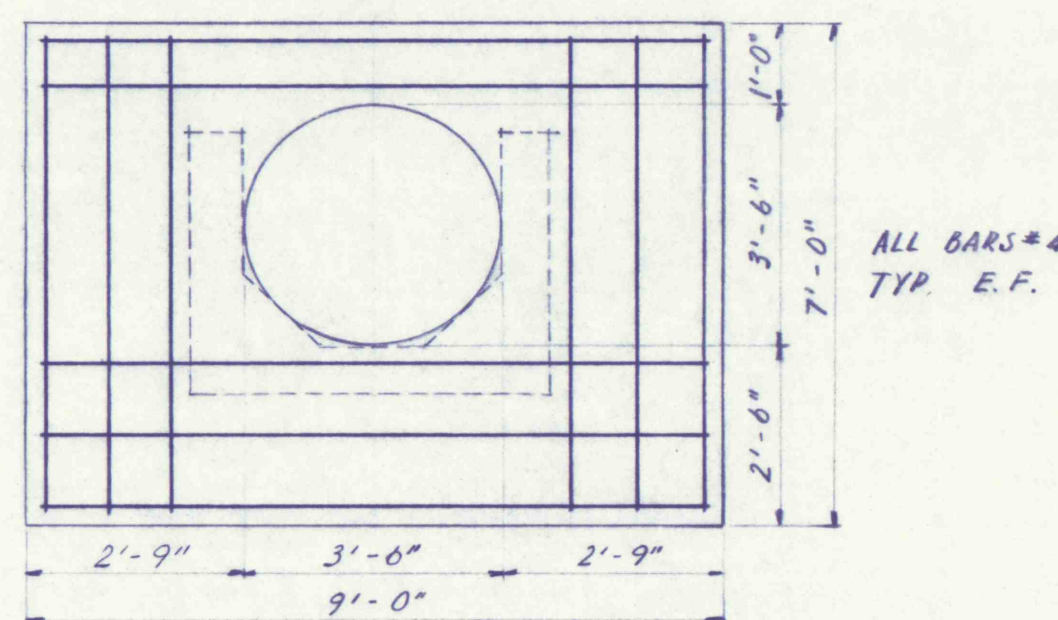
NOT TO SCALE



**SECTION A-A**

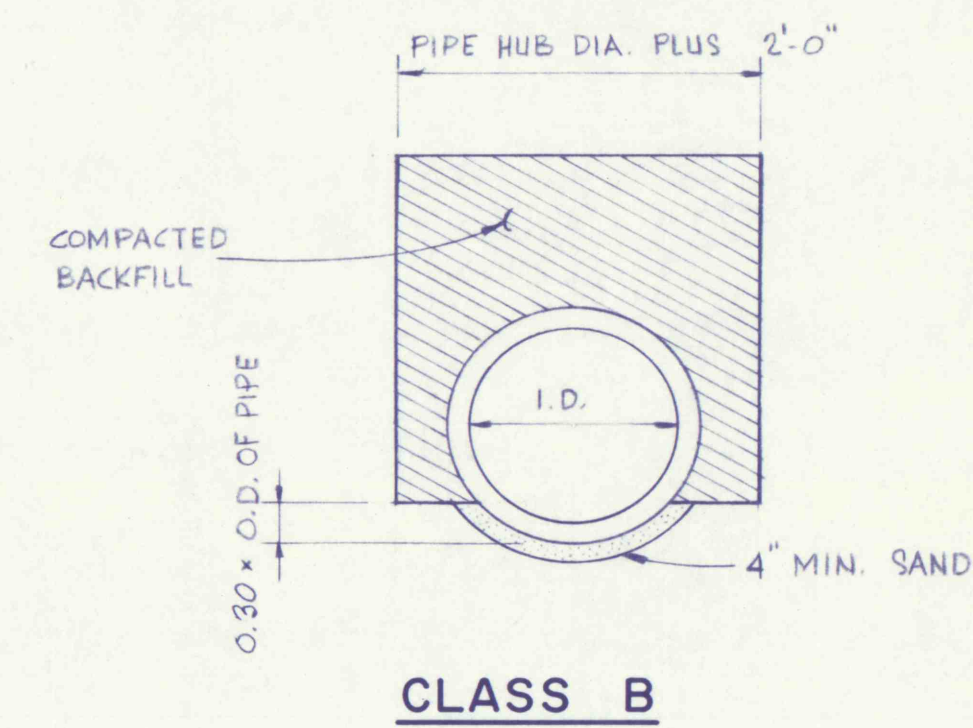
**STATION 42 + 60 HAUL ROAD PIPE**

SCALE 1/4" = 1 FT.

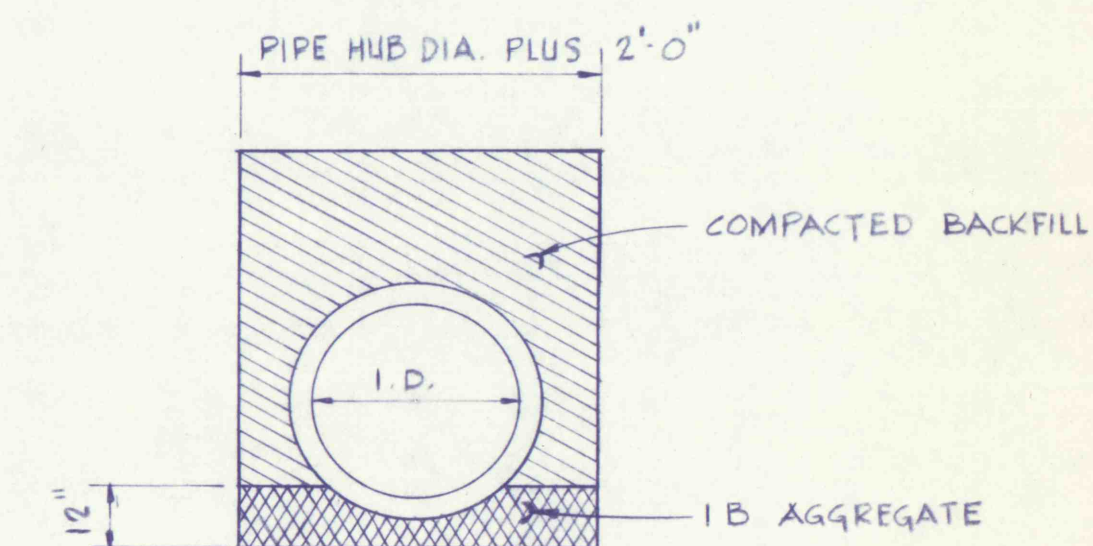


**END WALL REINFORCEMENT**

SCALE 3/8" = 1 FT.



**CLASS B**



**TRENCH THRU ROCK OR HARD SHALE**

**PIPE BEDDING DETAILS**

NOT TO SCALE

NO	DATE	REVISION	APPR.
SUBMITTED			
PROFESSIONAL			
APPROVED			
CHIEF - DIVISION OF MINE RECLAMATION			
APPROVED			
DIRECTOR - BUREAU OF DESIGN			
<b>FINAL</b>			
S.J.M. JUL 28 1977			
COMMONWEALTH OF PENNSYLVANIA DEPARTMENT OF ENVIRONMENTAL RESOURCES OFFICE OF RESOURCES MANAGEMENT			
CONTRACT NO. SL 181-3-101.1			
SUGAR NOTCH RUN AMD ABATEMENT PROJECT WARRIOR CREEK AND SOLOMON CREEK WATERSHEDS			
GEO - Technical Services CONSULTING ENGINEERS & GEOLOGISTS 851 So. 19th St. HARRISBURG, PENNA.			
<b>MISCELLANEOUS DETAILS</b>			
DRAWN BY L. E. B.	DATE MAY 1977	DRAWING NO. <b>30 of 40</b>	
CHECKED BY S. J. M.	SCALE As Shown		