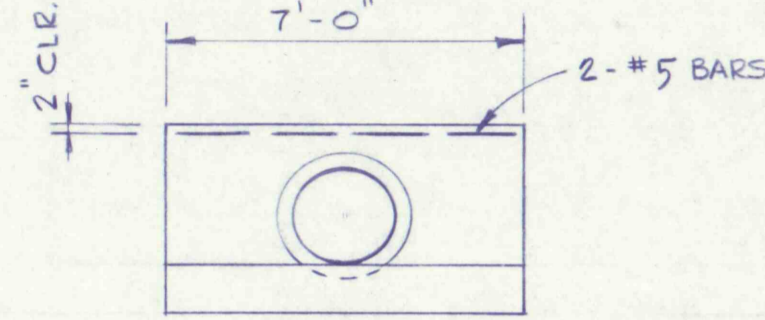
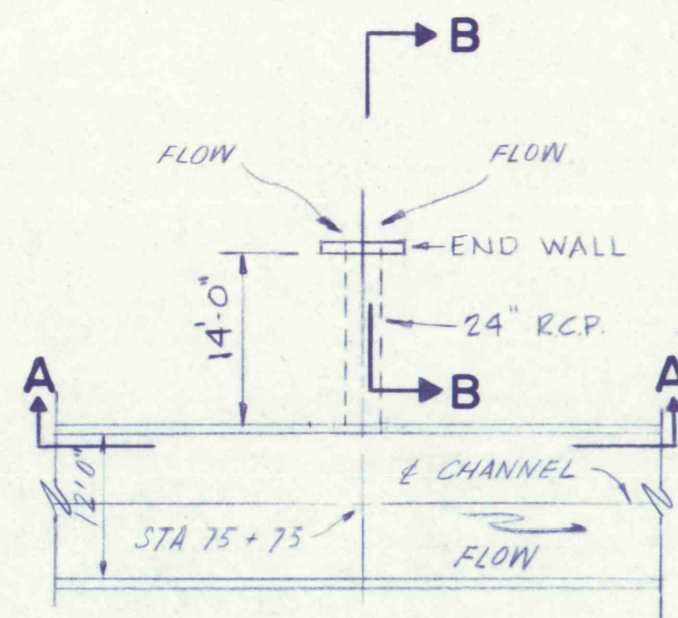


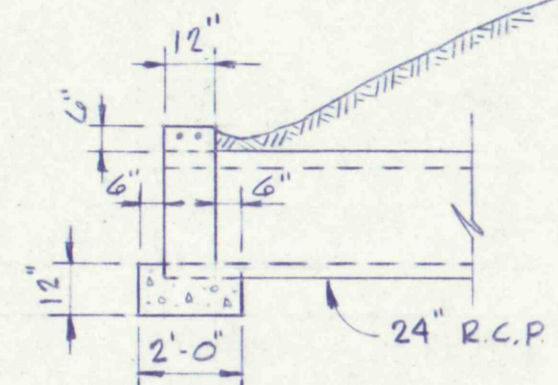
SECTION A-A
SCALE 1/4" = 1'-0"



ENDWALL ELEV.



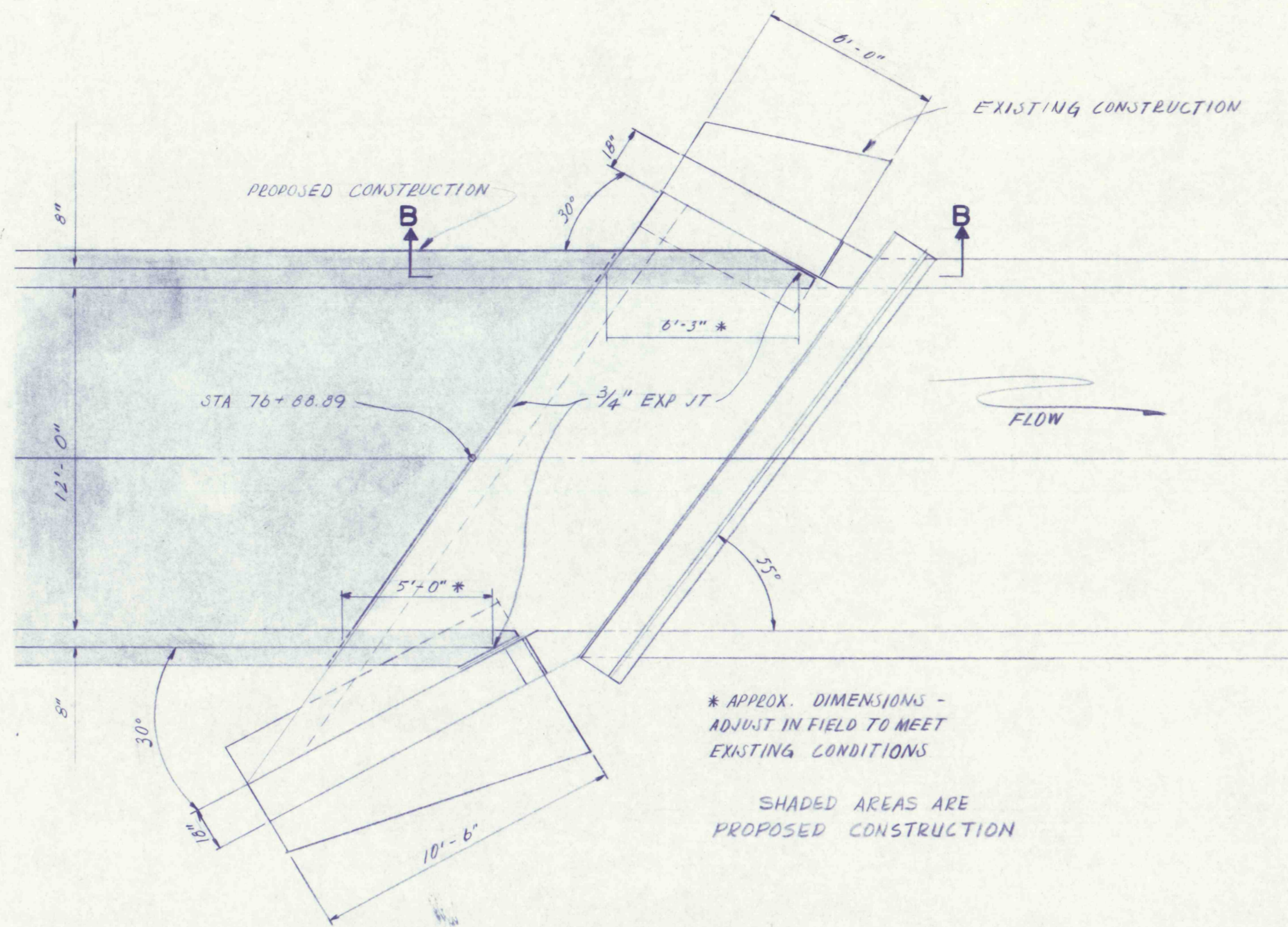
KEY PLAN
SCALE 1/16" = 1'-0"



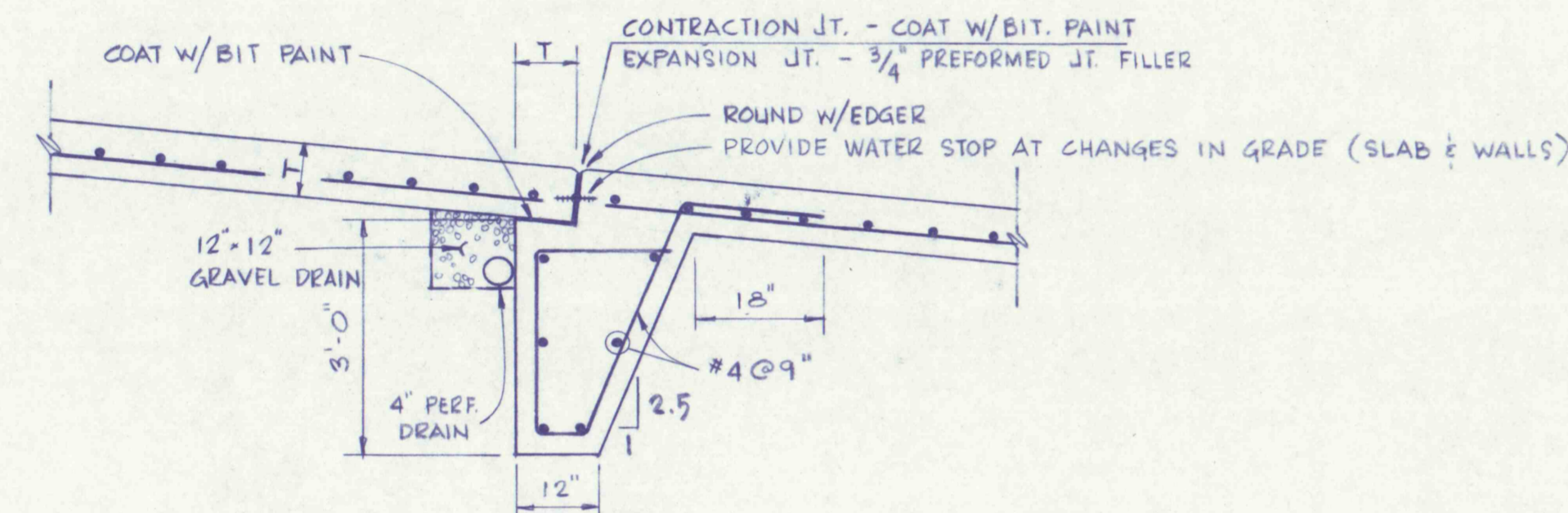
SECTION B-B

ENDWALL DETAIL STA. 75+75

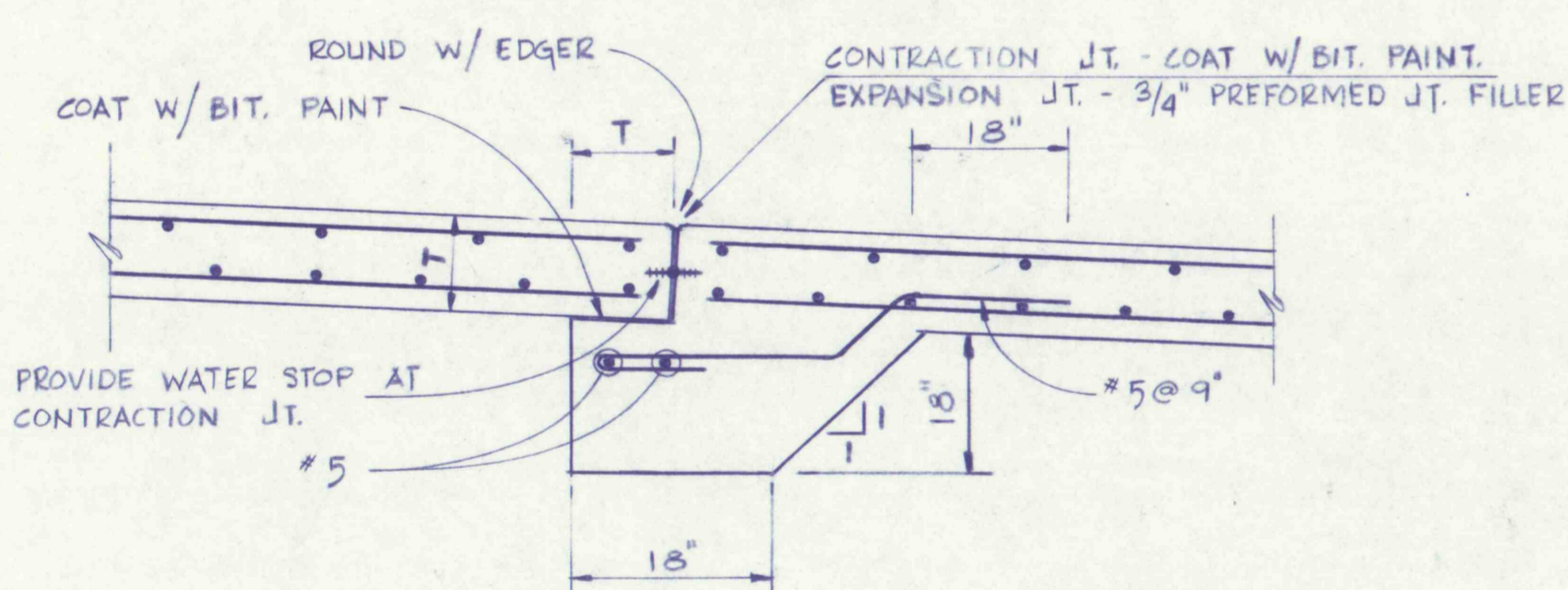
SCALE 1/4" = 1'-0"



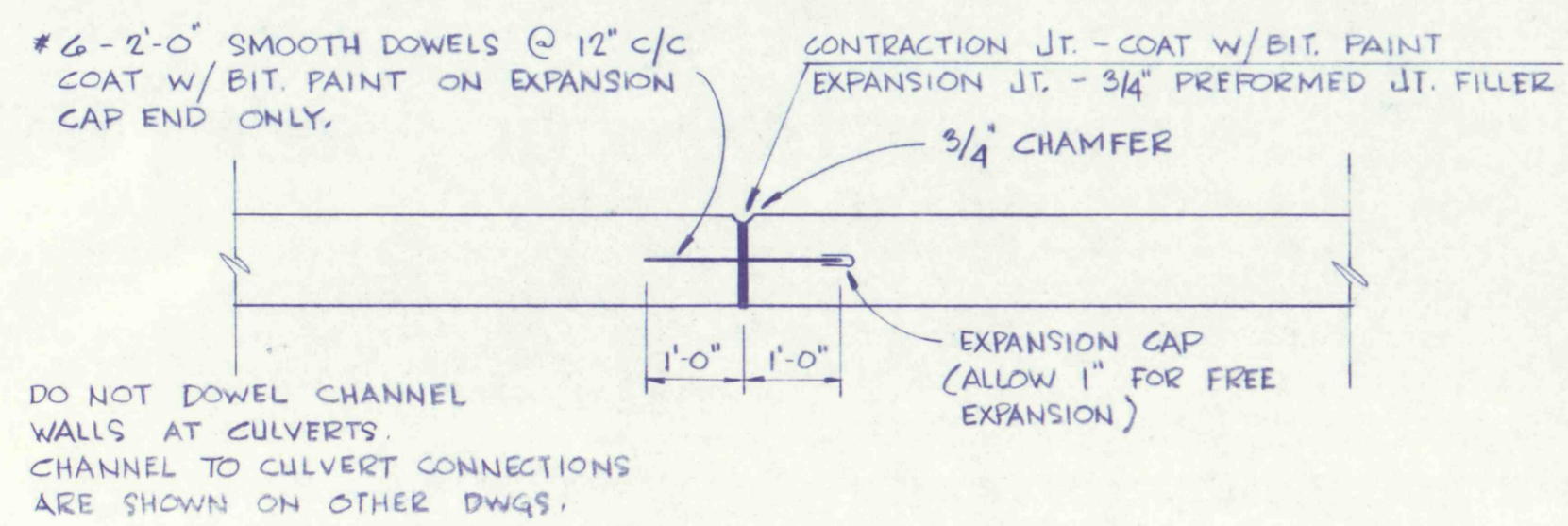
* APPROX. DIMENSIONS - ADJUST IN FIELD TO MEET EXISTING CONDITIONS
SHADED AREAS ARE PROPOSED CONSTRUCTION



STA. 35+40 TO STA. 69+11



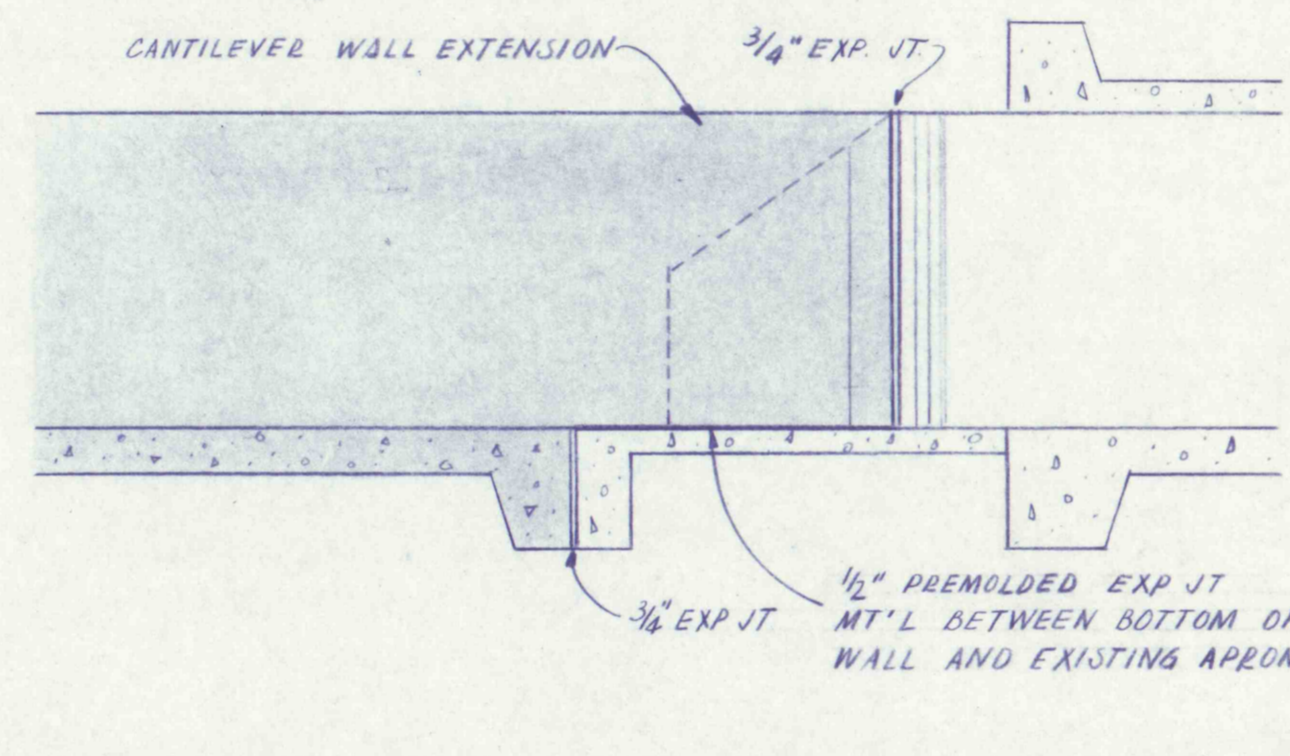
STA. 69+80 TO STA. 76+90



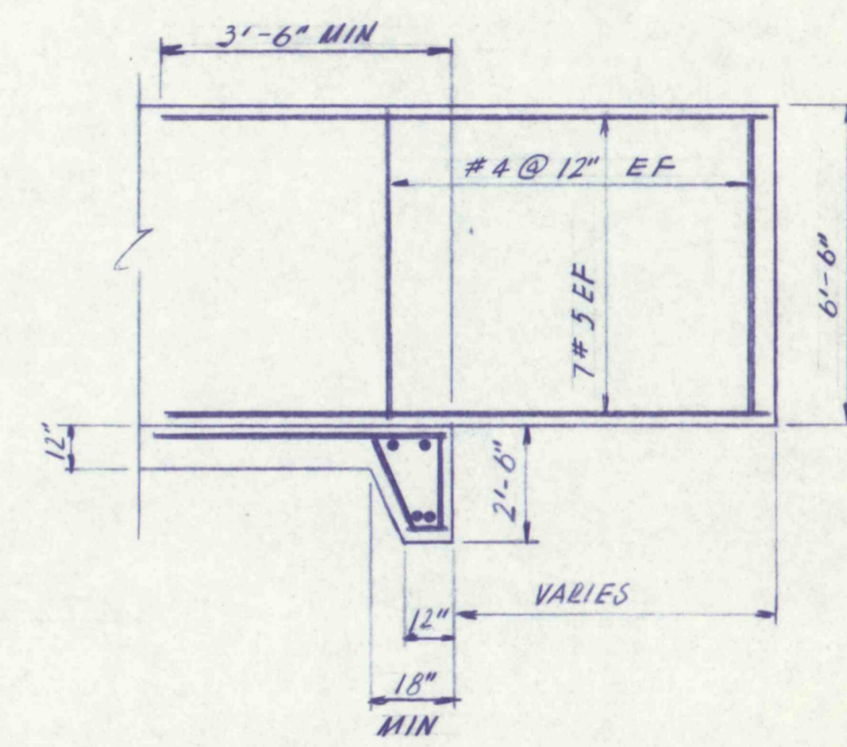
TYPICAL WALL JOINT

CHANNEL JOINT DETAILS

SCALE: 1/2" = 1'-0"



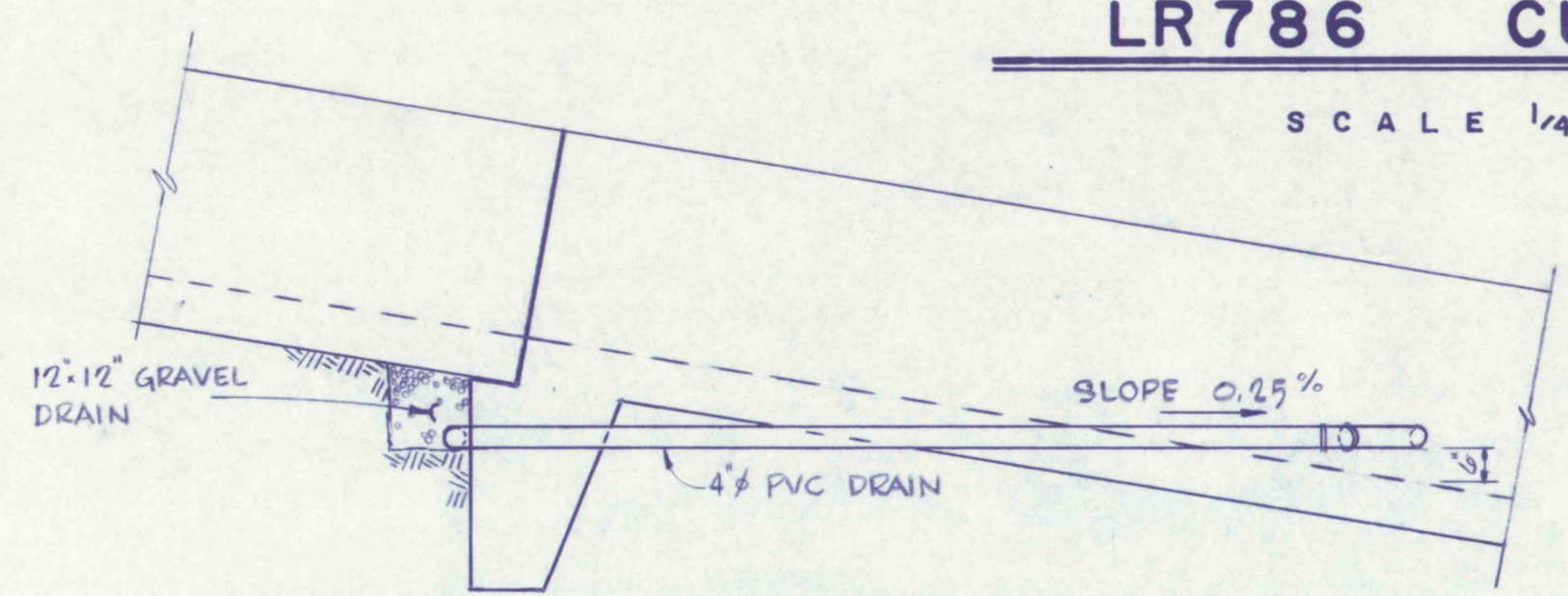
SECTION B-B
SCALE 1/4" = 1'-0"



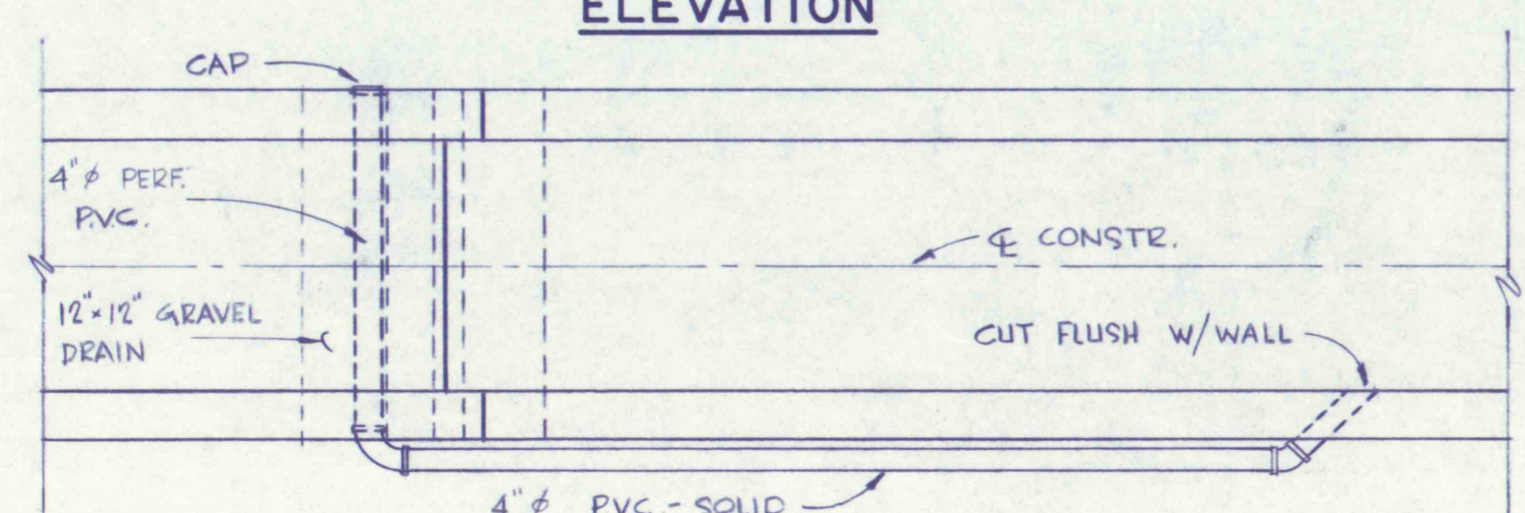
CANTILEVER REBAR DETAIL
SCALE 1/4" = 1'-0"

LR786 CULVERT INLET

SCALE 1/4" = 1'-0"



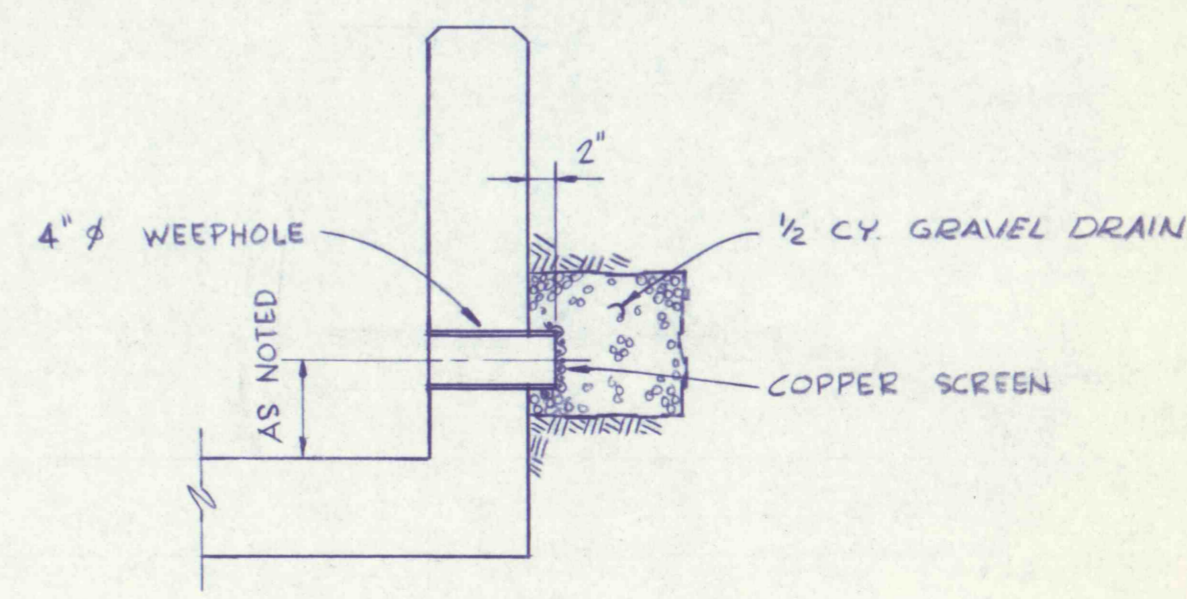
ELEVATION



PLAN

CHANNEL JOINT DRAIN DETAIL

SCALE: 3/8" = 1'-0"



WEEP HOLE DETAIL

SCALE: 3/4" = 1'-0"

NO.	DATE	REVISION	APPR.
SUBMITTED			
PROFESSIONAL			
APPROVED			
CHIEF - DIVISION OF MINE RECLAMATION			
APPROVED			
DIRECTOR - BUREAU OF DESIGN			
FINAL			
S.J.M. JUL 28 1977			
COMMONWEALTH OF PENNSYLVANIA DEPARTMENT OF ENVIRONMENTAL RESOURCES OFFICE OF RESOURCES MANAGEMENT			
CONTRACT NO. SL 181-3-101.1			
SUGAR NOTCH RUN AMD ABATEMENT PROJECT WARRIOR CREEK AND SOLOMON CREEK WATERSHEDS			
GEO - Technical Services CONSULTING ENGINEERS & GEOLOGISTS			
851 So. 19th St.		HARRISBURG, PENNA.	
MISCELLANEOUS DETAILS			
DRAWN BY L. E. B.	DATE MAY 1977	DRAWING NO. 29 of 40	
CHECKED BY S. J. M.	SCALE AS NOTED		