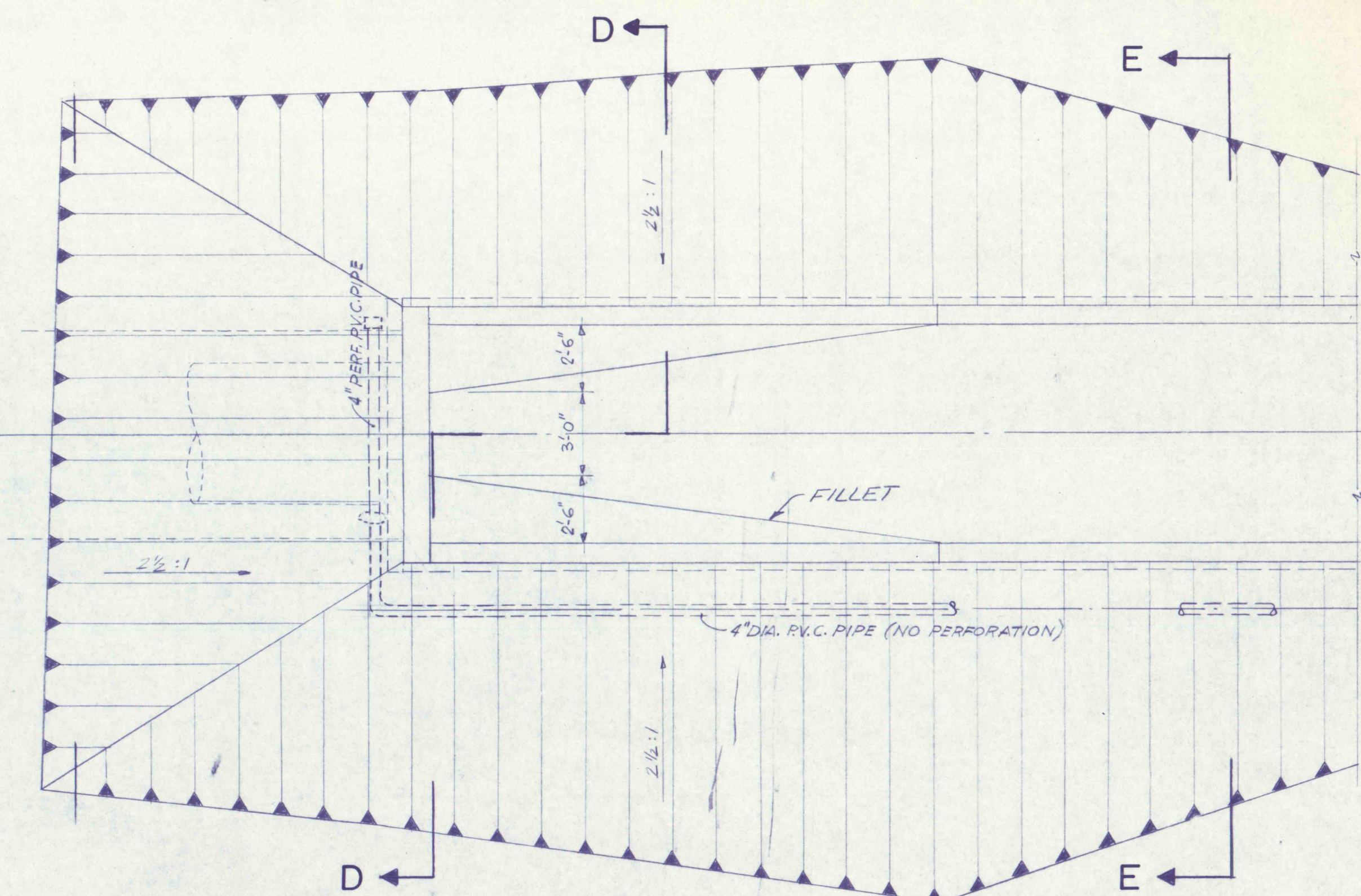


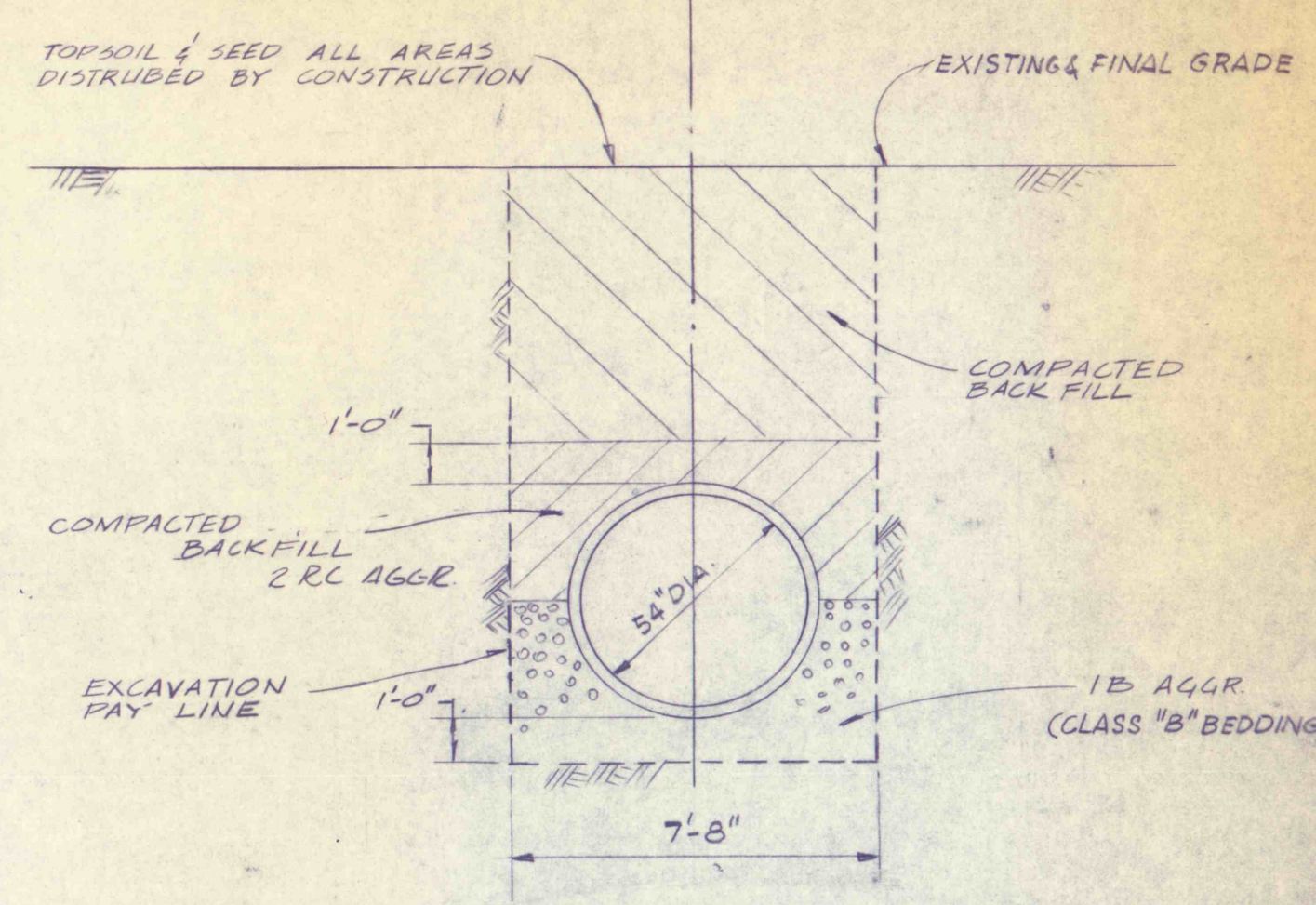
**SECTION B-B** **1/2 SECTION F-F** **1/2 SECTION G-G**  
 SCALE: 1/4" = 1'-0"



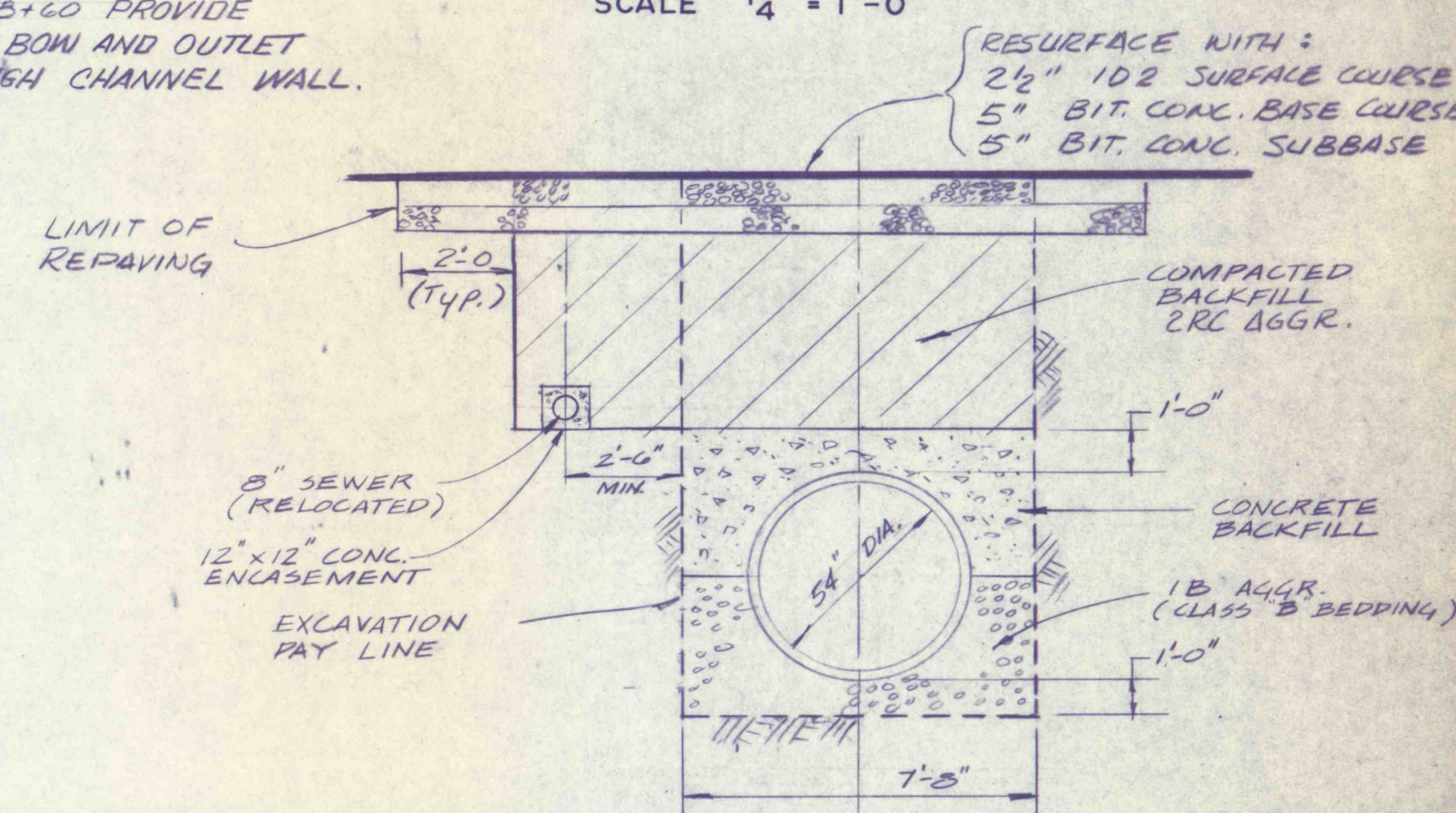
**PLAN**  
 SCALE: 1/4" = 1'-0"



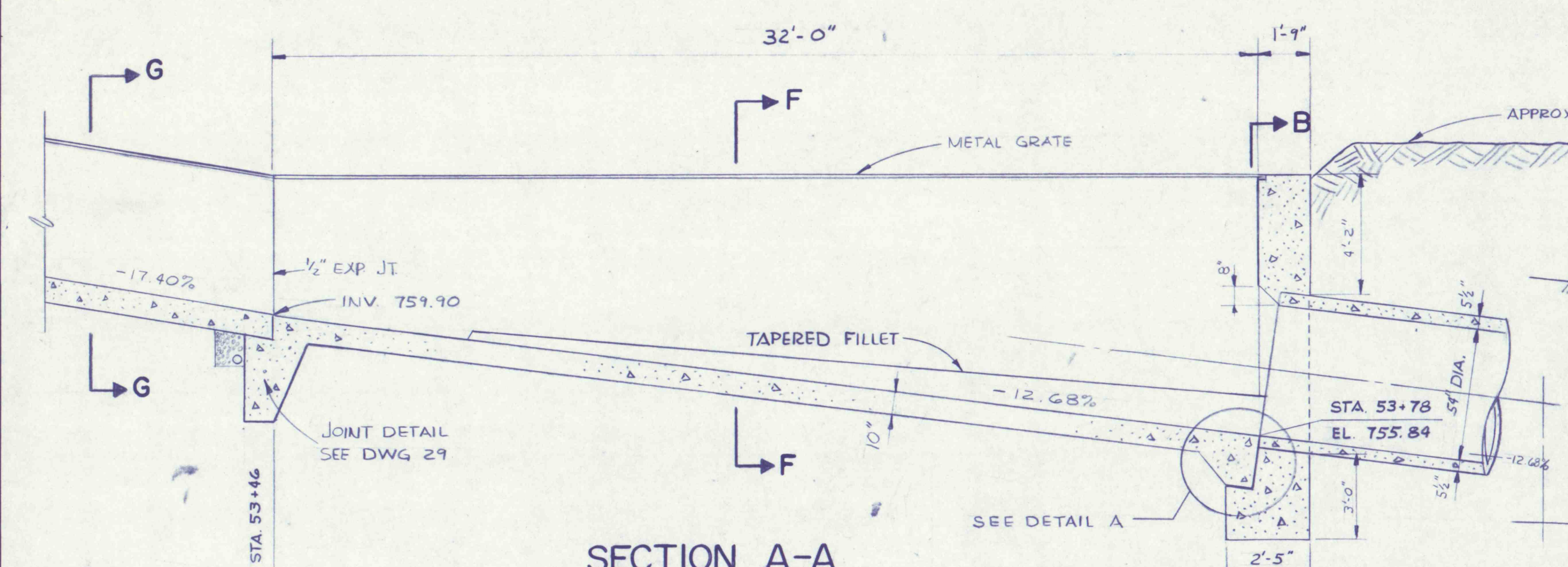
**PLAN**  
 SCALE: 1/4" = 1'-0"



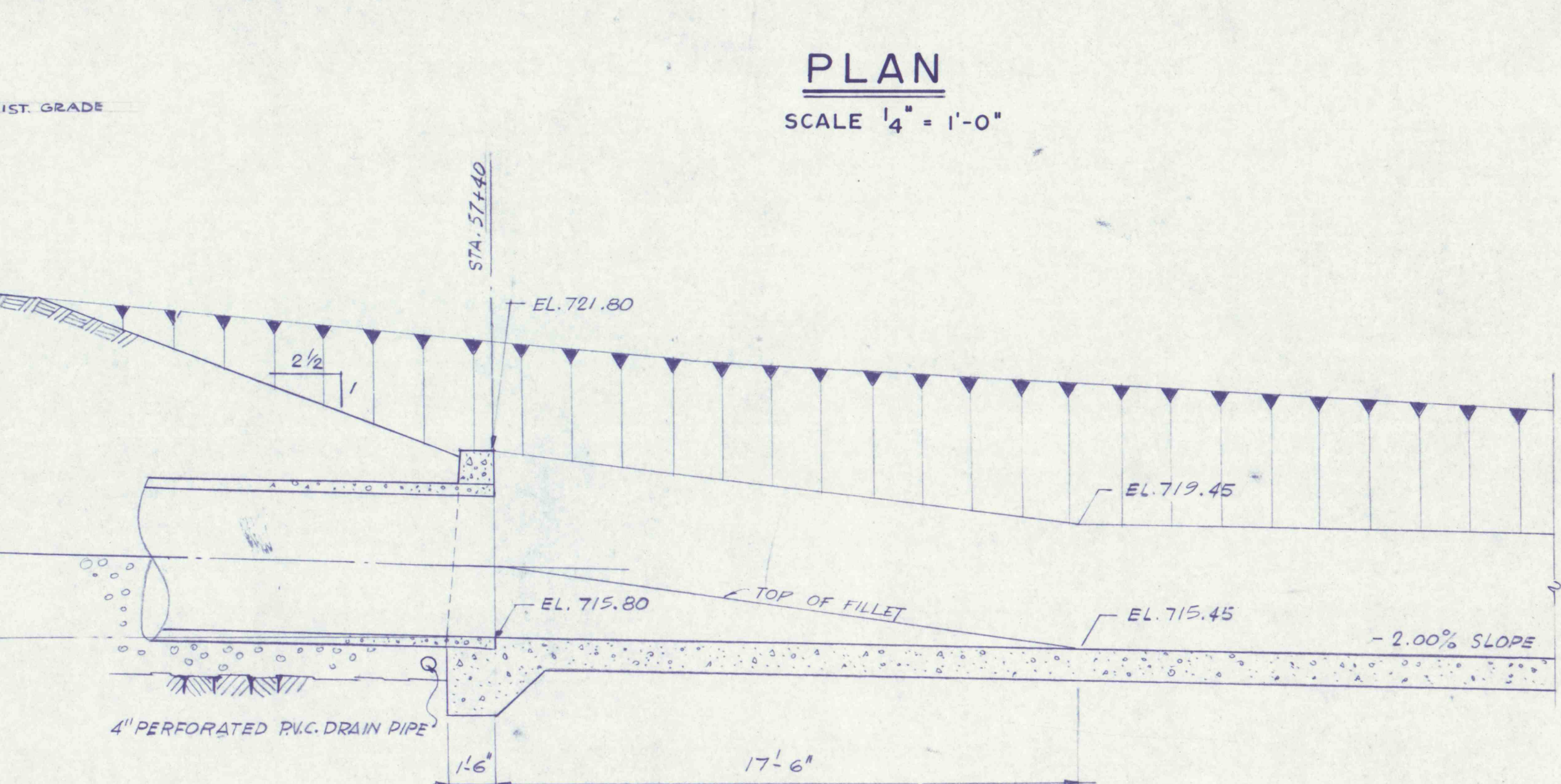
**TYPICAL SECTION INLET TO MAIN STREET**  
 SCALE: 1/4" = 1'-0"



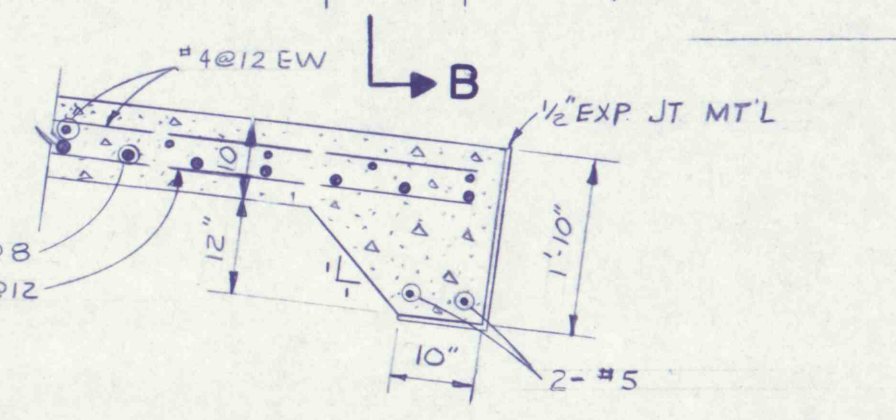
**TYPICAL SECTION UNDER MAIN STREET**  
 SCALE: 1/4" = 1'-0"



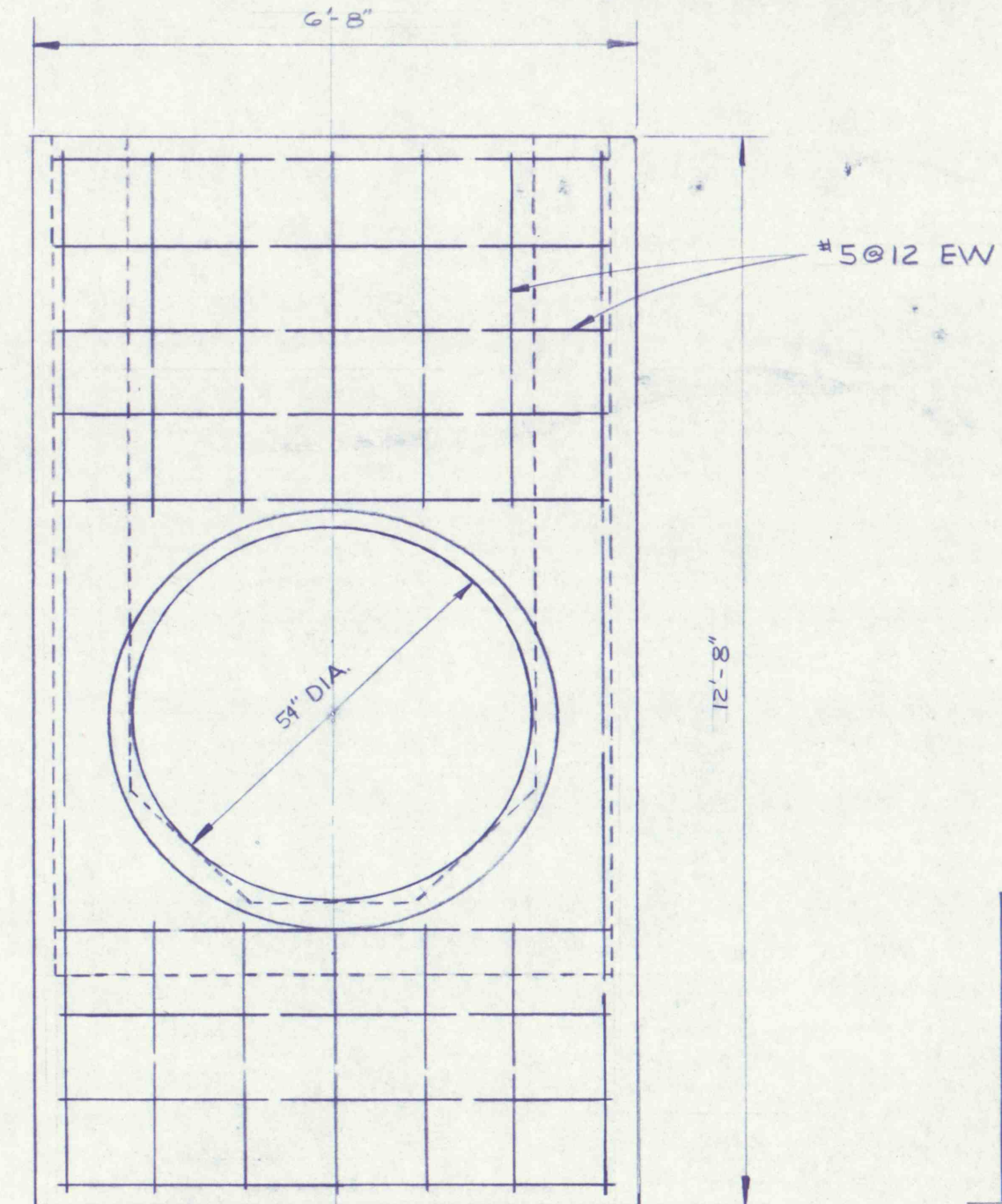
**SECTION A-A**  
 SCALE: 1/4" = 1'-0"



**SECTION C-C**  
 SCALE: 1/4" = 1'-0"

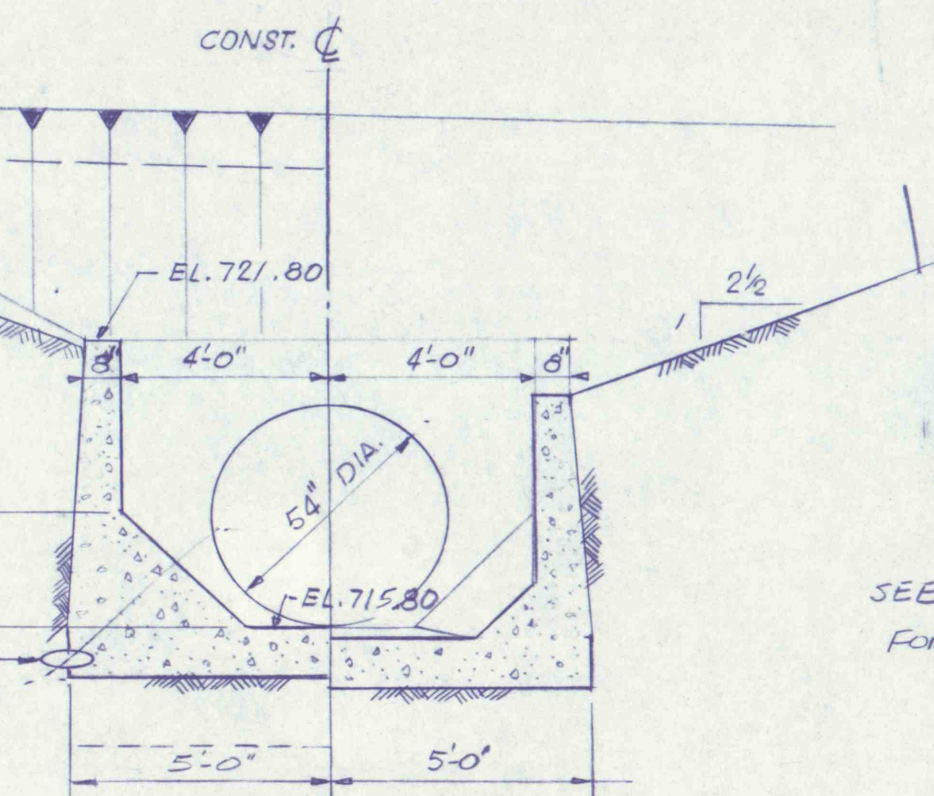
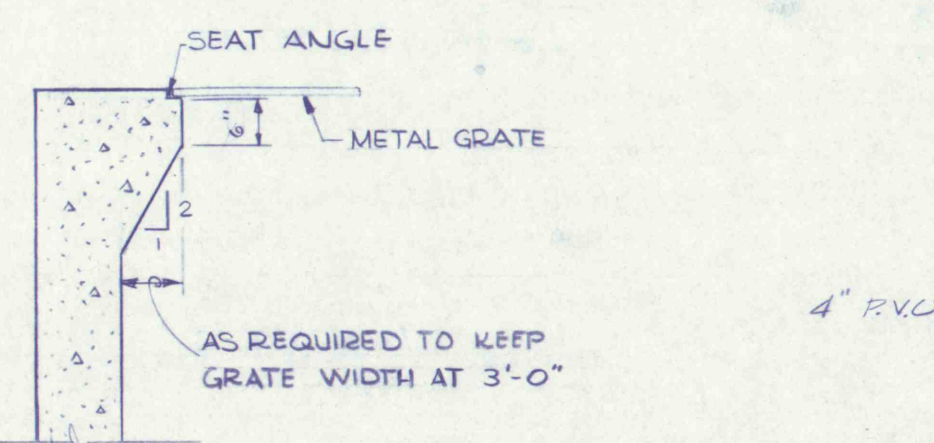


**DETAIL A**  
 SCALE: 1/2" = 1'-0"

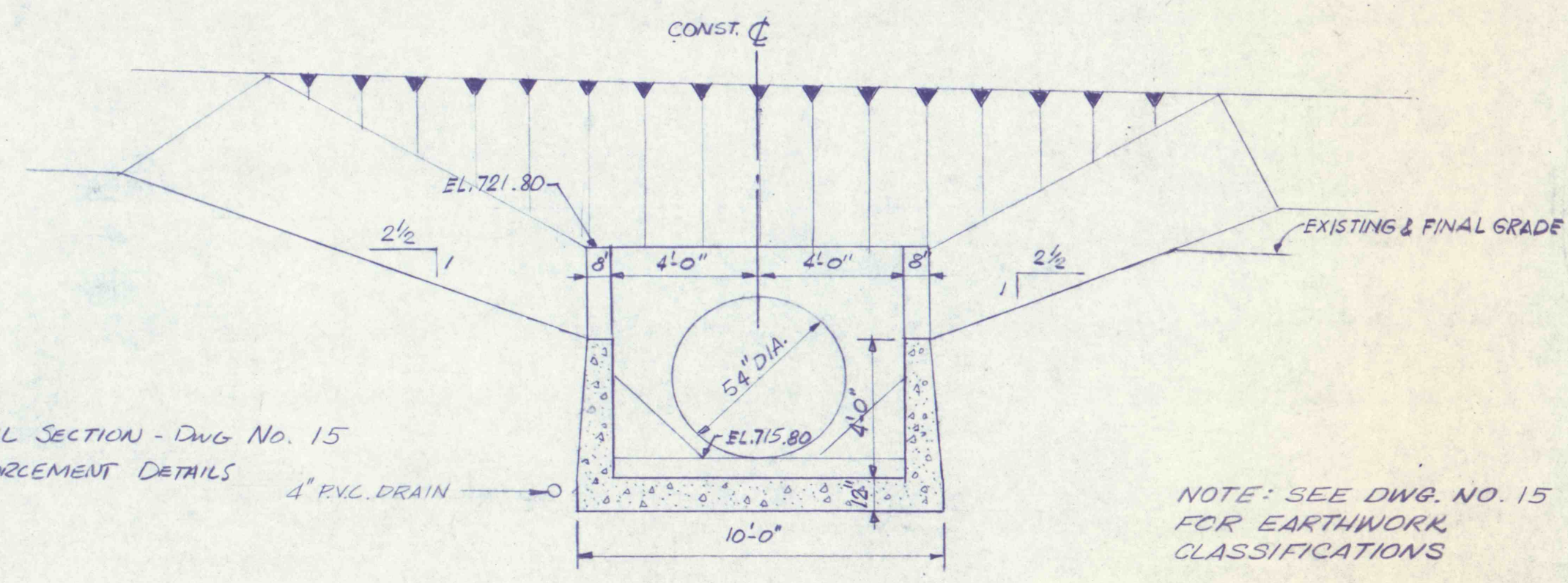


**HEADWALL DETAIL**  
 SCALE: 1/2" = 1'-0"

**ALT. GRATE INSTALLATION DETAIL**  
 SCALE: 1/2" = 1'-0"



**SECTION D-D**  
 SCALE: 1/4" = 1'-0"



**SECTION E-E**  
 SCALE: 1/4" = 1'-0"

SEE TYPICAL SECTION - DWG NO. 15 FOR REINFORCEMENT DETAILS

NOTE: SEE DWG. NO. 15 FOR EARTHWORK CLASSIFICATIONS

NO.	DATE	REVISION	APPR.

**FINAL**  
 S.J.M. JUL 28 1977  
 GEO-Technical Services  
 CONSULTING ENGINEERS & GEOLOGISTS  
 HARRISBURG, PENNA.

COMMONWEALTH OF PENNSYLVANIA  
 DEPARTMENT OF ENVIRONMENTAL RESOURCES  
 OFFICE OF RESOURCES MANAGEMENT

CONTRACT NO. SL 181-3-101.1  
**SUGAR NOTCH RUN AMD ABATEMENT PROJECT**  
**WARRIOR CREEK AND SOLOMON CREEK WATERSHEDS**  
 LUZERNE COUNTY, PENNA.

**MAIN STREET CROSSING**  
 STA. 56 + 50

Sheet 2 of 2  
 DRAWN BY: G.M. DATE: MAY 1977  
 CHECKED BY: J.D. SCALE: AS SHOWN  
 DRAWING NO. 23 of 40