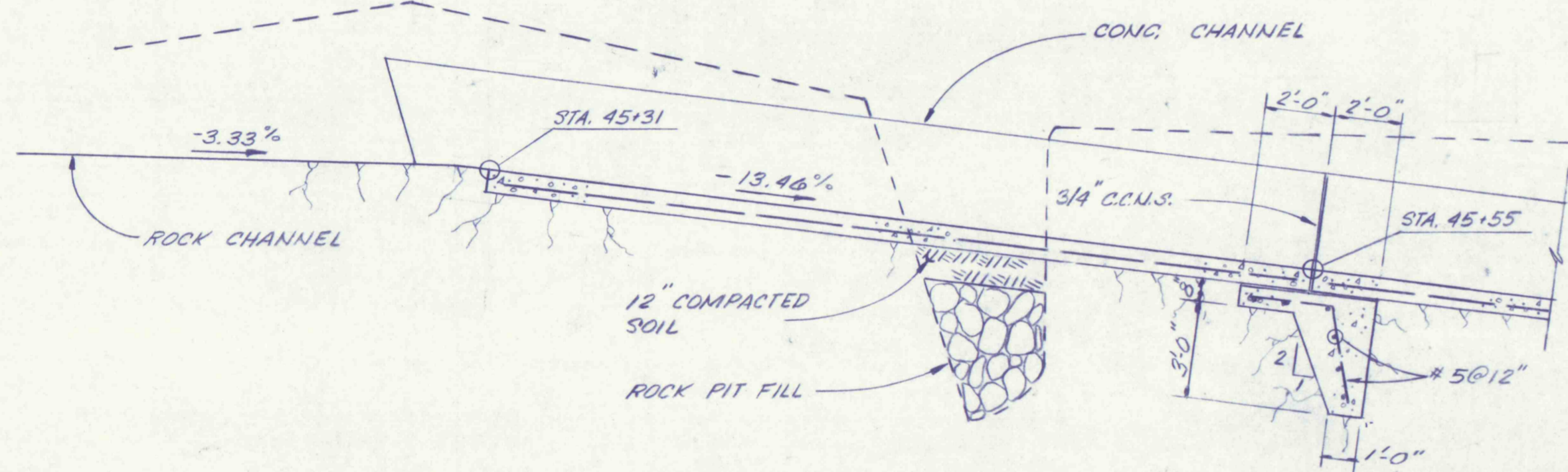
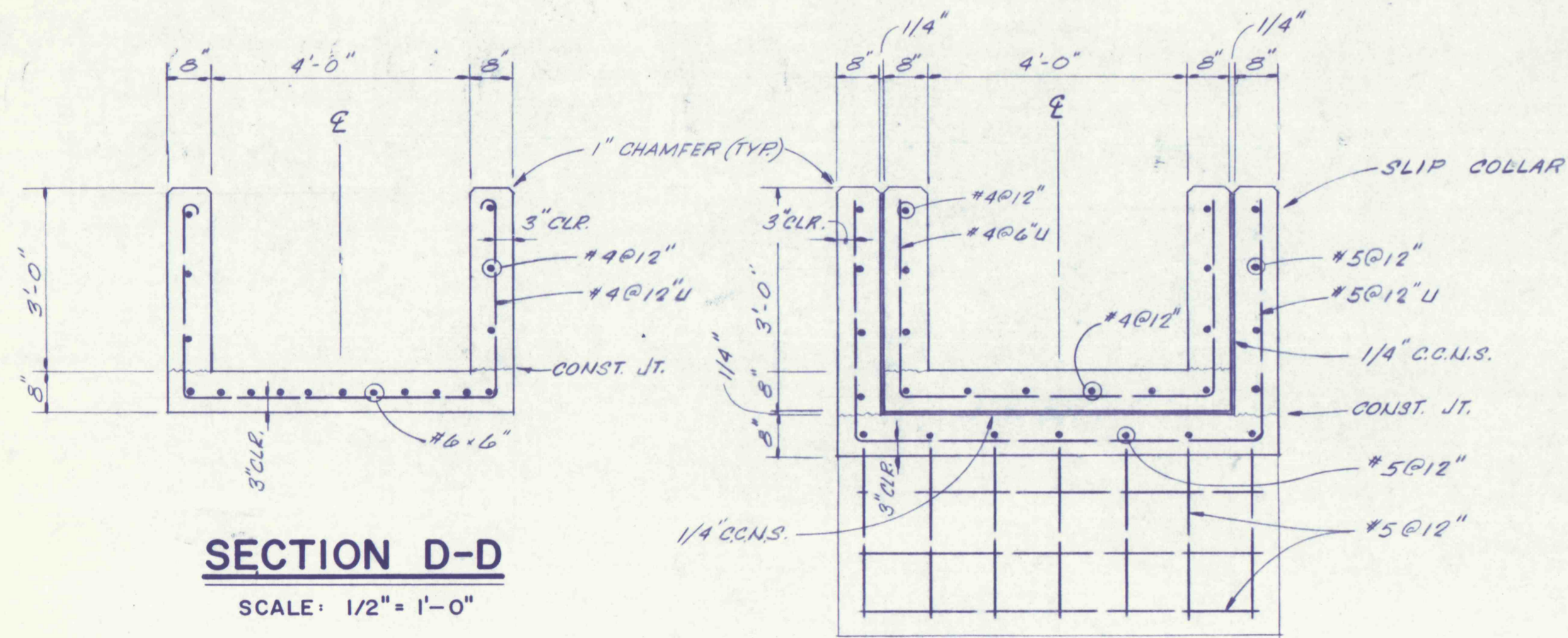


**PLAN**  
**STA. 45+20 TO STA. 45+60**  
 SCALE: 1/4" = 1'-0"

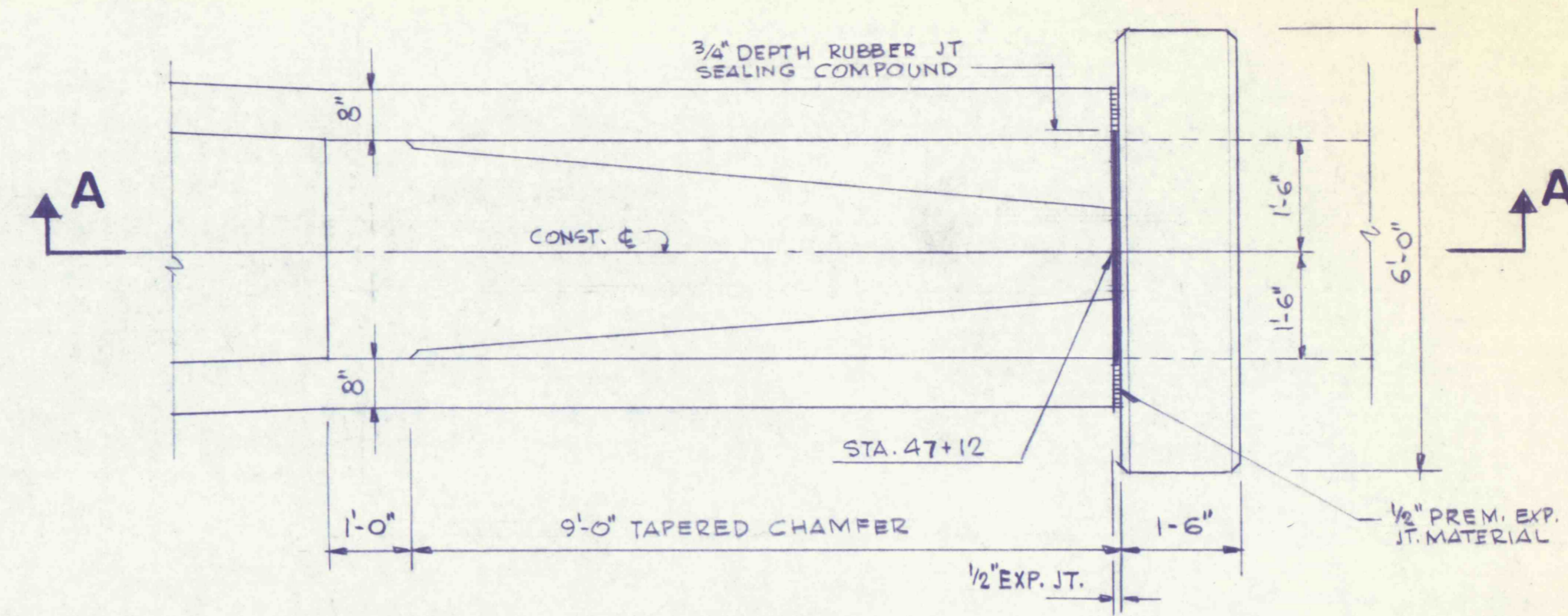


**SECTION C-C**  
 SCALE: 1/4" = 1'-0"

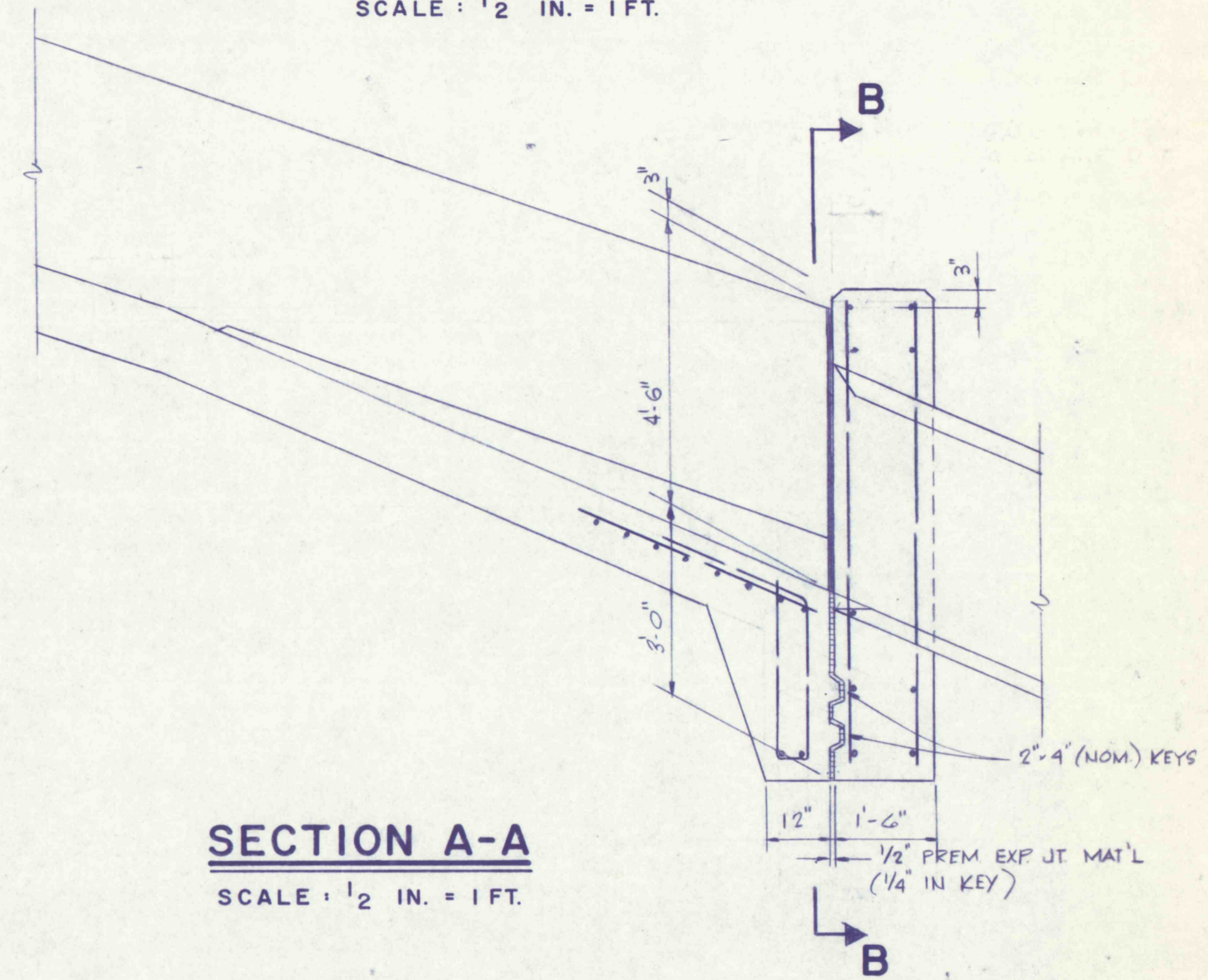


**SECTION D-D**  
 SCALE: 1/2" = 1'-0"

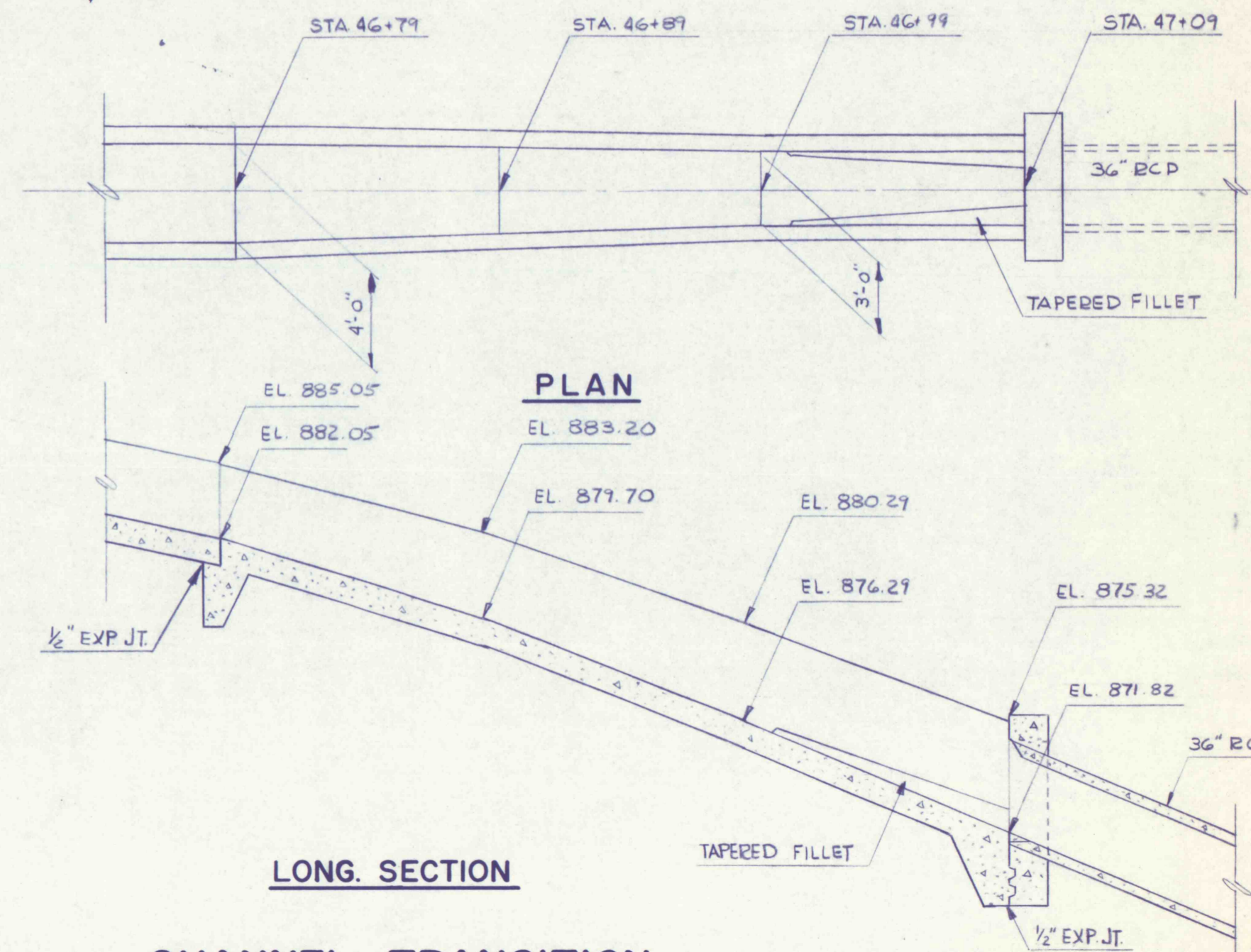
**SECTION E-E**  
 SCALE: 1/2" = 1'-0"



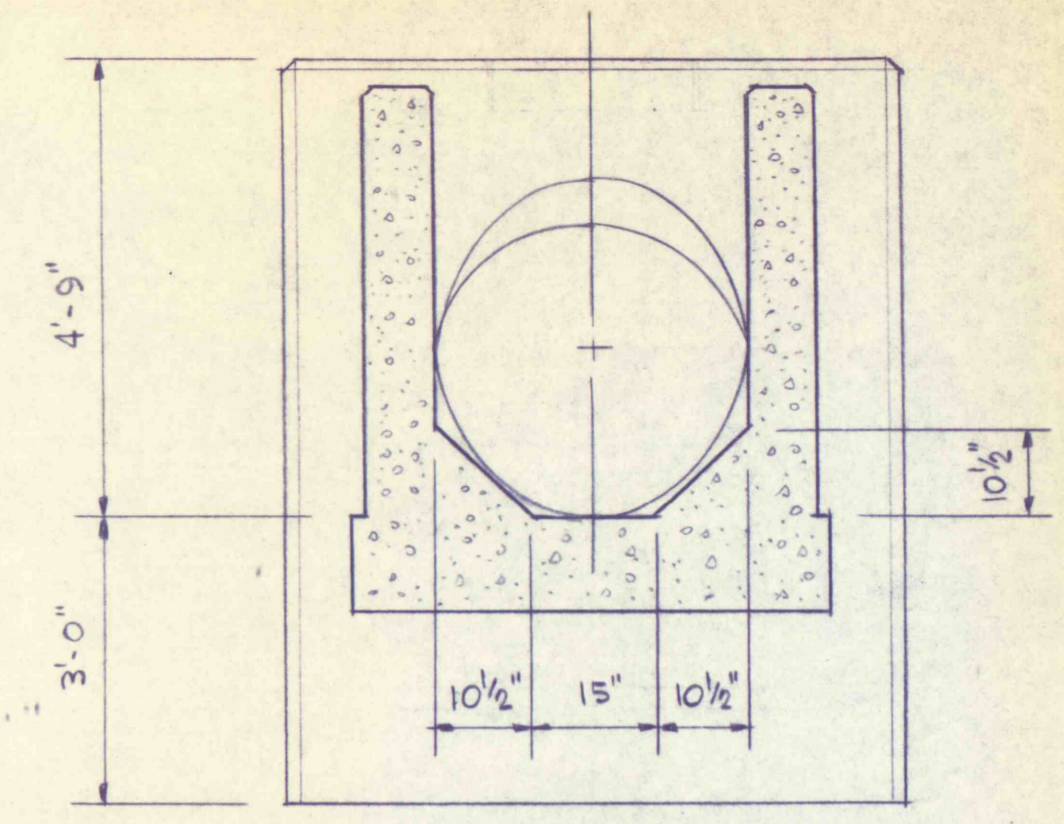
**PLAN**  
 SCALE: 1/2 IN. = 1 FT.



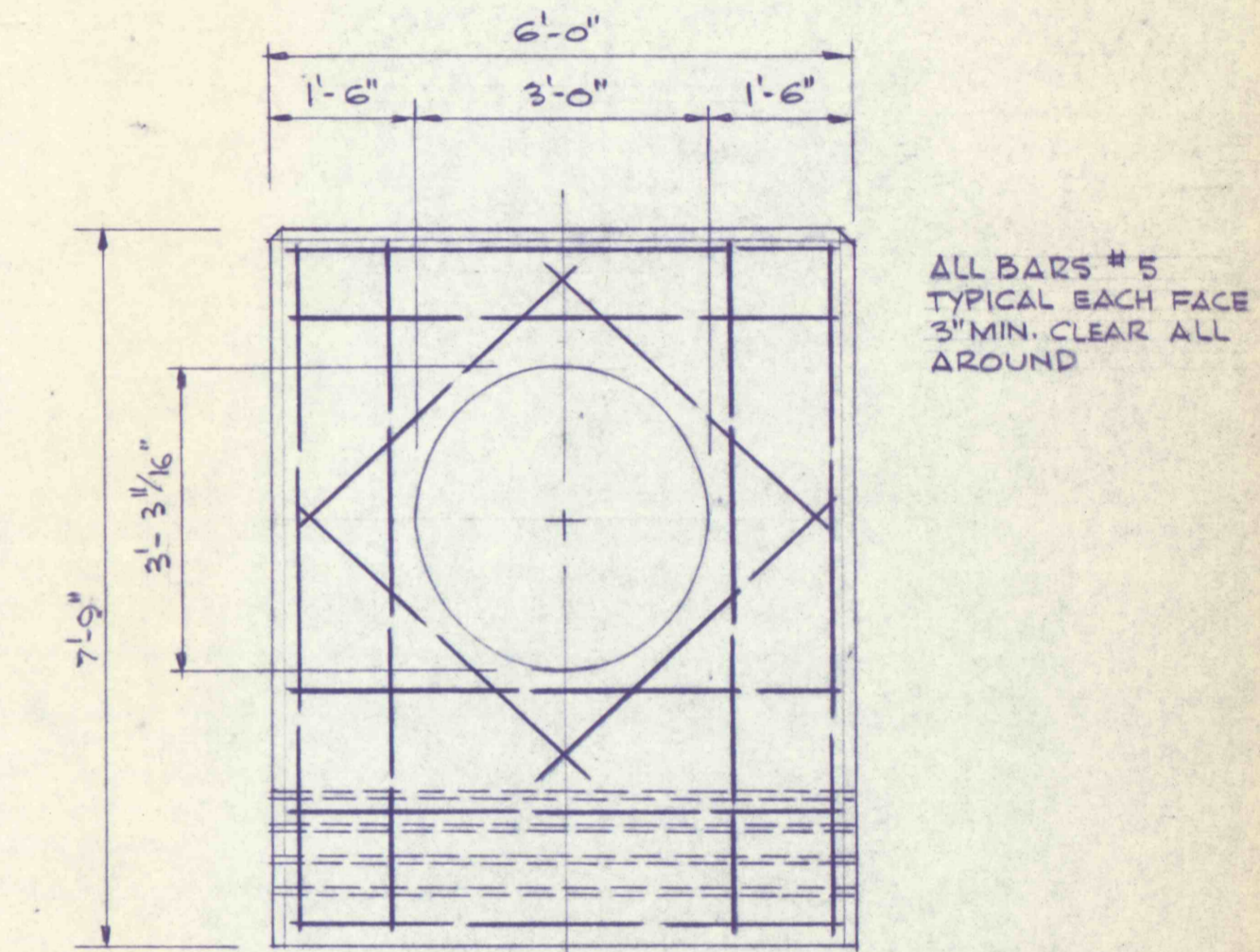
**SECTION A-A**  
 SCALE: 1/2 IN. = 1 FT.



**LONG SECTION**  
**CHANNEL TRANSITION**  
**STA. 46+79 TO STA. 47+09**  
 SCALE: 1 IN. = 5 FT.



**SECTION B-B**  
 SCALE: 1/2 IN. = 1 FT.



**END WALL REINFORCEMENT**  
 SCALE: 1/2 IN. = 1 FT.

ALL BARS #5  
 TYPICAL EACH FACE  
 3" MIN. CLEAR ALL  
 AROUND

NO.	DATE	REVISION	APPR.
SUBMITTED			
PROFESSIONAL			
APPROVED			
CHIEF - DIVISION OF MINE RECLAMATION			
APPROVED			
DIRECTOR - BUREAU OF DESIGN			

**FINAL**

S.J.M. JUL 28 1977

COMMONWEALTH OF PENNSYLVANIA  
 DEPARTMENT OF ENVIRONMENTAL RESOURCES  
 OFFICE OF RESOURCES MANAGEMENT

CONTRACT NO. SL 181-3-101.1

SUGAR NOTCH RUN AMD  
 ABATEMENT PROJECT  
 WARRIOR CREEK AND  
 SOLOMON CREEK WATERSHEDS

GEO - Technical Services  
 CONSULTING ENGINEERS & GEOLOGISTS  
 851 So. 19th St. HARRISBURG, PENNA.

**CHANNEL TRANSITION**  
**STA. 46+79 TO STA. 47+09**

DRAWN BY G.M.	DATE MAY 1977	DRAWING NO. 20 of 40
CHECKED BY SJM	SCALE As Shown	