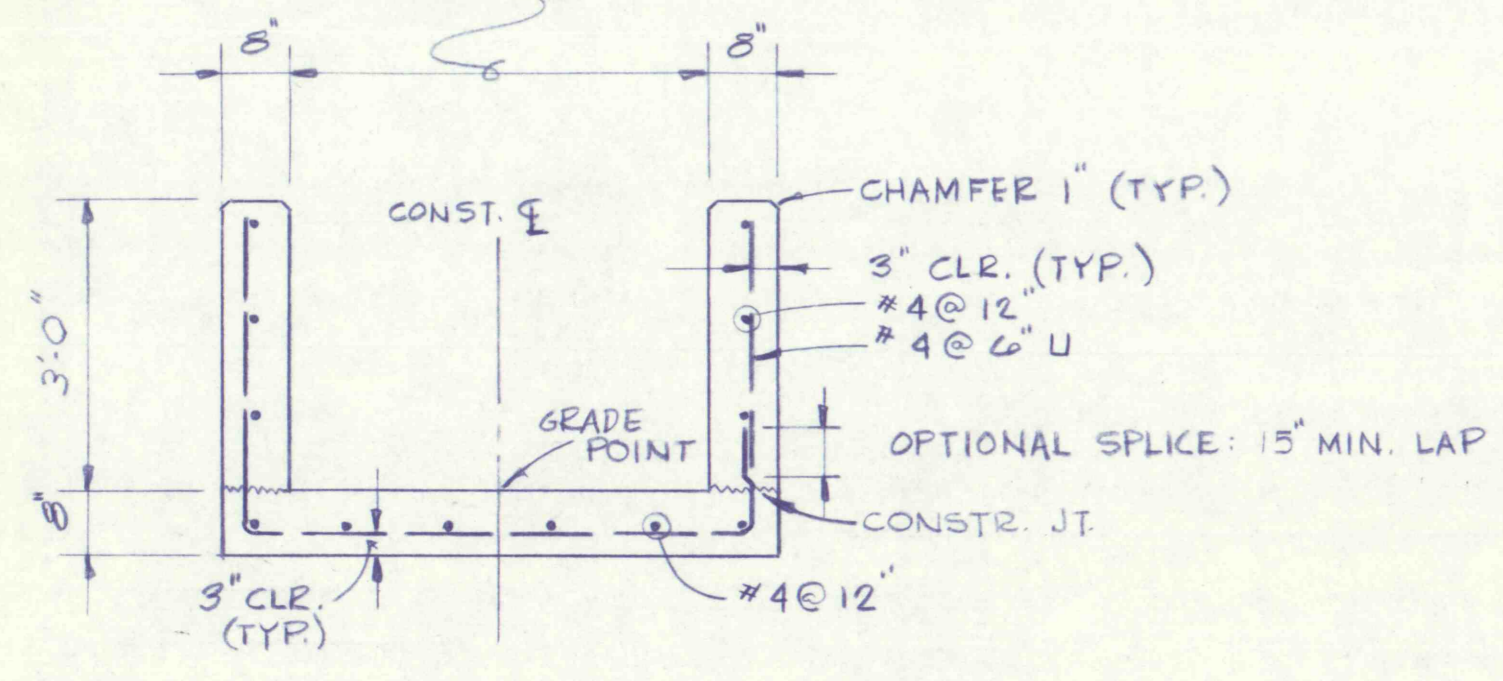
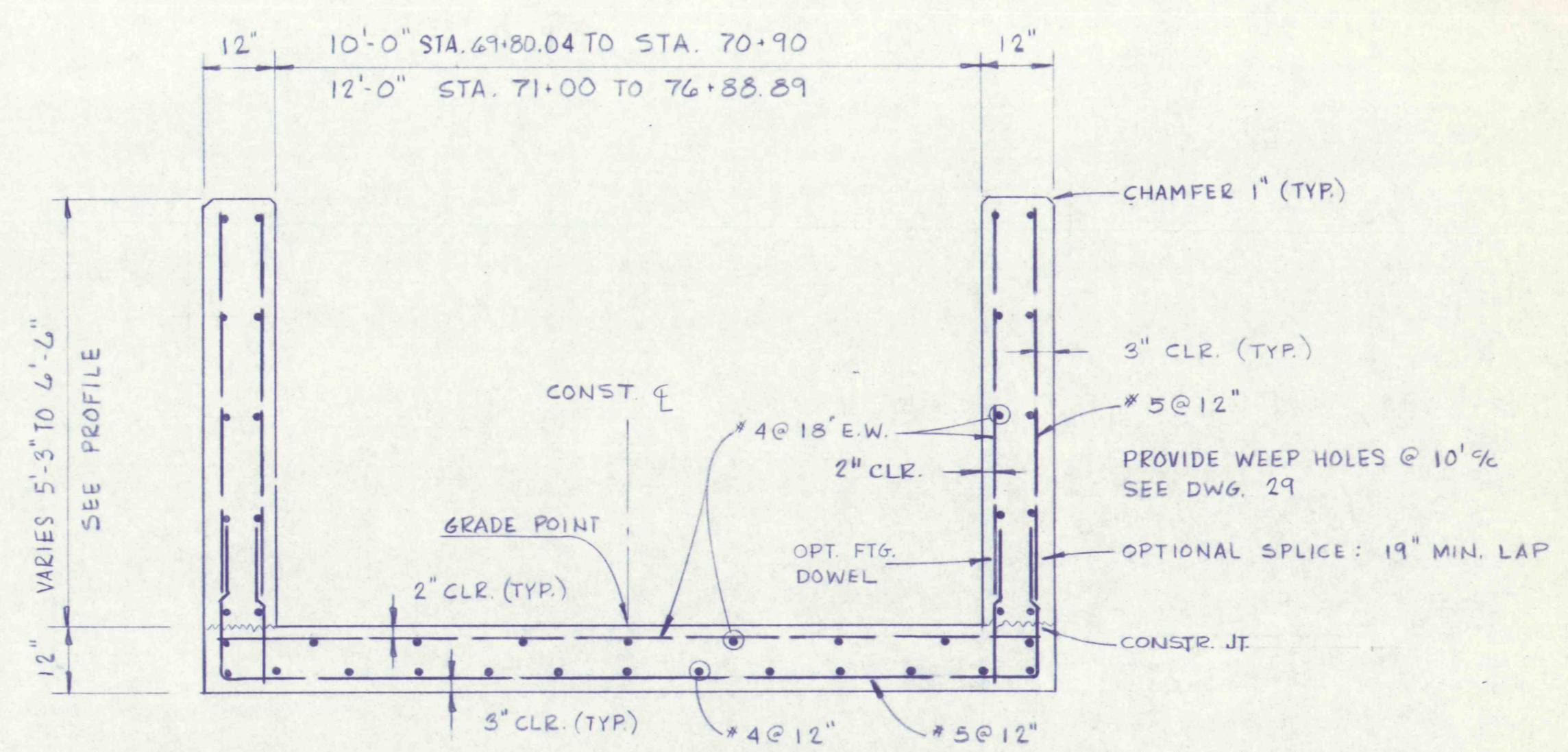


3'-6" STA. 35+40.30 TO STA. 42+38
 4'-0" STA. 45+55 TO STA. 46+79
 4'-0" STA. 49+21 TO STA. 50+40



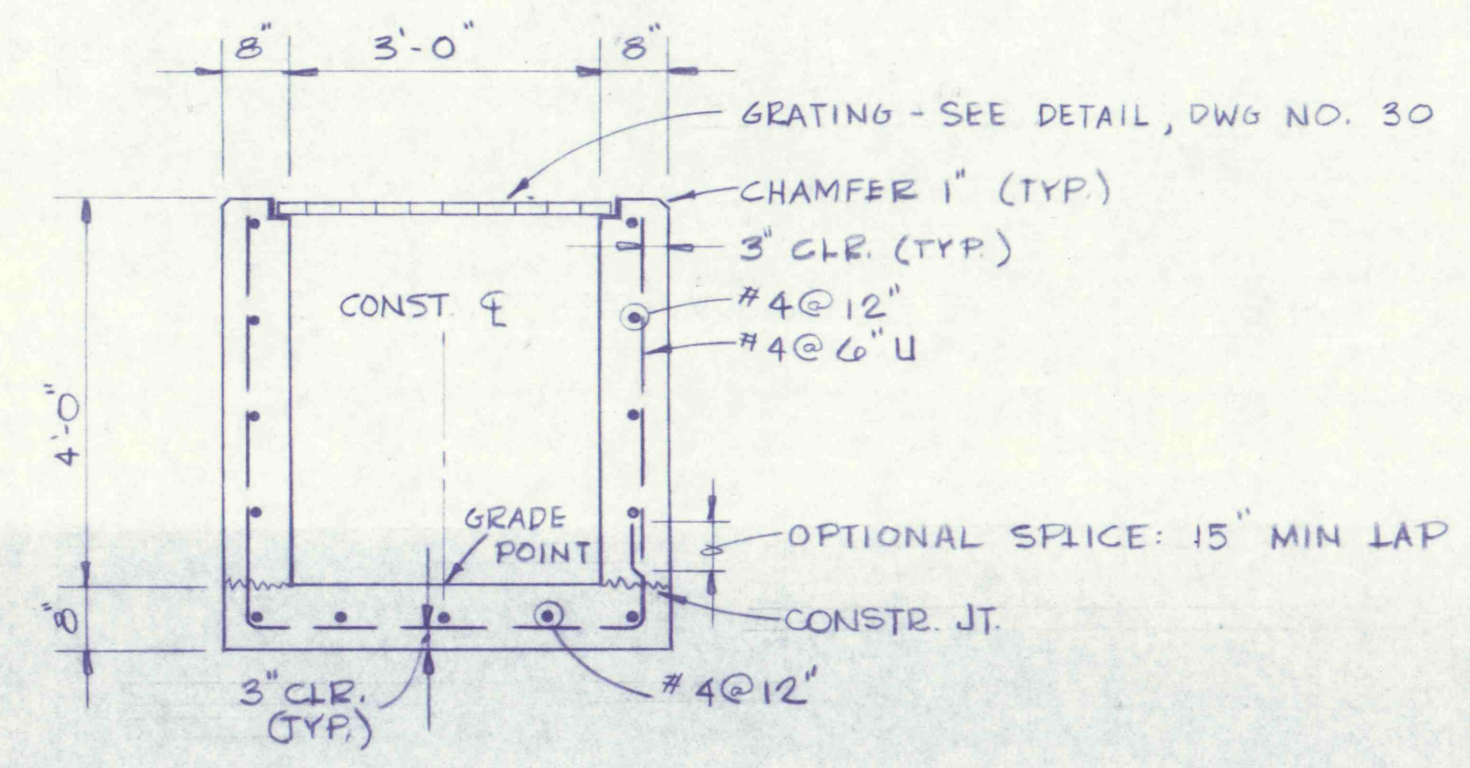
STA. 35+40.30 TO STA. 42+38
STA. 45+55 TO STA. 46+79
STA. 49+21 TO STA. 50+40

SCALE: 1/2" = 1'-0"



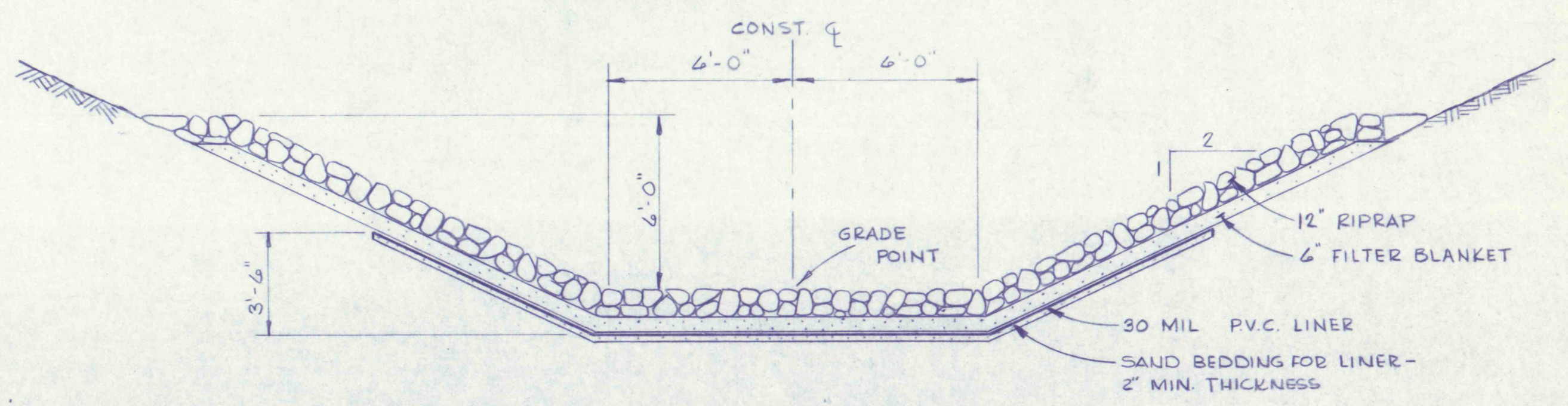
STA. 69+80.04 TO STA. 76+88.89

SCALE: 1/2" = 1'-0"



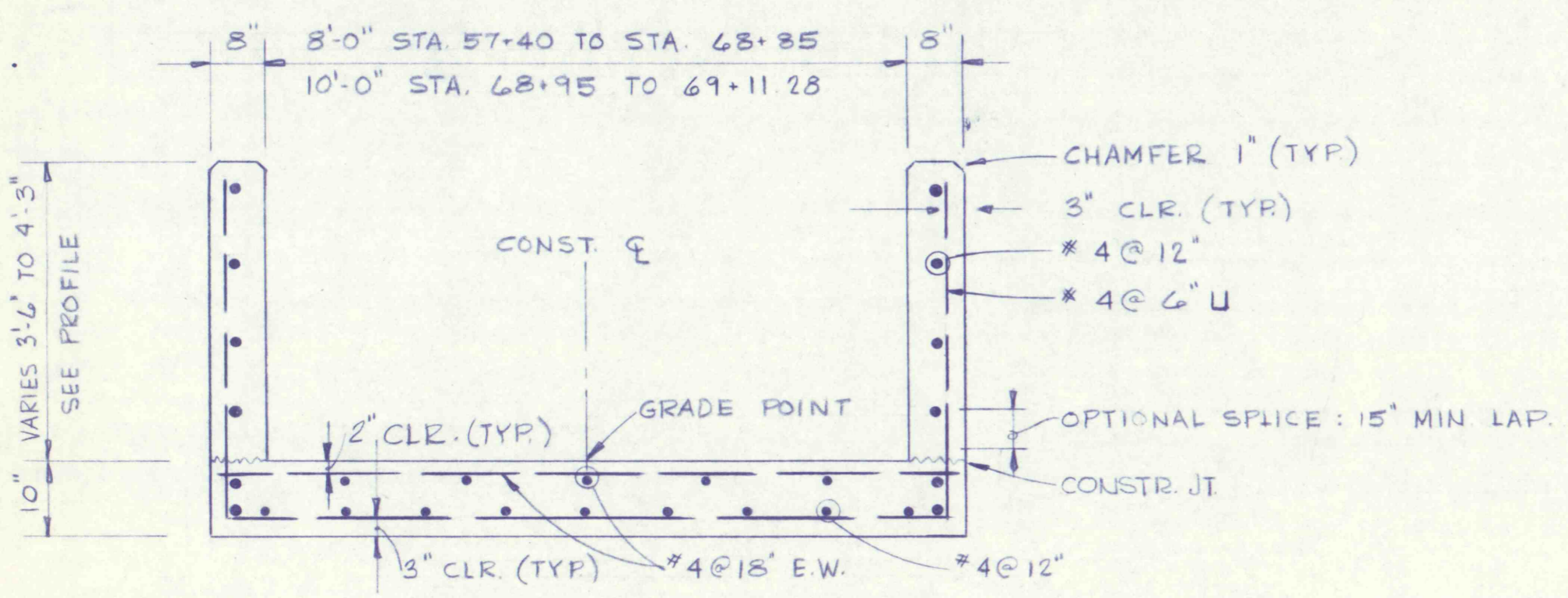
STA. 50+70 TO STA. 53+21

SCALE: 1/2" = 1'-0"



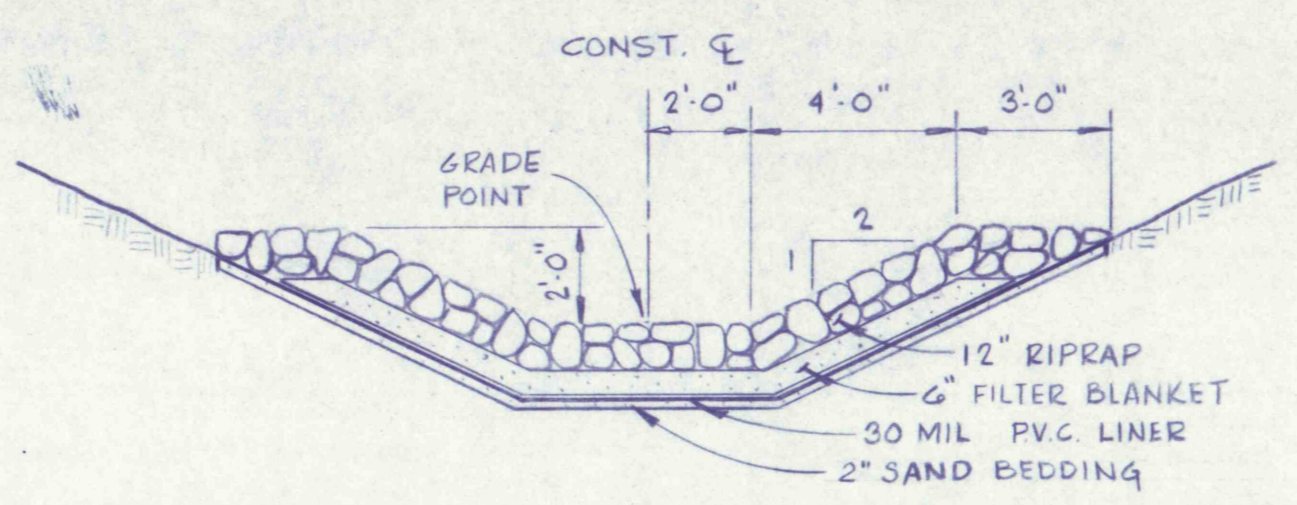
STA. 79+31.77 TO STA. 81+75

SCALE: 1/4" = 1'-0"



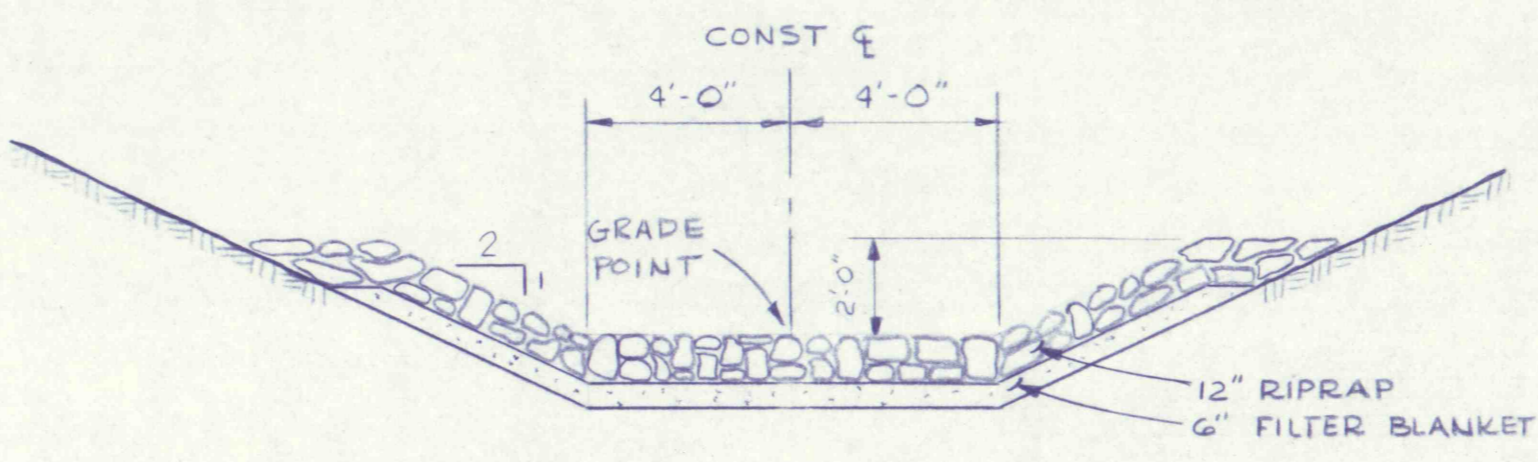
STA. 57+57.50 TO STA. 69+11.28

SCALE: 1/2" = 1'-0"



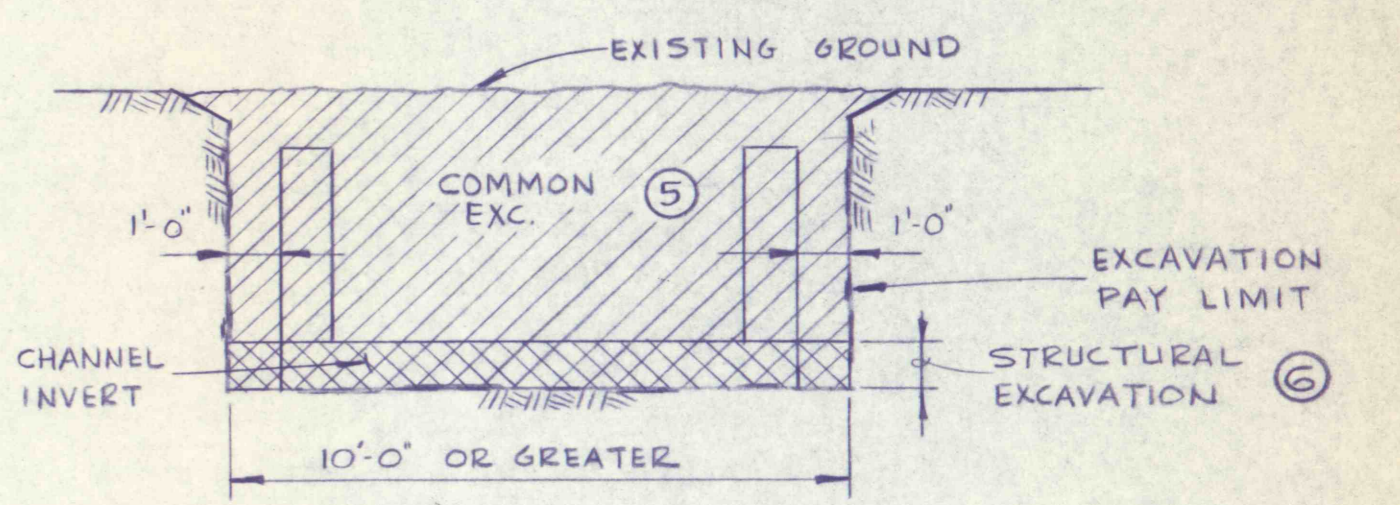
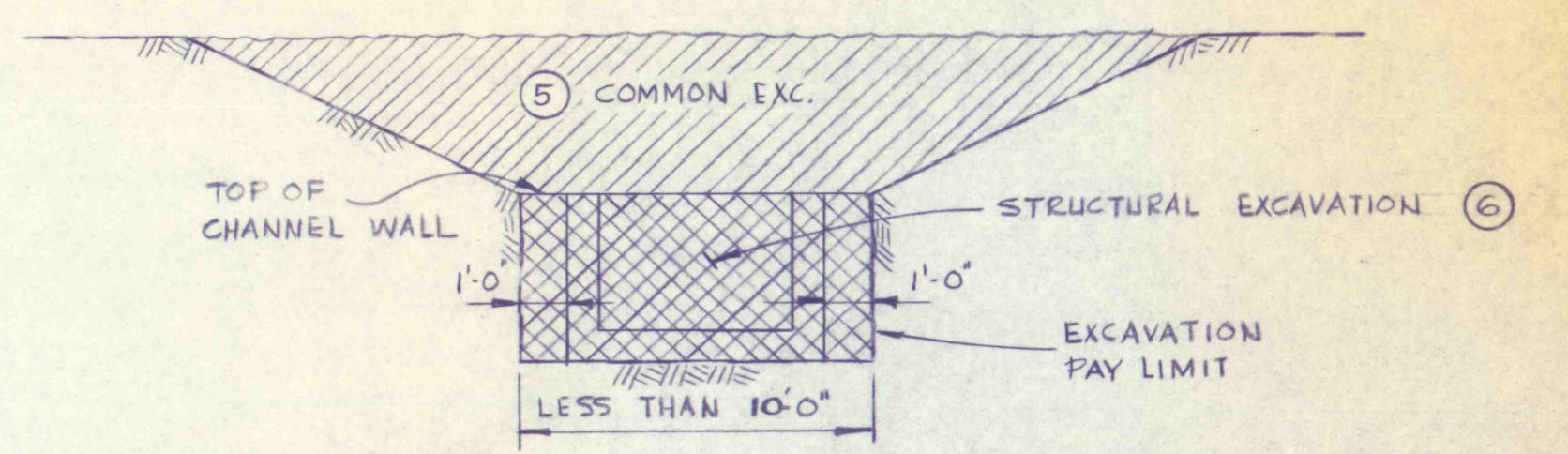
STA. 82+25 TO STA. 133+70

SCALE: 1/4" = 1'-0"



STA. 152+25 TO STA. 154+20

SCALE: 1/4" = 1'-0"



NOTE: ALL EXCAVATION FOR TRAPEZOIDAL CHANNELS SHALL BE CLASSIFIED AS COMMON EXCAVATION, OR ROCK EXCAVATION.

CHANNEL EXCAVATION CLASSIFICATION

NOT TO SCALE

NO.	DATE	REVISION	APPR.
SUBMITTED			
PROFESSIONAL			
APPROVED			
CHIEF - DIVISION OF MINE RECLAMATION			
APPROVED			
DIRECTOR - BUREAU OF DESIGN			
FINAL			
S.J.M. JUL 28 1977			
COMMONWEALTH OF PENNSYLVANIA DEPARTMENT OF ENVIRONMENTAL RESOURCES OFFICE OF RESOURCES MANAGEMENT			
CONTRACT NO. SL 181-3-101.1			
SUGAR NOTCH RUN AMD ABATEMENT PROJECT WARRIOR CREEK AND SOLOMON CREEK WATERSHEDS			
GEO - Technical Services CONSULTING ENGINEERS & GEOLOGISTS			
851 So. 19th St.		HARRISBURG, PENNA.	

TYPICAL CHANNEL SECTIONS & EARTHWORK CLASSIFICATION

DRAWN BY R.L.A.	DATE MAY 1977	DRAWING NO. 15 of 40
CHECKED BY S.J.M.	SCALE As Shown	