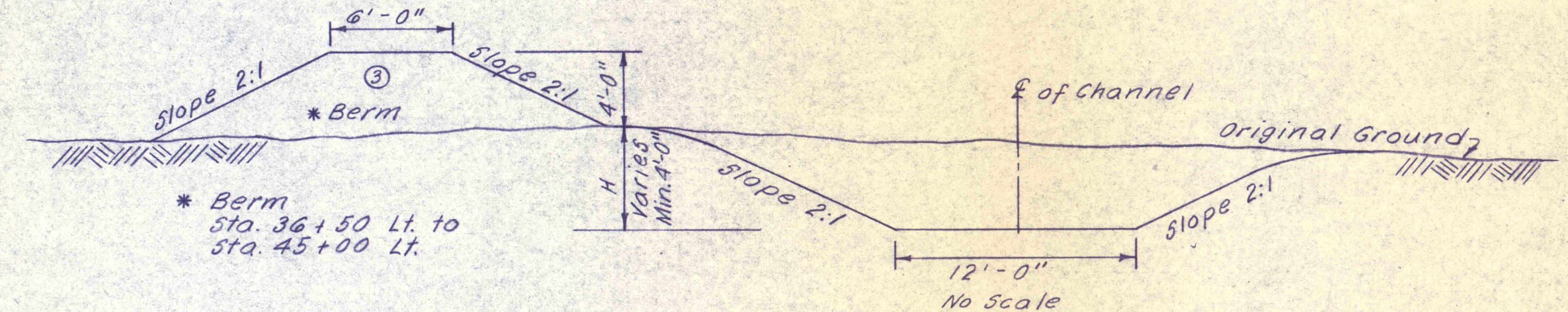
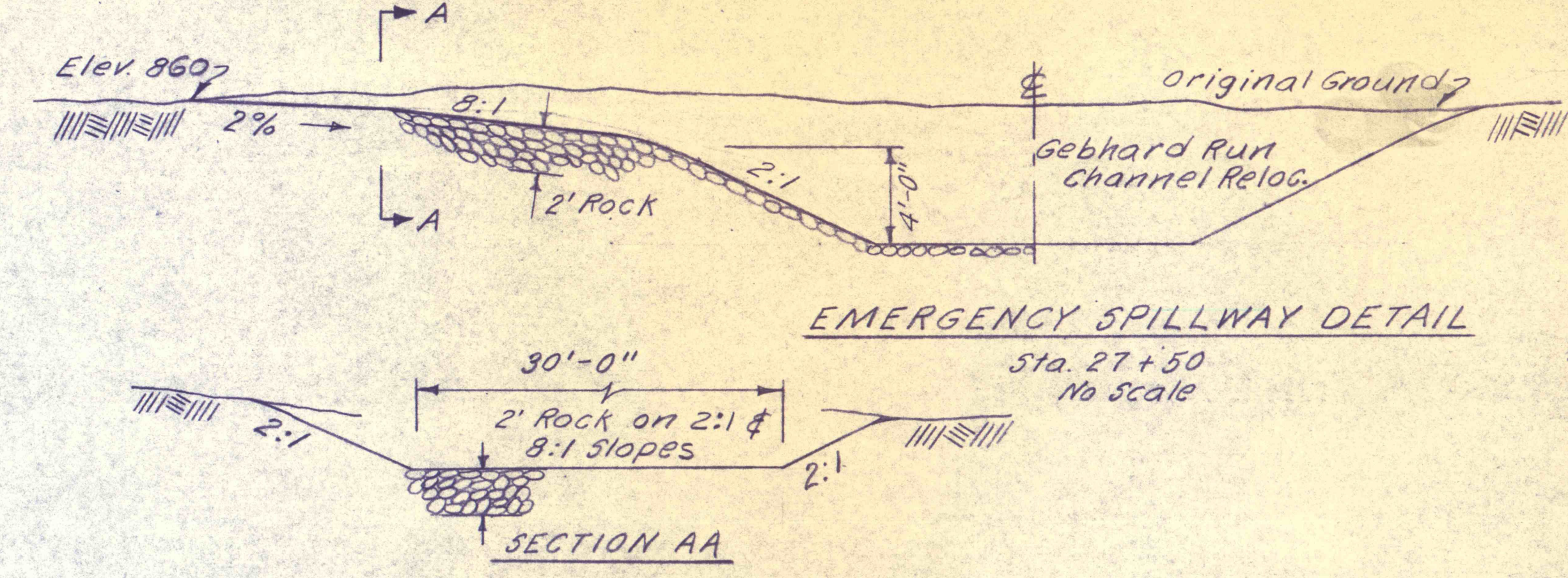
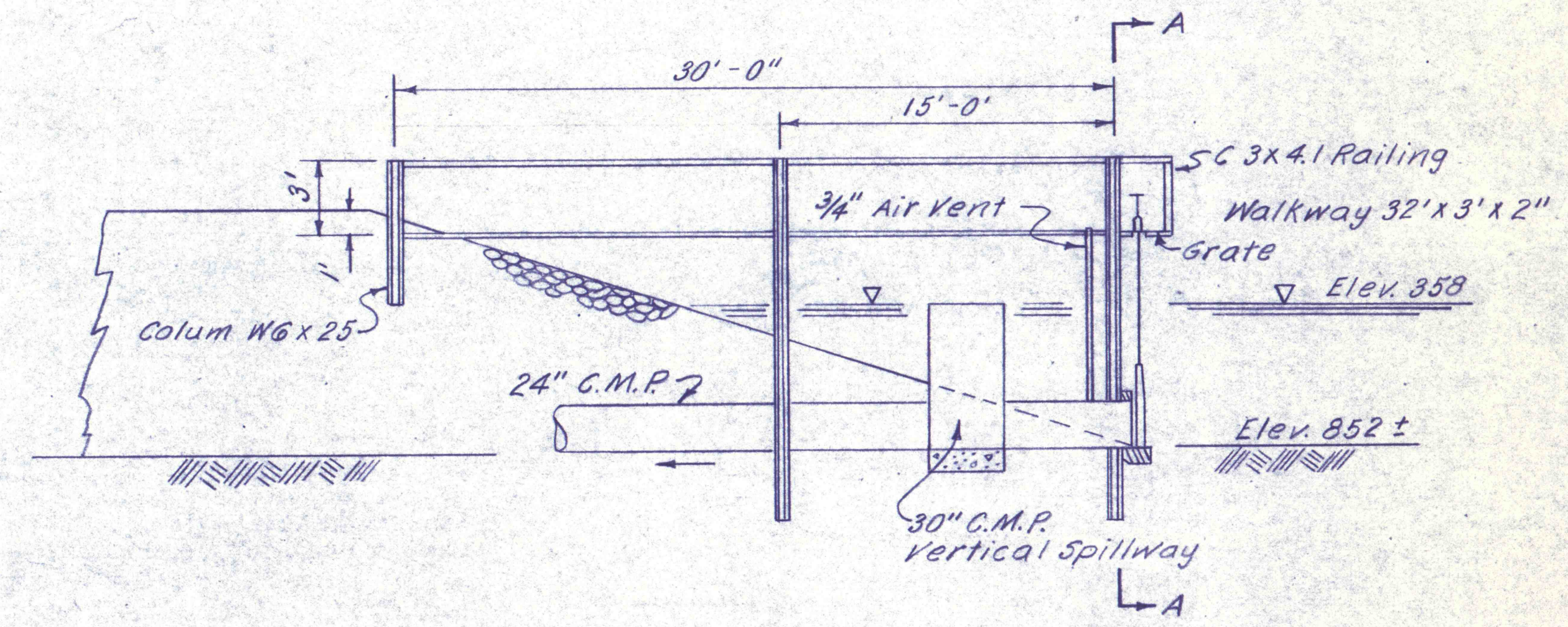


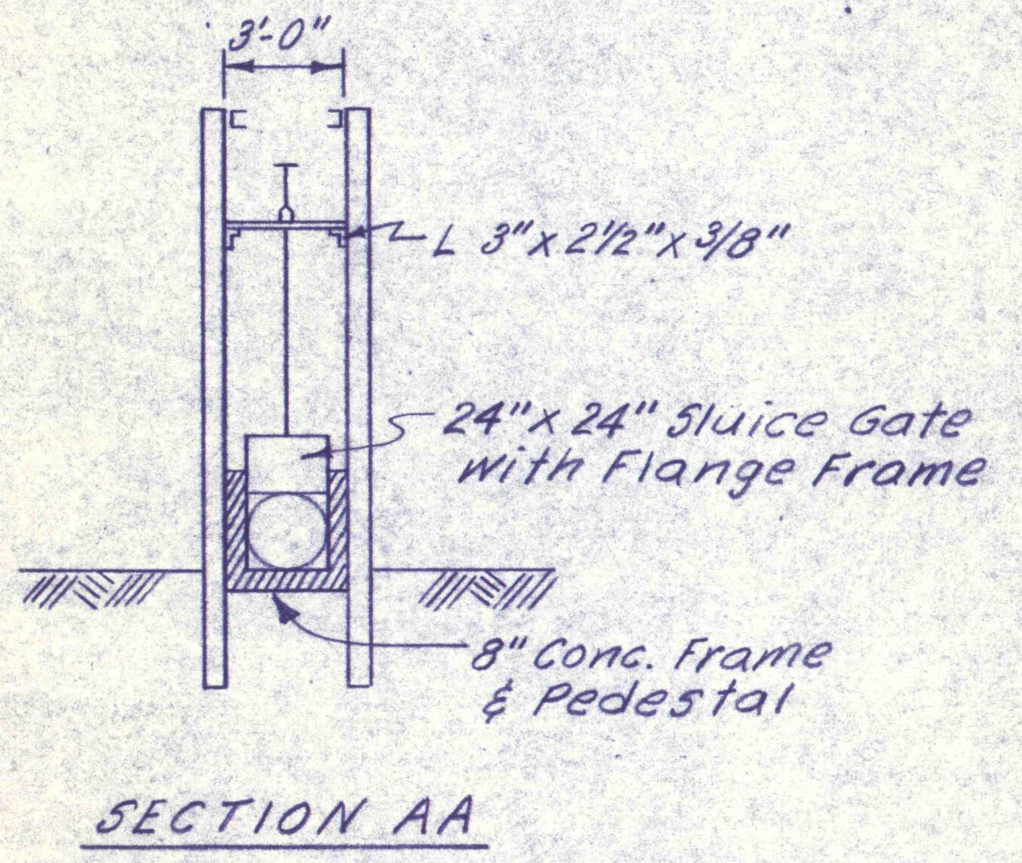
TYPICAL SECTION-IMPOUNDMENT DIKE AT GEBHARD RUN
 1. Clay compacted to Optimum Moisture Content in 8" Layers
 2. Rock Fill - 100 Lb. to 300 Lb. - 1' Min. Dimension
 3. Available Material from excavation, excluding Refuse



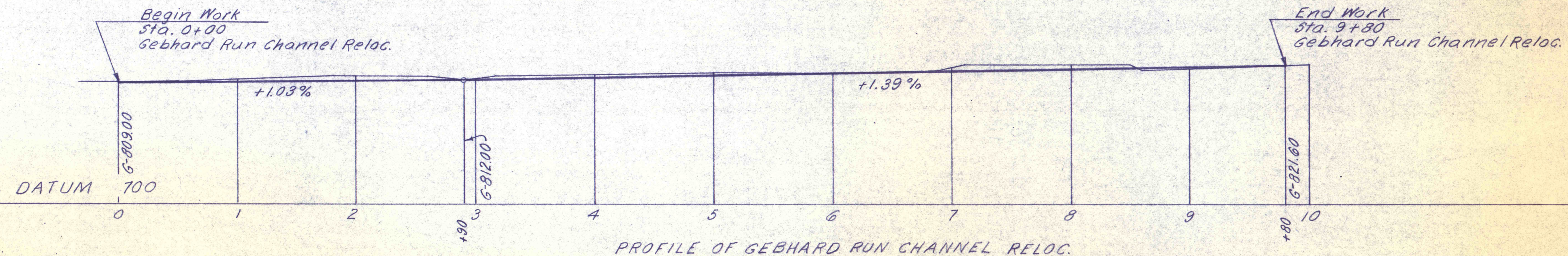
TYPICAL SECTION-GEBHARD RUN CHANNEL RELOC.
 Sta. 0+00 to Sta. 9+80
 Sta. 8+50 to Sta. 46+00



IMPOUNDMENT OVERFLOW DETAIL
 No Scale



SECTION AA



PROFILE OF GEBHARD RUN CHANNEL RELOC.

NO	DATE	REVISION	APPR.

SUBMITTED _____
 PROFESSIONAL _____
 APPROVED _____
 CHIEF-DIVISION OF MINE REHABILITATION _____
 APPROVED _____
 DIRECTOR-BUREAU OF CONSULTING SERVICES _____

COMMONWEALTH OF PENNSYLVANIA
 DEPARTMENT OF ENVIRONMENTAL RESOURCES
 OFFICE OF ENGINEERING AND CONSTRUCTION

PROJECT NO. SL-126-2-7

MINE DRAINAGE
 POLLUTION ABATEMENT
 SWATARA CREEK WATERSHED
 SCHUYLKILL COUNTY

BERGER ASSOCIATES, INC.
 Consulting Engineers
 P.O. Box 1943 Harrisburg, Penna.

PART 2A
 GEBHARD RUN
 CHANNEL RELOC.

DRAWN BY W.G.	DATE Feb. 2, 1973	DRAWING NO. 31 of 31
CHECKED BY M.W.	SCALE 1" = 50'	