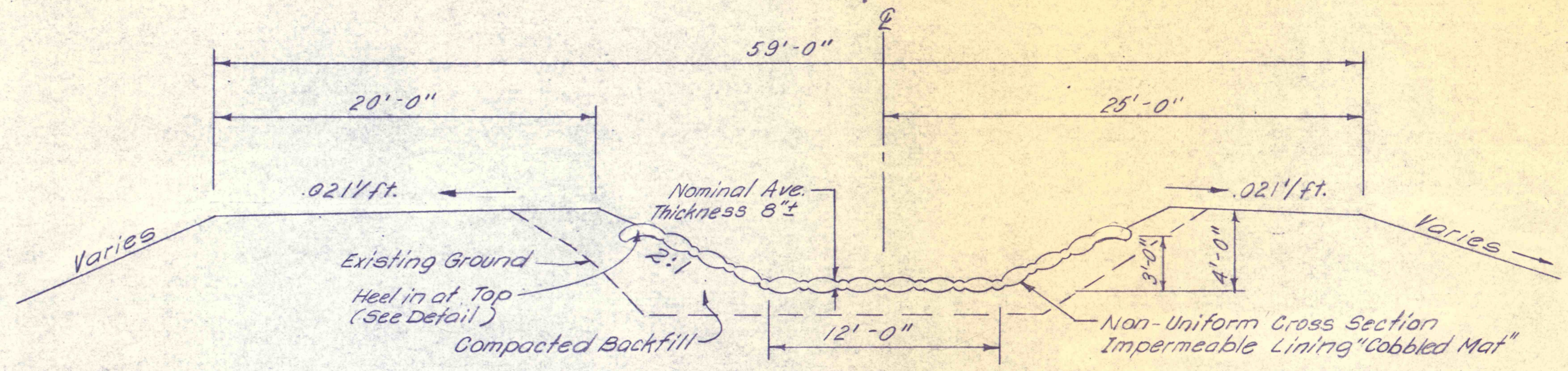
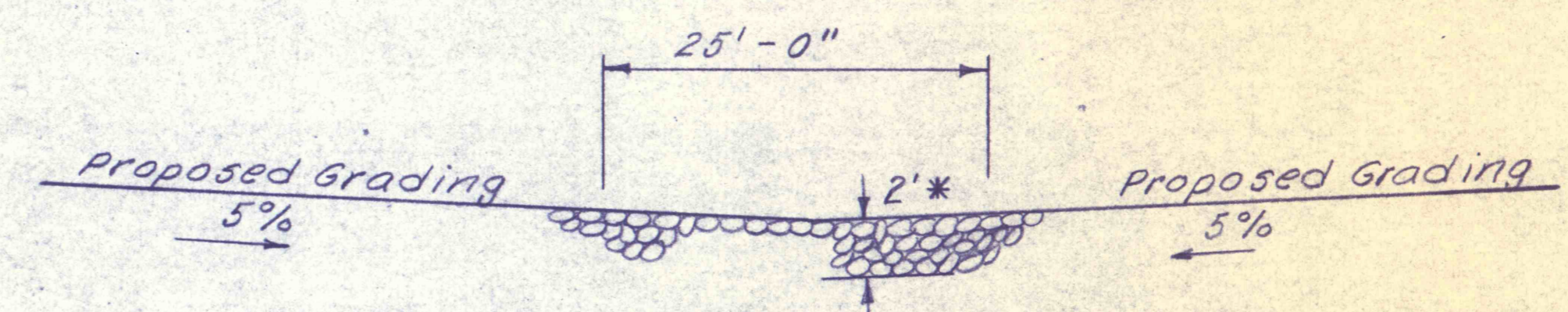


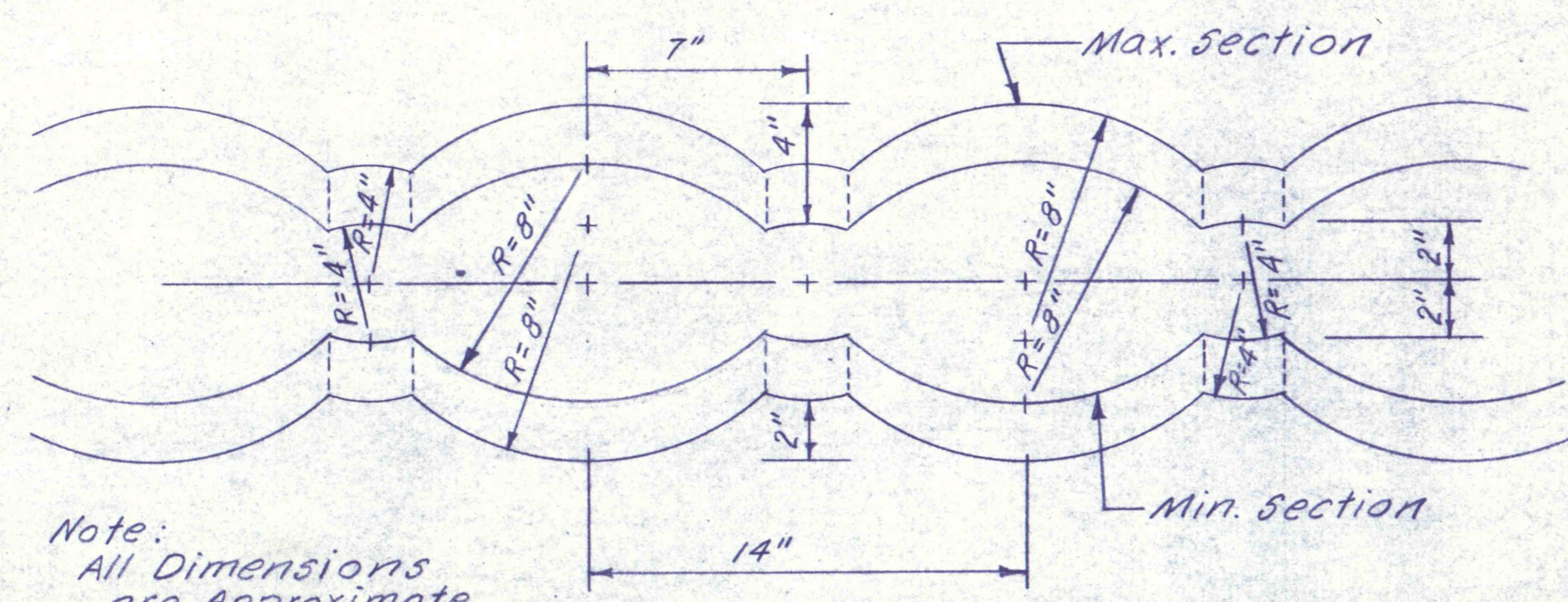
PLAN VIEW
No Scale



TYPICAL SECTION
UPPER MIDDLE CREEK FLUME
Sta. 0+00 to Sta. 13+20

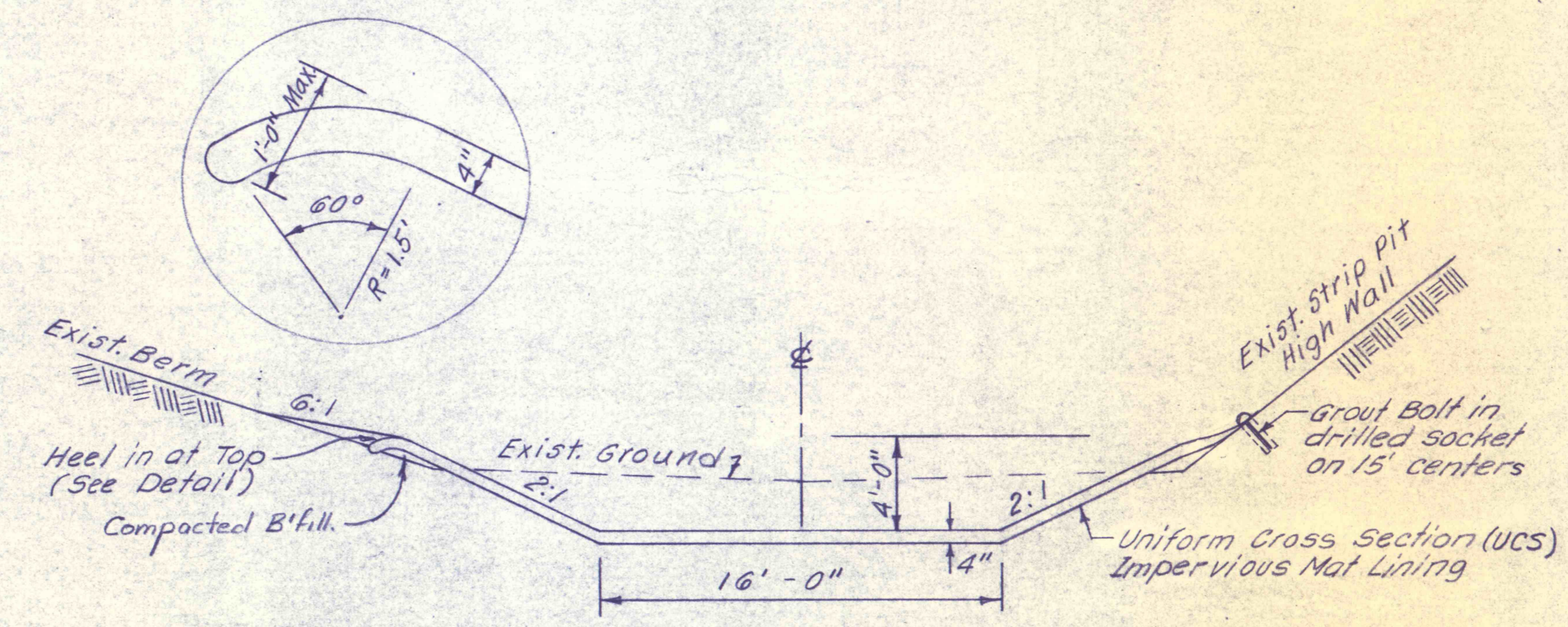


SWALE DETAIL
* Rock Lining as shown on Plan



Note:
All Dimensions
are Approximate

CROSS SECTION DETAILS - NON UCS IMPERMEABLE "COBBLED MAT" LINING
No Scale



TYPICAL SECTION
MIDDLE CREEK CHANNEL LINING
Sta. 4+50 to Sta. 33+70

NO	DATE	REVISION	APPR.

COMMONWEALTH OF PENNSYLVANIA
DEPARTMENT OF ENVIRONMENTAL RESOURCES
OFFICE OF ENGINEERING AND CONSTRUCTION

PROJECT NO. SL-126-2-7

MINE DRAINAGE
POLLUTION ABATEMENT
SWATARA CREEK WATERSHED
SCHUYLKILL COUNTY

BERGER ASSOCIATES, INC.
Consulting Engineers

P.O. Box 1943 Harrisburg, Penna.

PART 1A - MIDDLE CREEK
REVTMENT MAT LININGS

DRAWN BY W. G.	DATE Feb. 2, 1973	DRAWING NO. 29 of 31
CHECKED BY M. W.	SCALE No Scale	