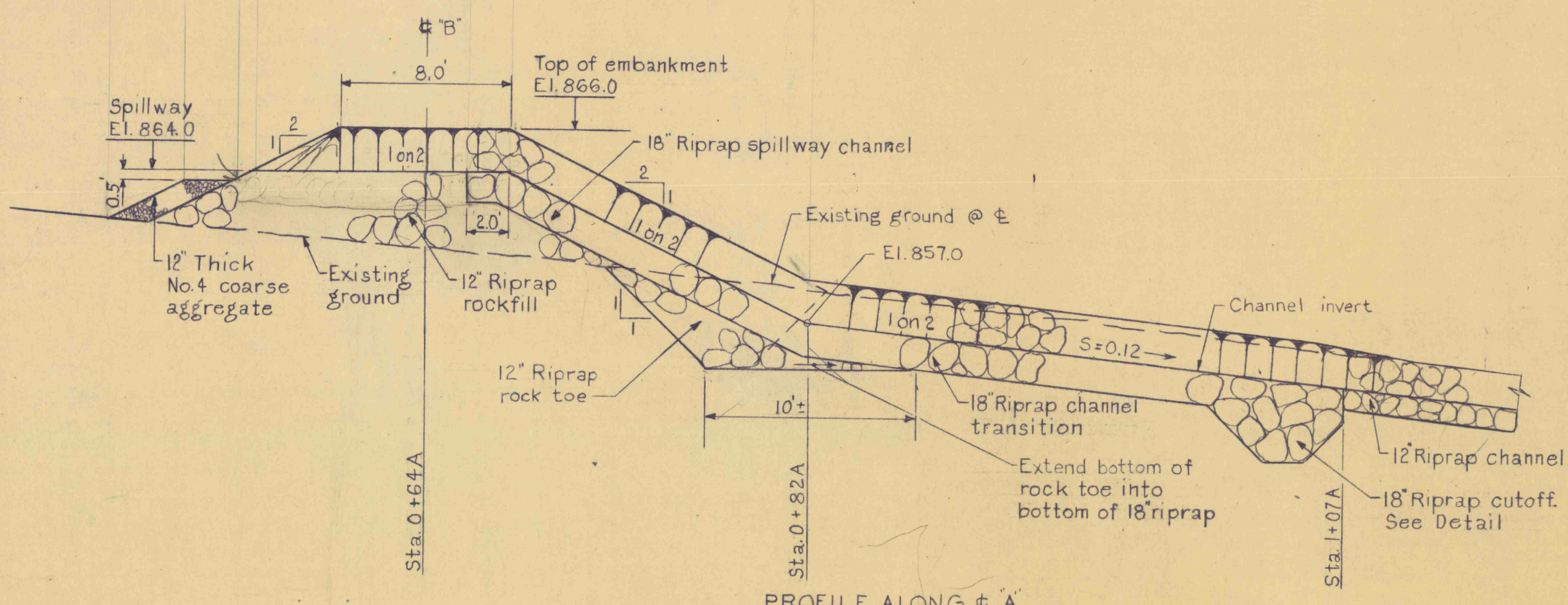


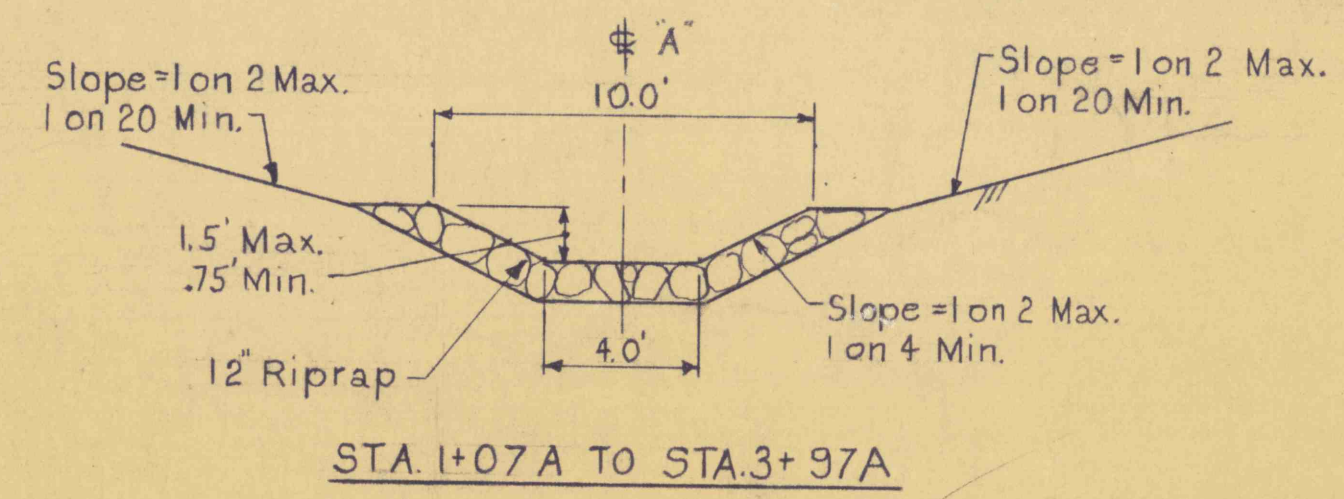
PLAN



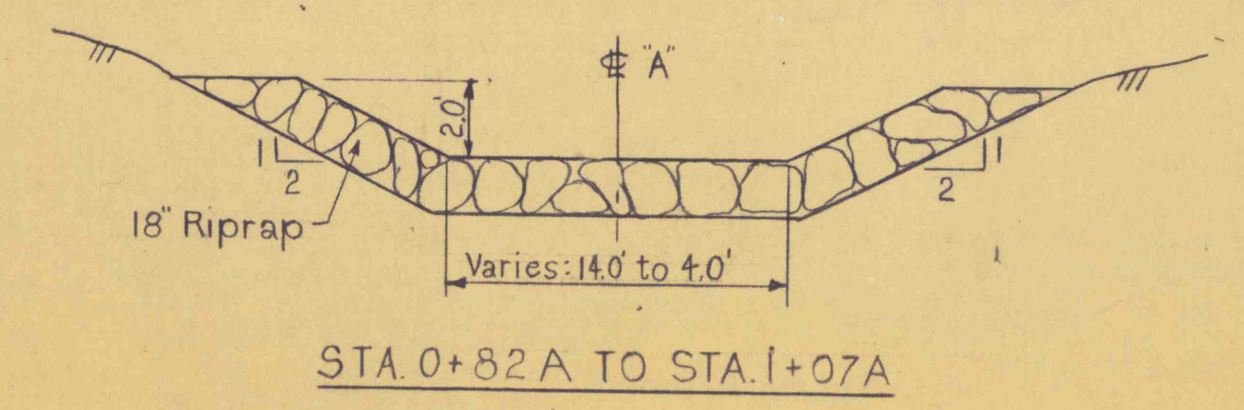
PROFILE ALONG E-A

ROCKFILL EMBANKMENT AND SPILLWAY

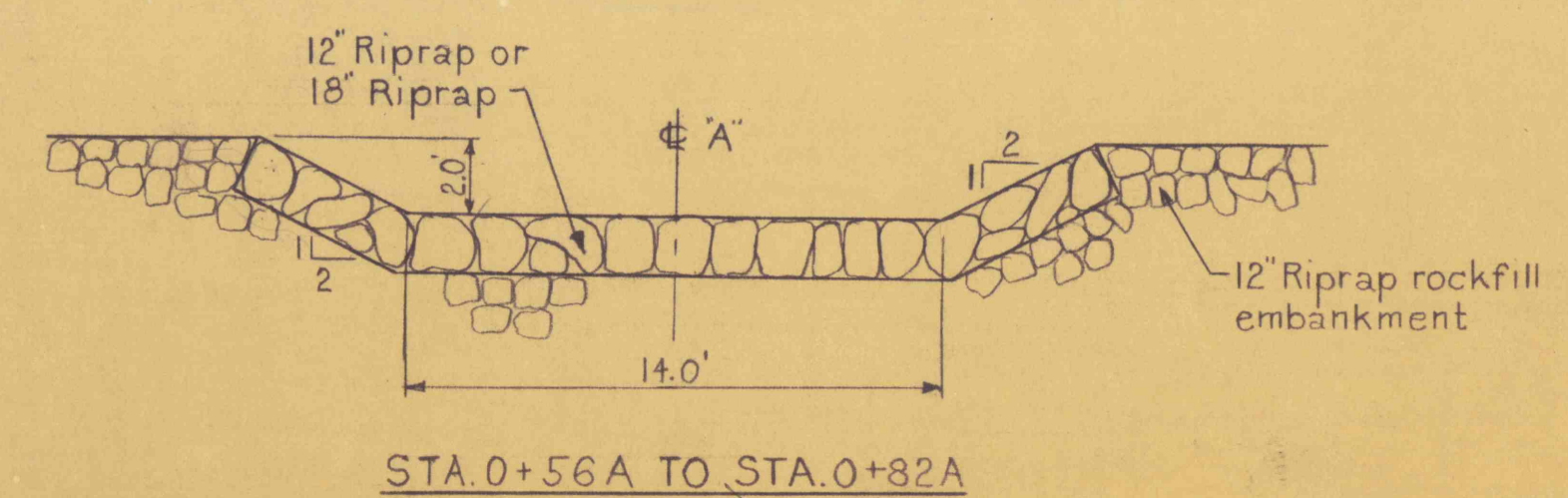
Scale: 1 in. = 5 ft.



STA. 1+07A TO STA. 3+97A



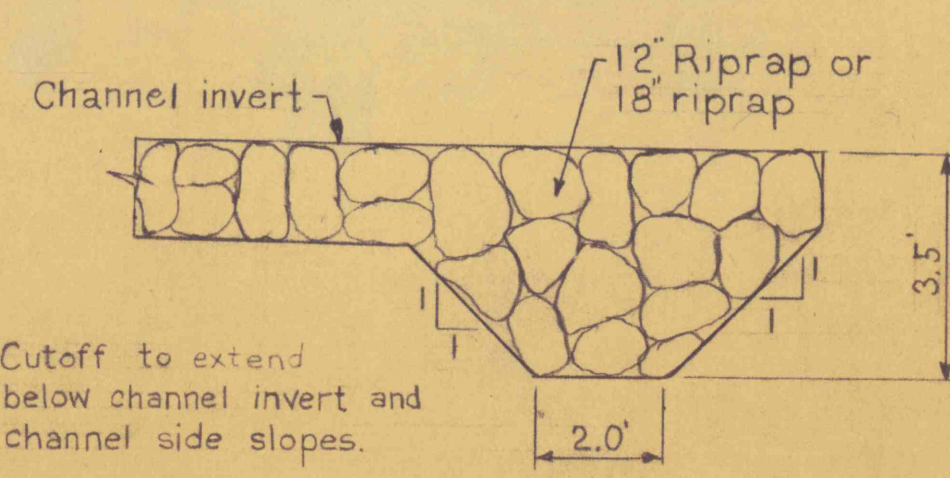
STA. 0+82A TO STA. 1+07A



STA. 0+56A TO STA. 0+82A

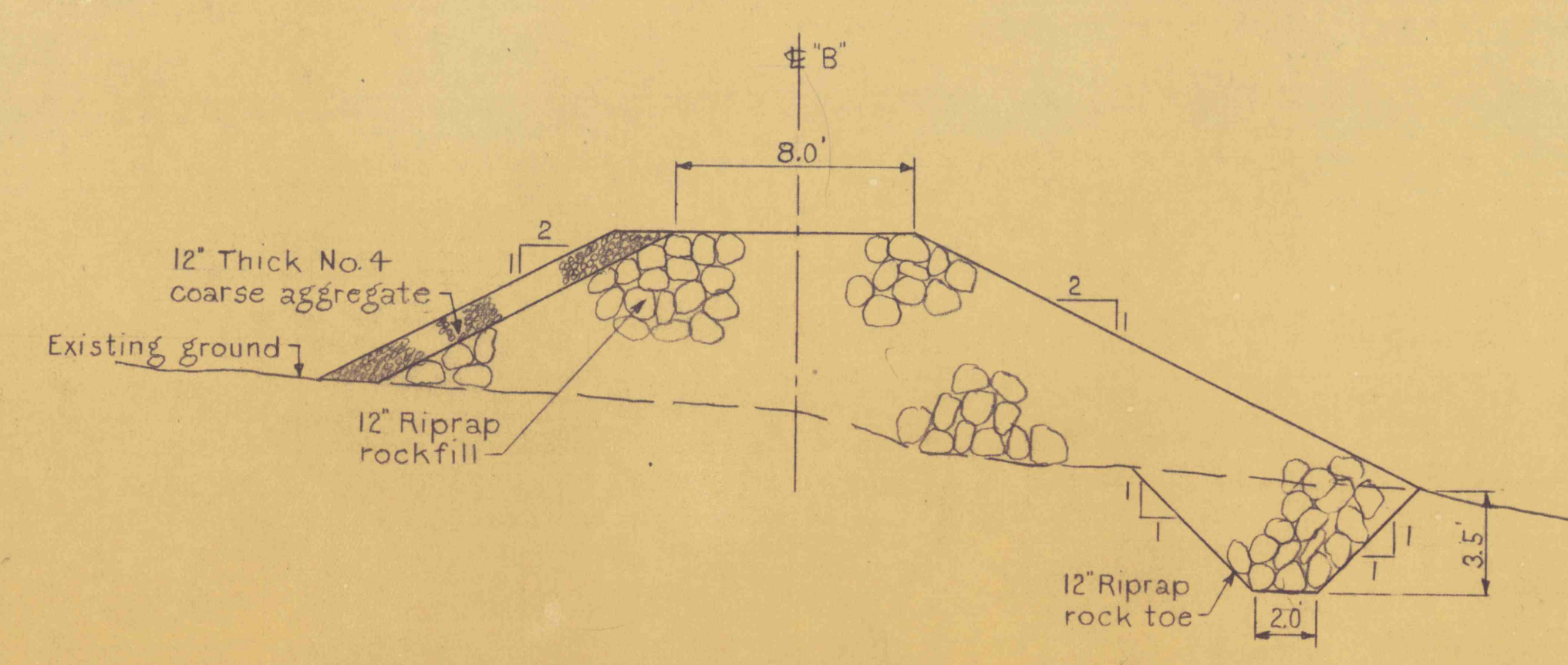
TYPICAL SECTIONS

Scale: 1 in. = 5 ft.



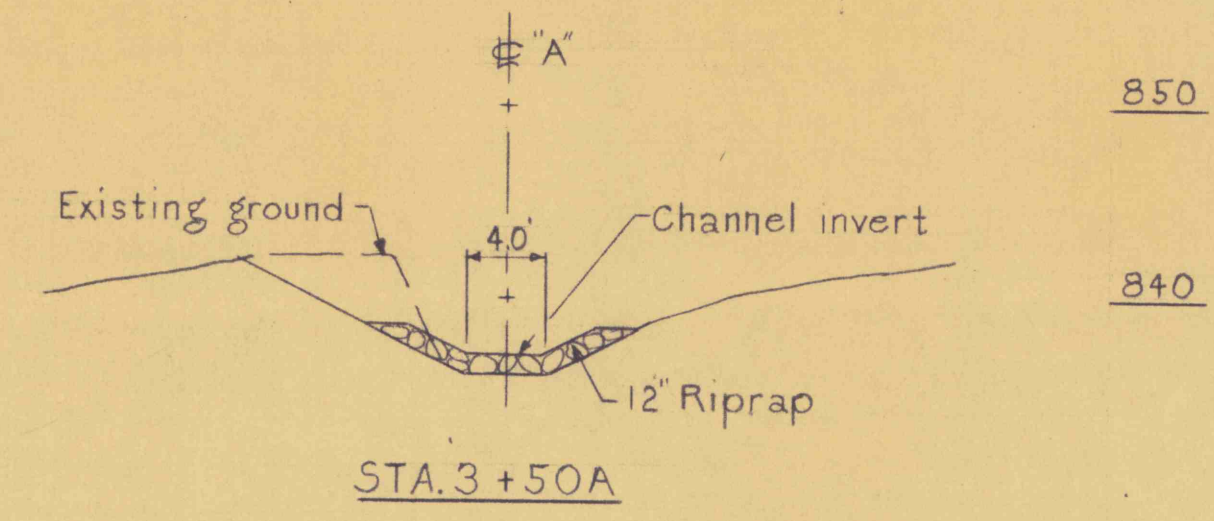
CUTOFF DETAIL

No Scale

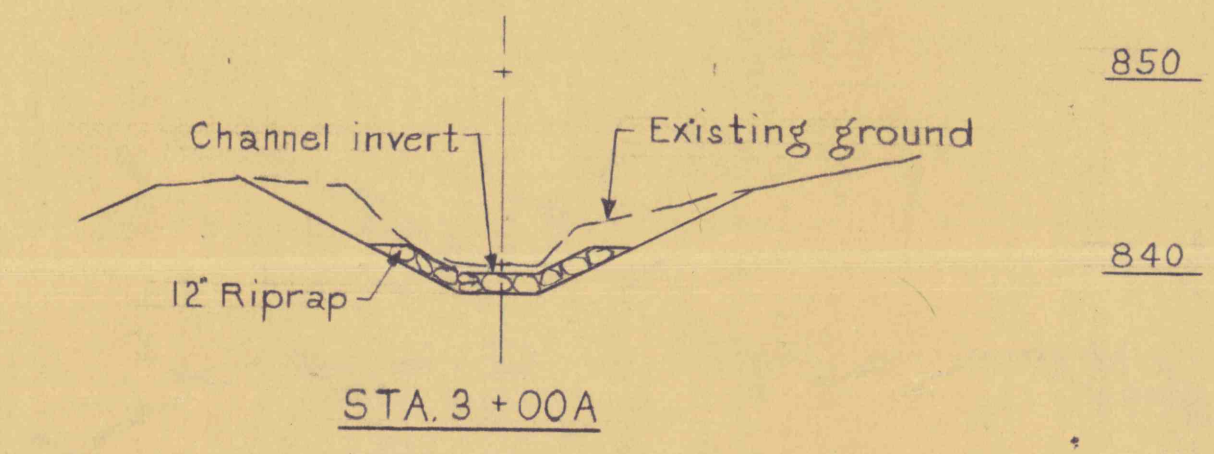


TYPICAL SECTION - ROCKFILL EMBANKMENT

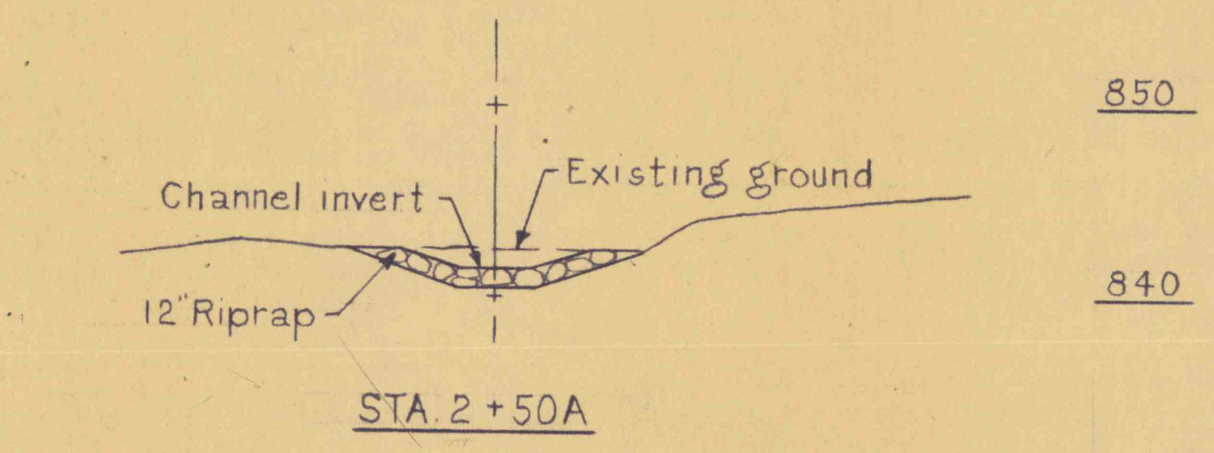
Scale: 1 in. = 5 ft.



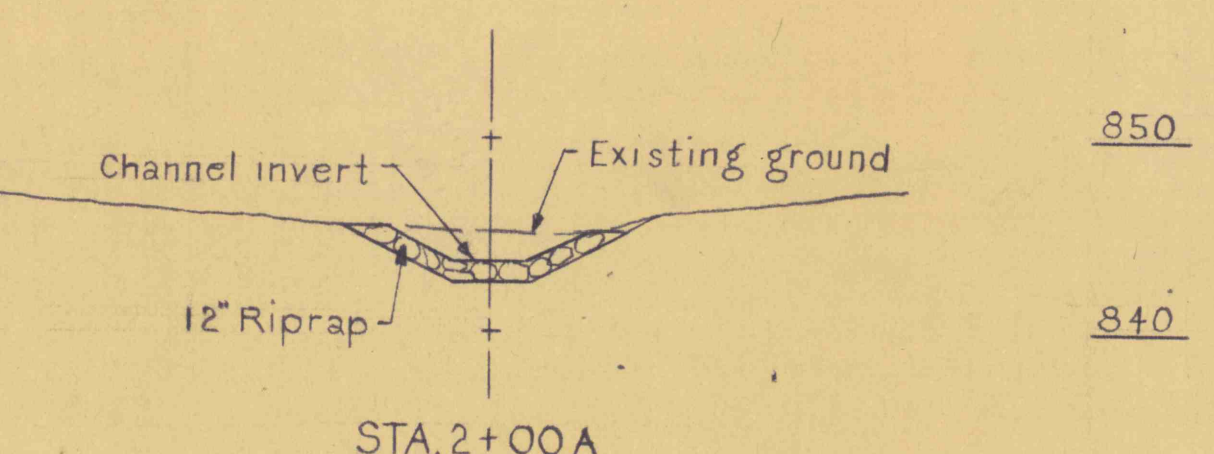
STA. 3+50A



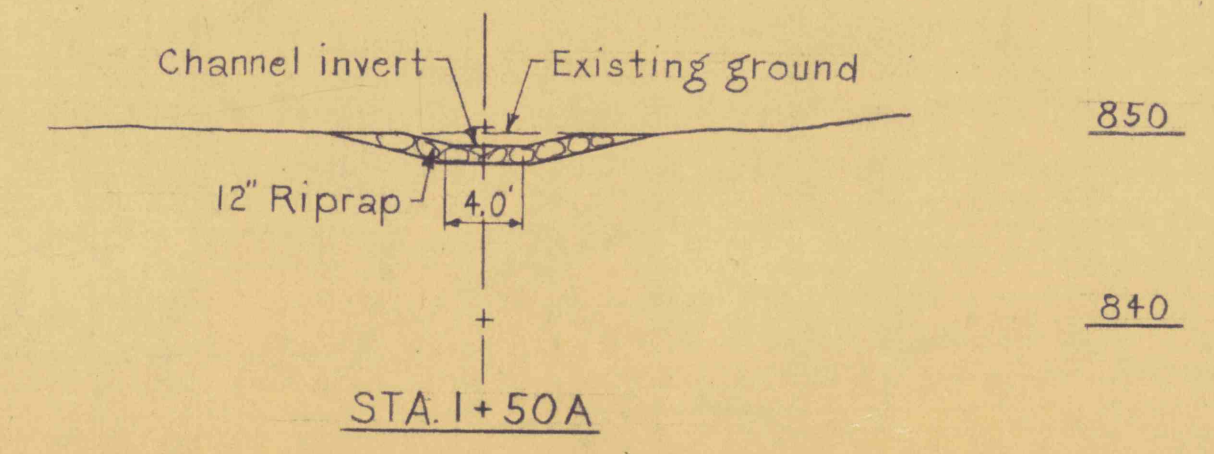
STA. 3+00A



STA. 2+50A



STA. 2+00A



STA. 1+50A

CROSS SECTIONS

Scale: 1 in. = 10 ft.

NOTES:

1. For General Notes, Plan and Profile, see Dwg. No. 1.
2. All cross sections are shown looking downstream.

NO.	DATE	REVISION	APPR.

SUBMITTED			
PROJECT CO-ORDINATOR			
APPROVED			
CHIEF - DIVISION OF MINE RECLAMATION			
APPROVED			
DIRECTOR - BUREAU OF DESIGN			

PRE FINAL

COMMONWEALTH OF PENNSYLVANIA
DEPARTMENT OF ENVIRONMENTAL RESOURCES
OFFICE OF RESOURCES MANAGEMENT

CONTRACT NO. SL 210-3
EXTINGUISHED COAL REFUSE BANK
EROSION CONTROL
FORESTVILLE

CASS TOWNSHIP SCHUYLKILL CO., PA.

CROSS SECTIONS AND DETAILS

DRAWN BY EJA	DATE 3-10-76	DRAWING NO. 2 of 2
CHECKED BY H.V.V.	SCALE As shown	