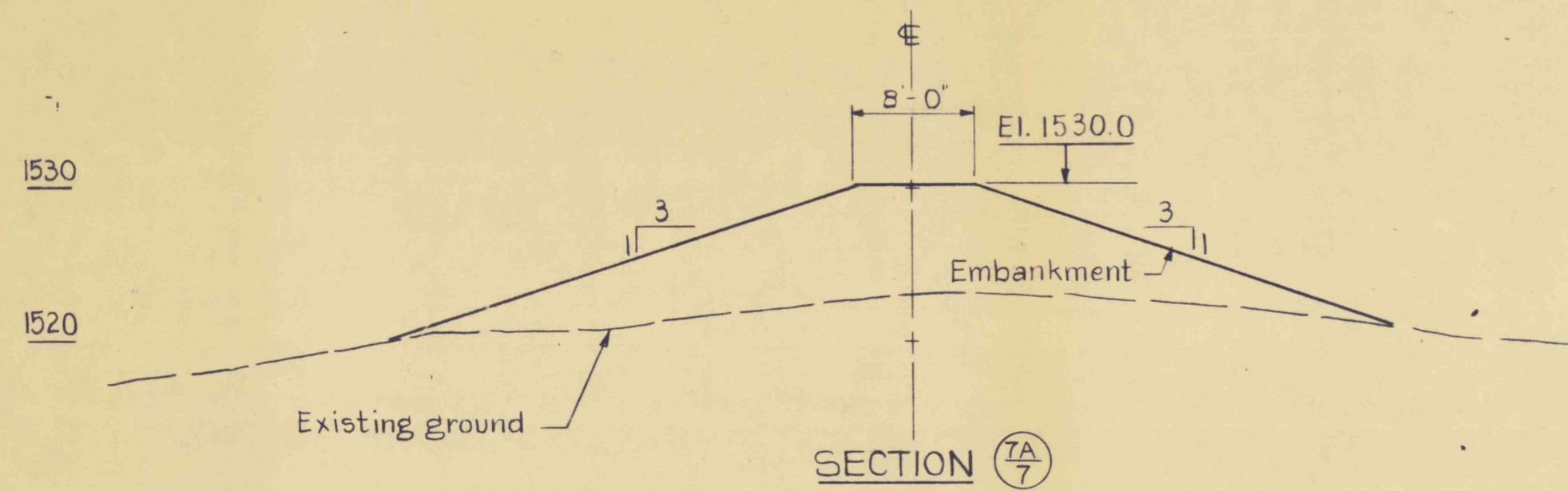
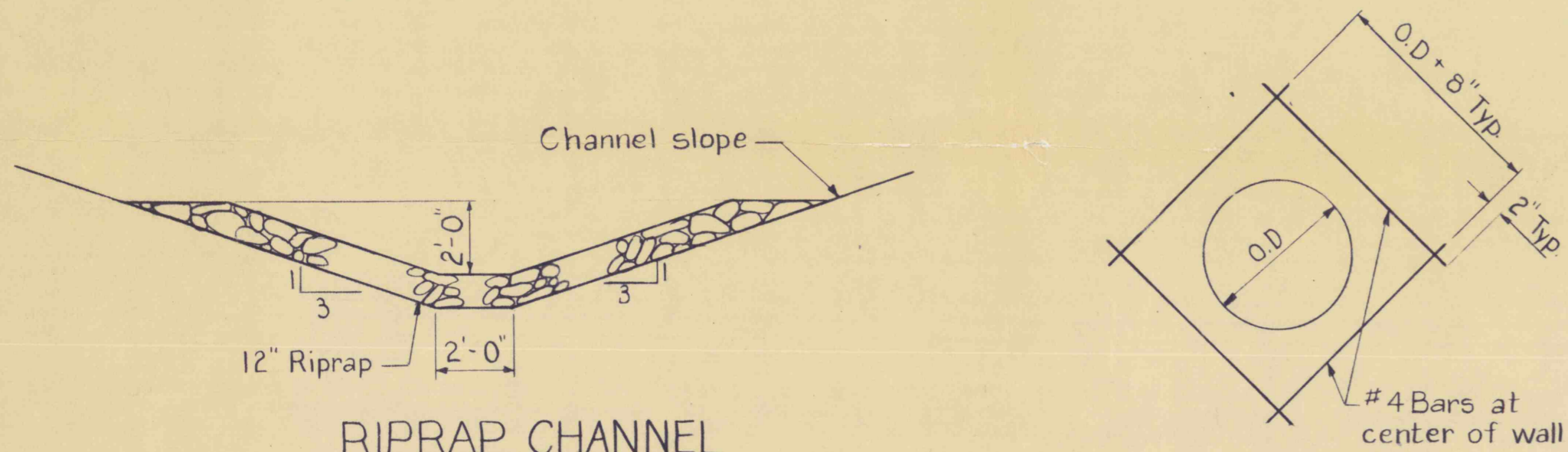


PROFILE

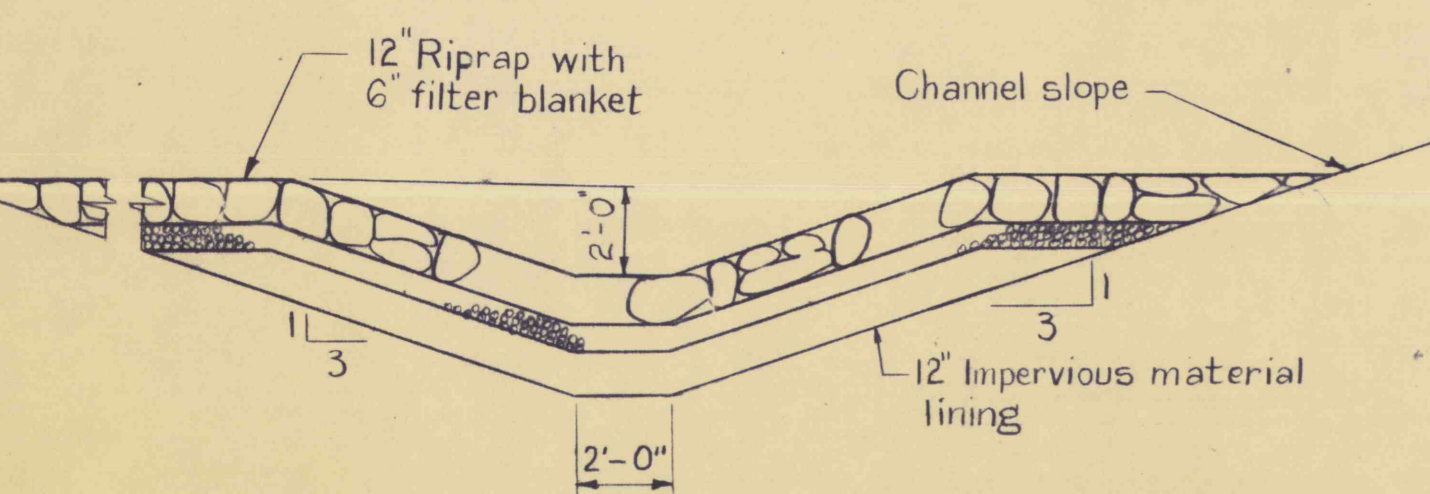


SECTION TA 7

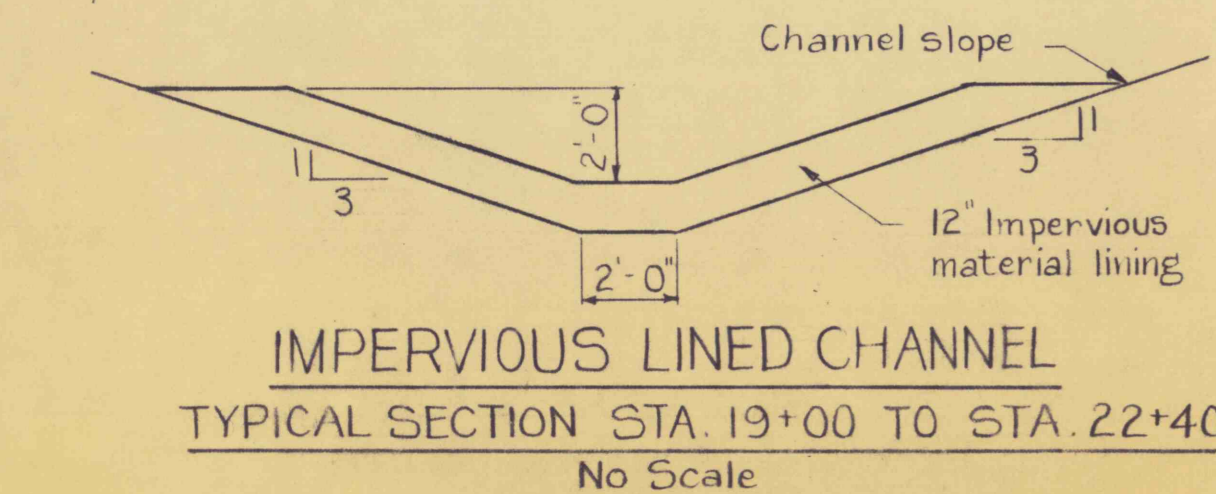
CLOSURE LEVEL
No Scale



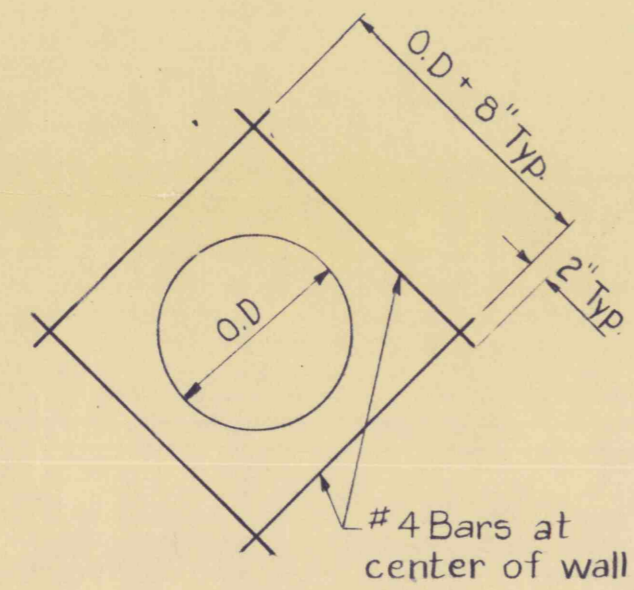
RIPRAP CHANNEL
TYPICAL SECTION STA. 13+00 TO STA. 16+00
(Unless otherwise specified)
No Scale



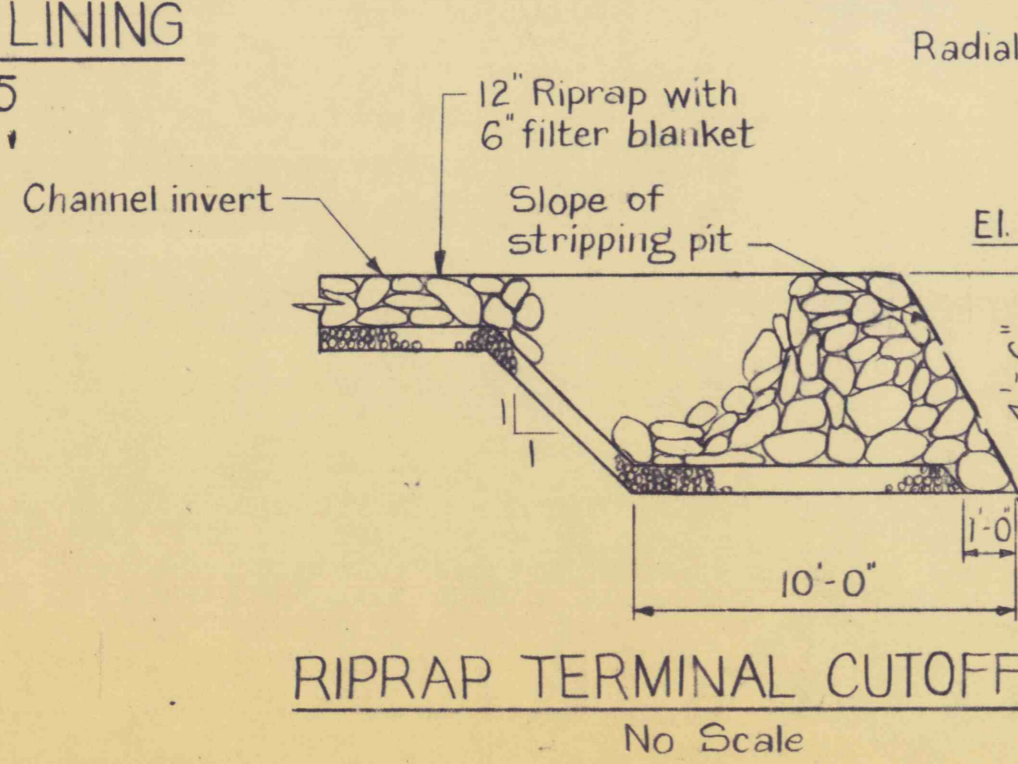
RIPRAP CHANNEL WITH IMPERVIOUS LINING
TYPICAL SECTION STA. 22+40 TO STA. 23+65
(Unless otherwise specified)
No Scale



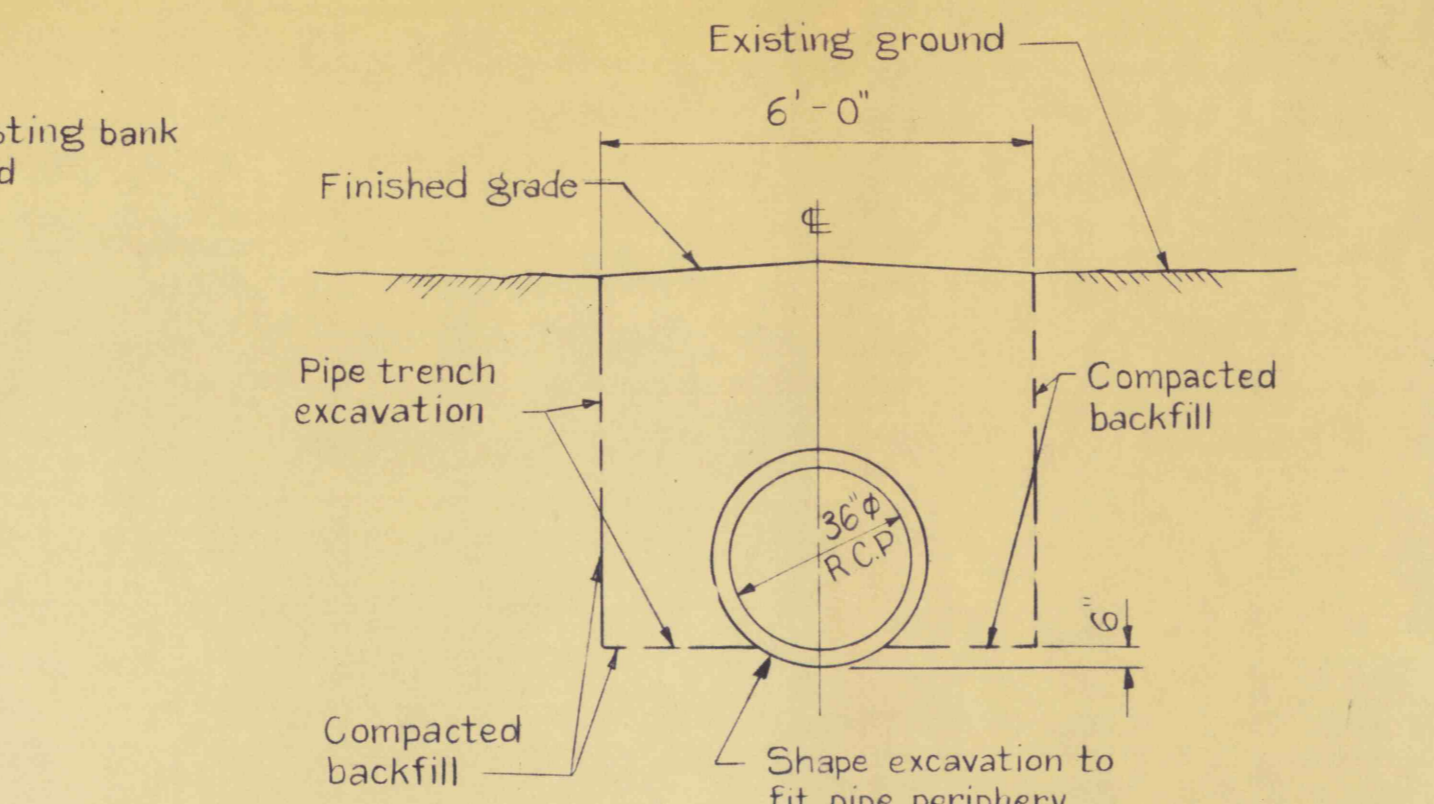
IMPERVIOUS LINED CHANNEL
TYPICAL SECTION STA. 19+00 TO STA. 22+40
No Scale



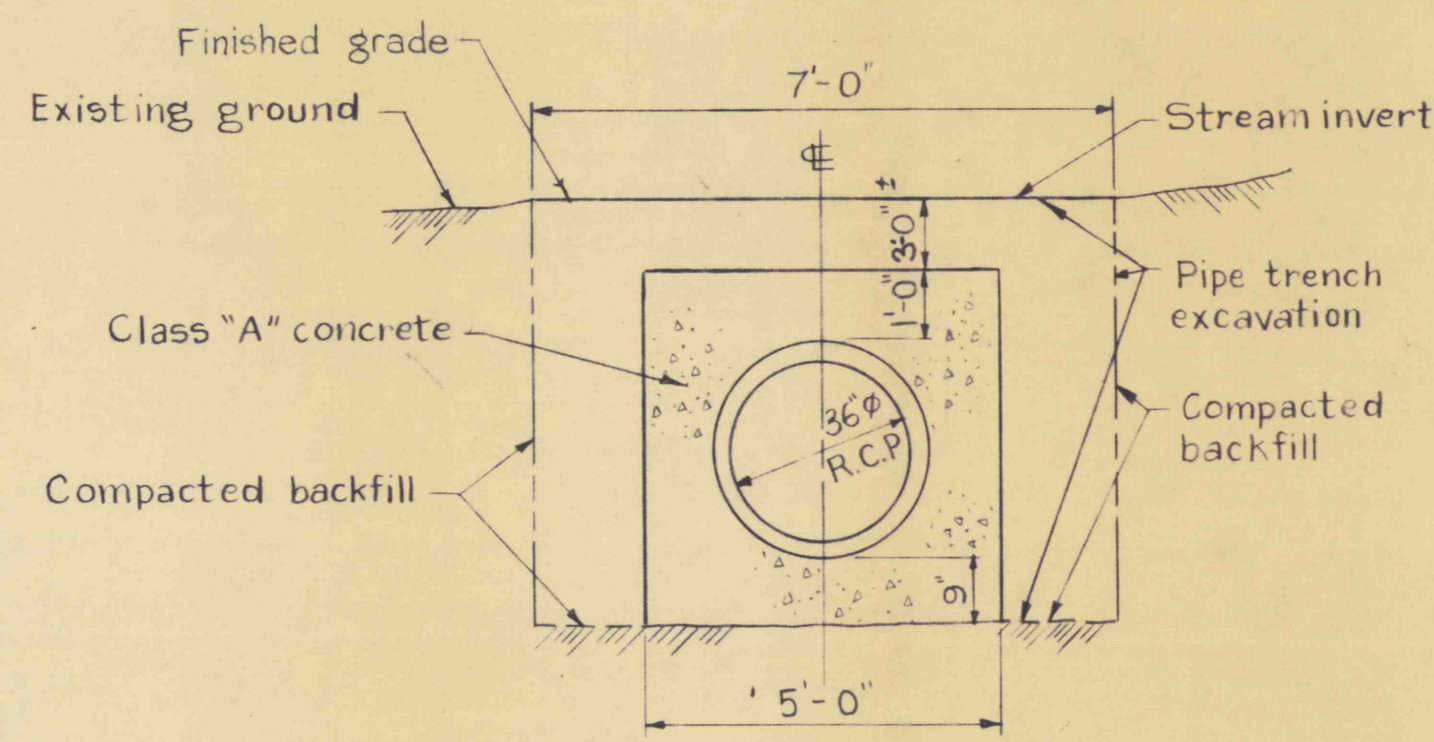
DETAIL
EXTRA REINFORCING
AT PIPE OPENING
No Scale



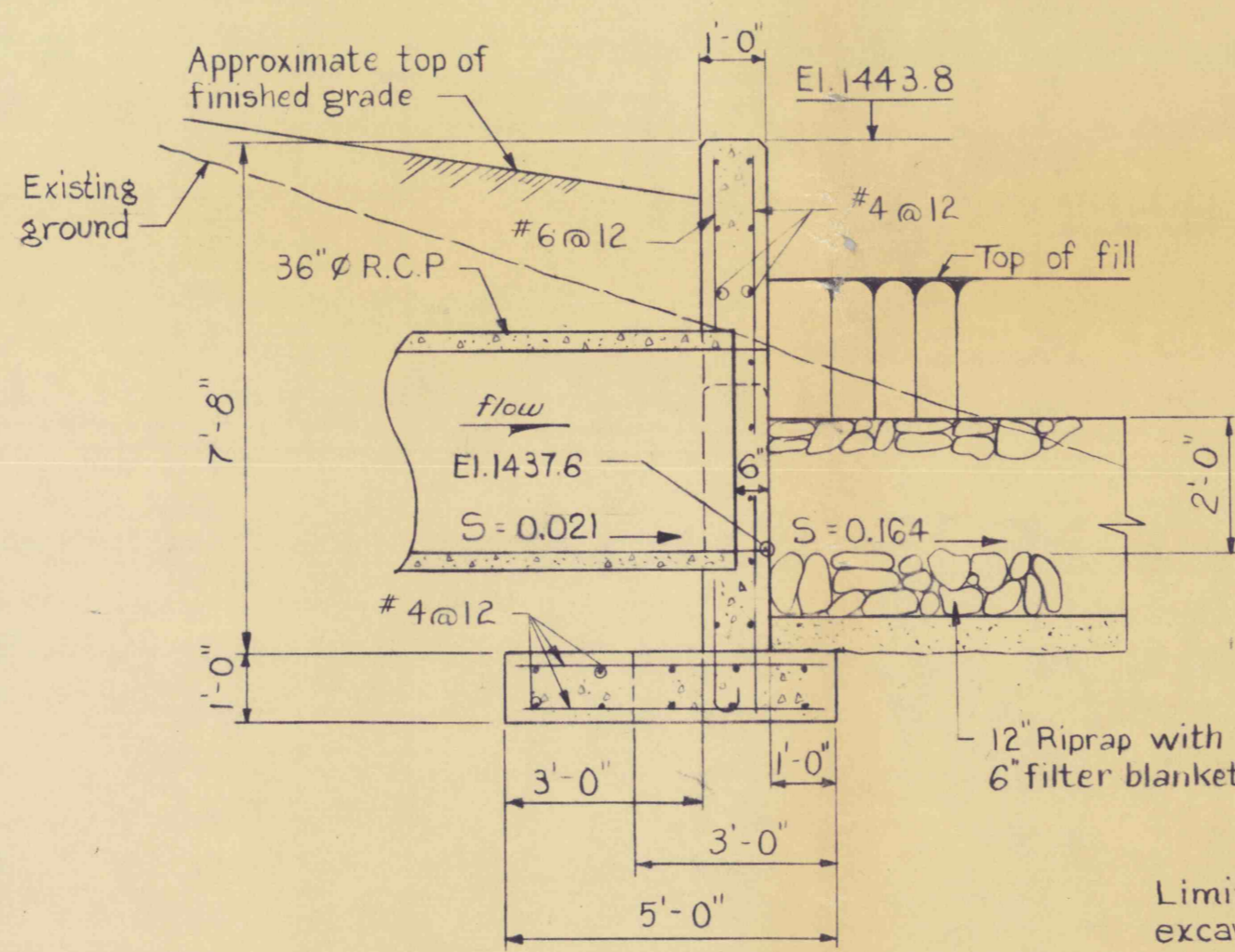
RIPRAP TERMINAL CUTOFF
No Scale



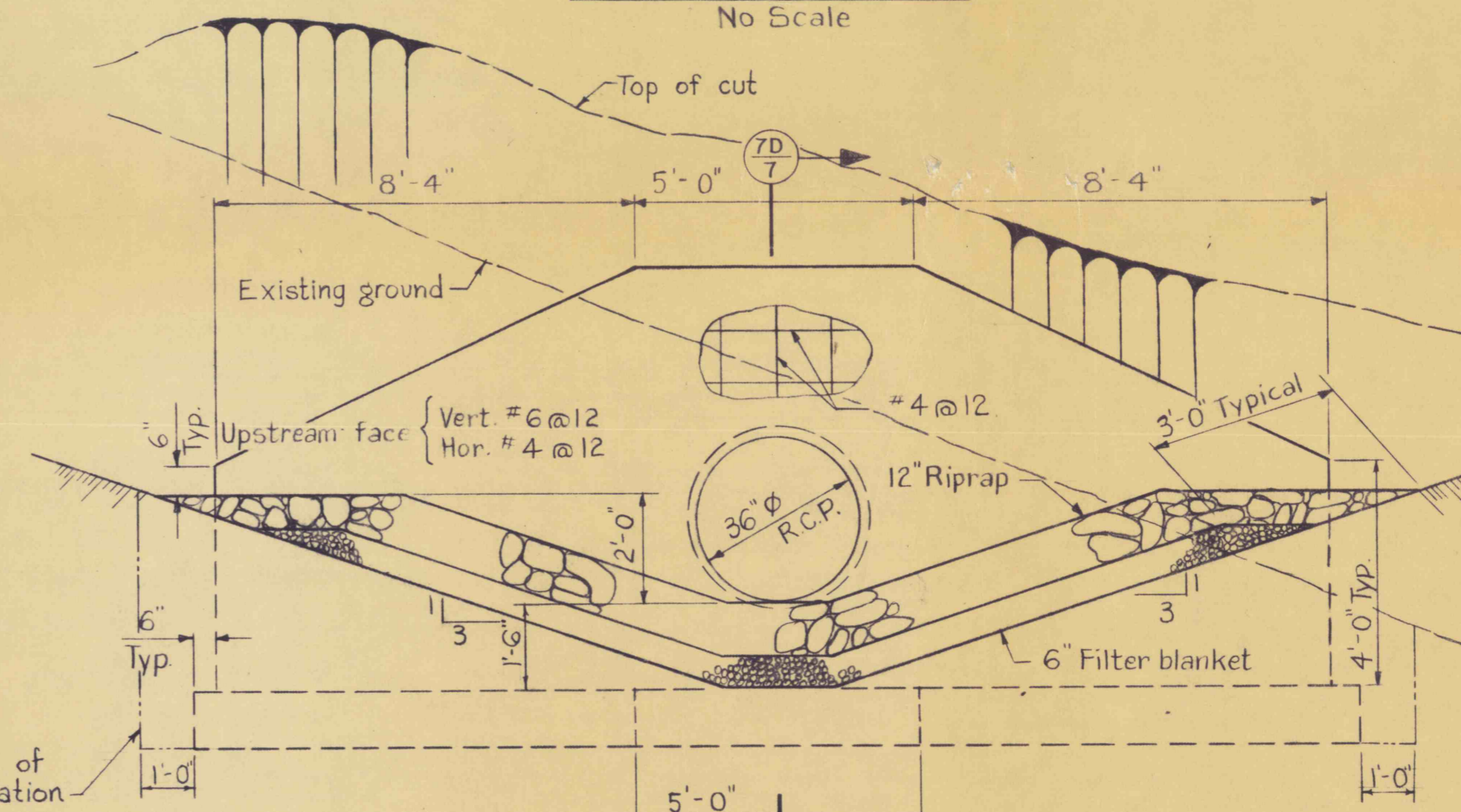
PIPE BEDDING DETAIL
No Scale



PIPE CASING DETAIL
No Scale

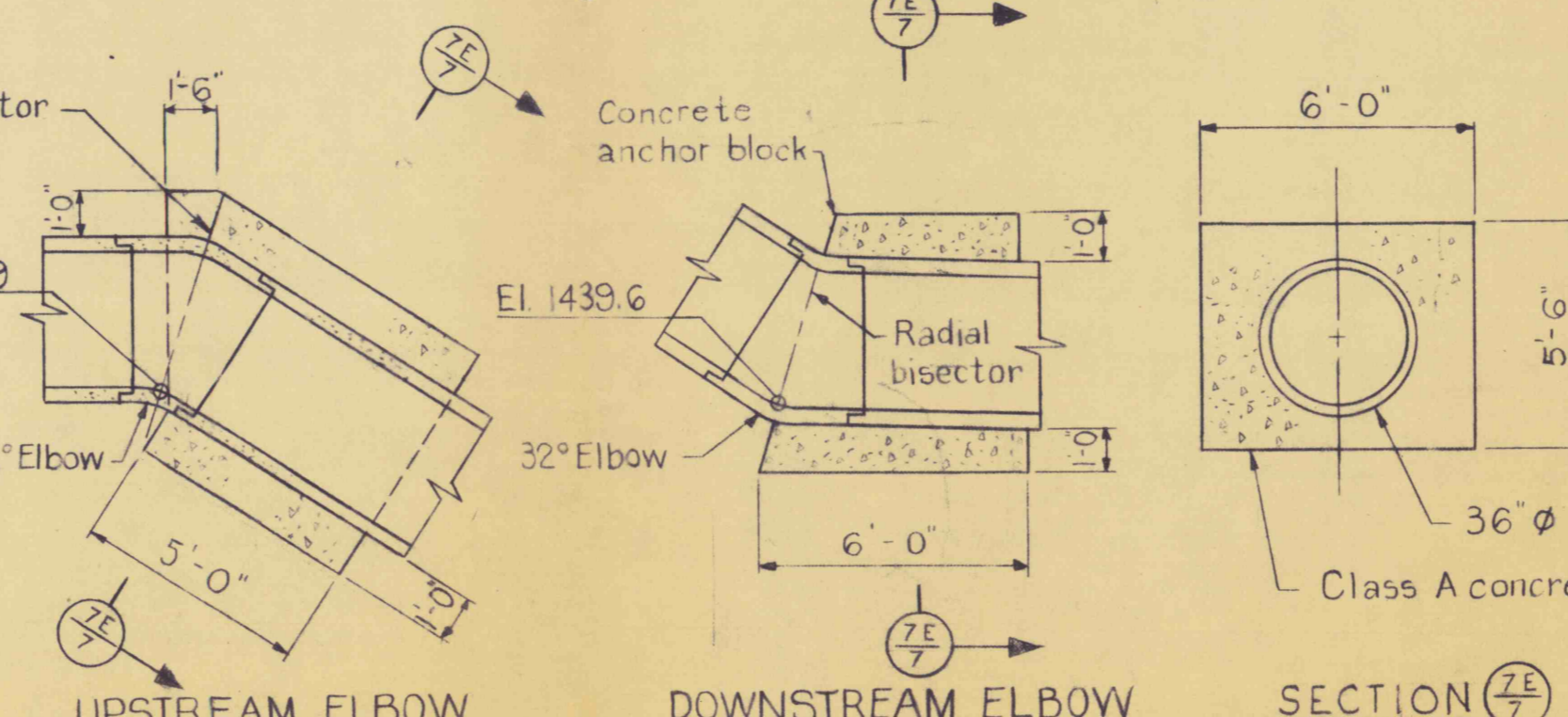


SECTION TD 7
No Scale

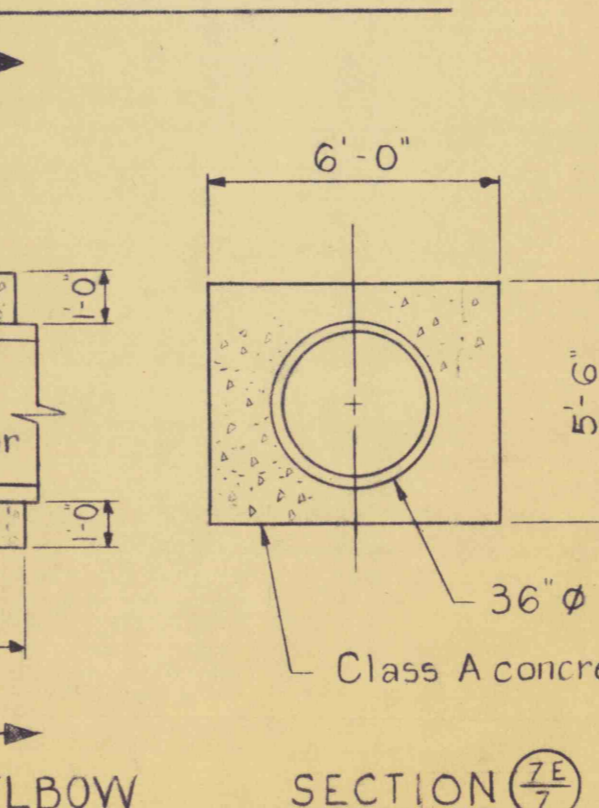


ELEVATION
No Scale

OUTLET STRUCTURE



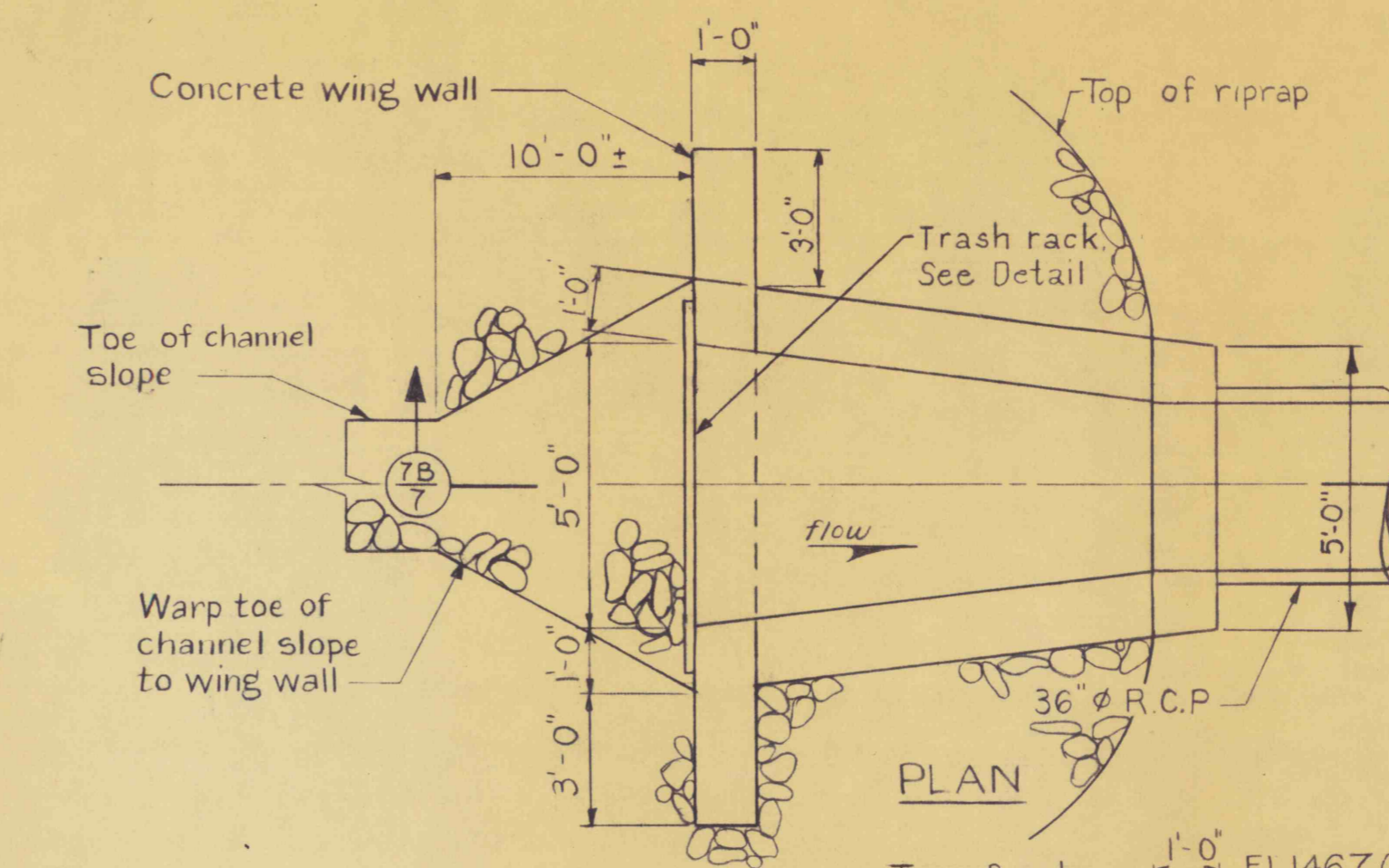
PIPE ANCHOR BLOCK DETAILS
Scale: 1/4" = 1'-0"



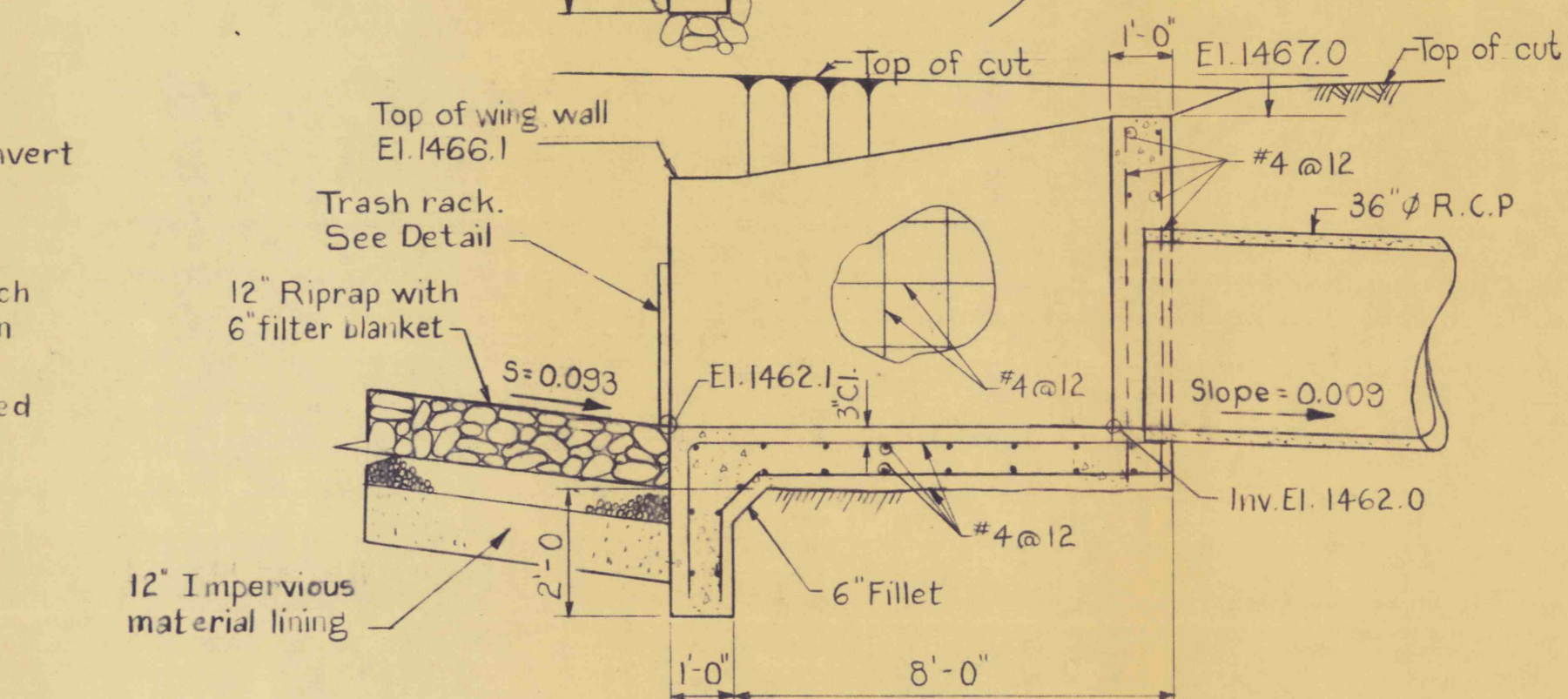
SECTION TE 7

NOTES:

1. ALL concrete is Class "A" concrete.
2. Chamfer all exposed edges, horizontal and vertical joints in walls 3/4" unless otherwise noted.
3. Steel reinforcement is 2" clear (edge of steel to surface of concrete) unless otherwise noted.
4. Profile of closure levee is shown looking downstream of present AMD flow.
5. All surfaces of concrete structures and reinforced concrete pipe shall be coated with asphaltic cement.

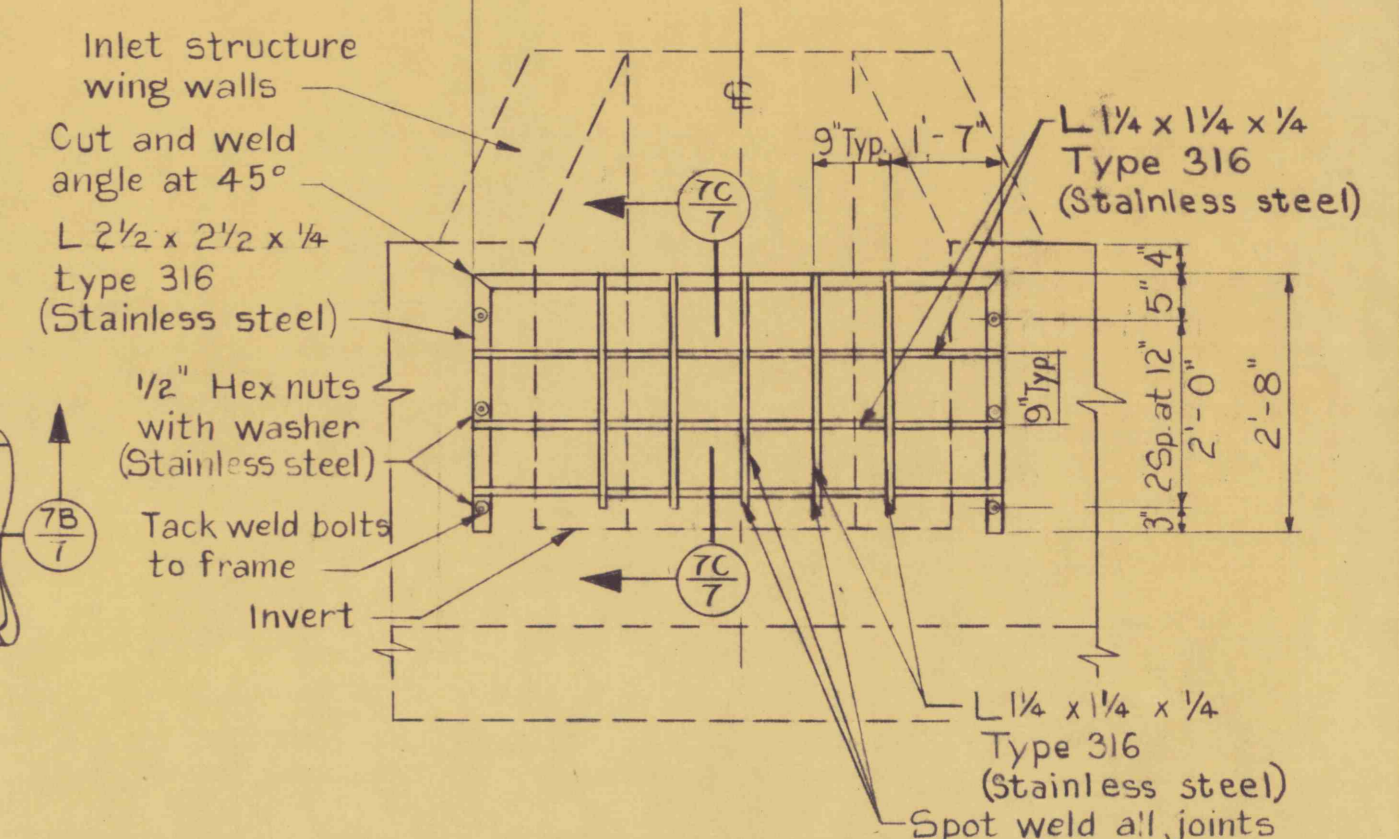


PLAN

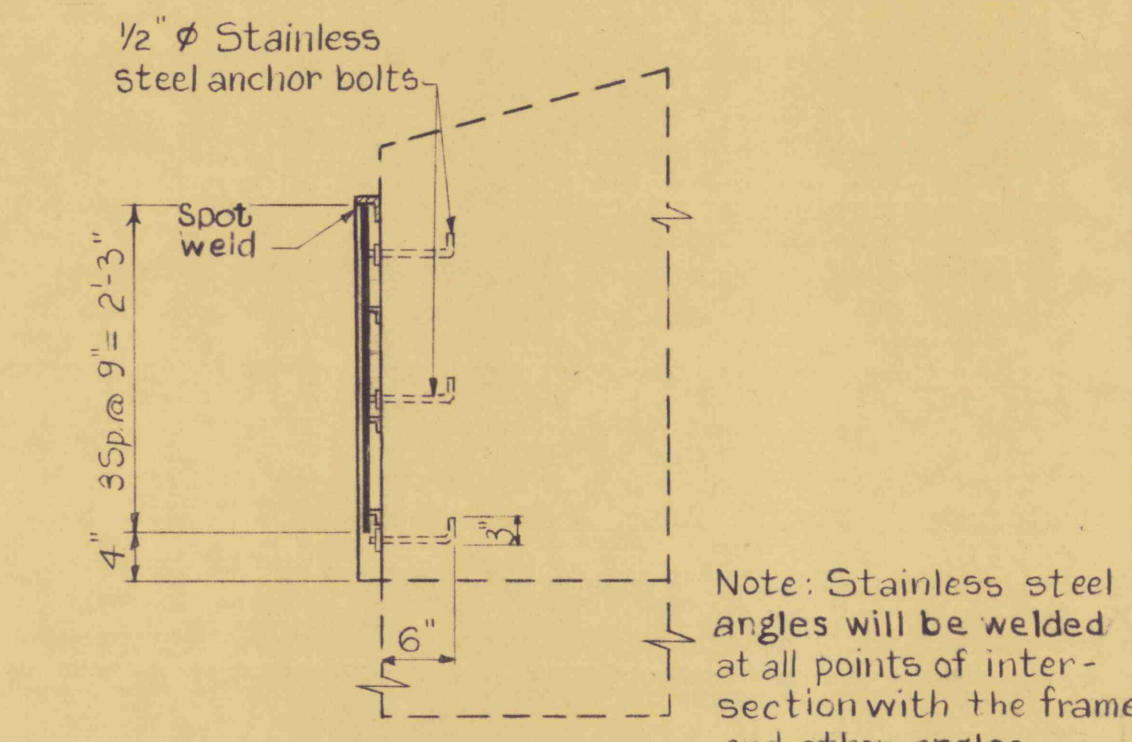


SECTION TB 7

INLET STRUCTURE
No Scale



ELEVATION - TRASH RACK

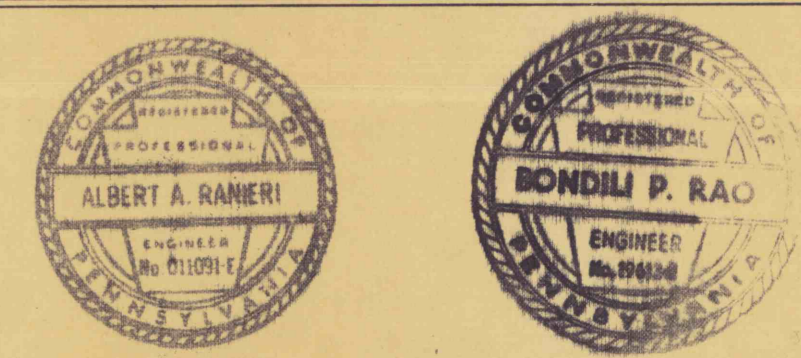


SECTION TC 7

TRASH RACK DETAILS
No Scale

NO.	DATE	REVISION	APPR.

SUBMITTED: *[Signature]*
PROJECT CO-ORDINATOR
APPROVED: *[Signature]*
CHIEF - DIVISION OF MINE RECLAMATION
APPROVED: *[Signature]*
DIRECTOR - BUREAU OF DESIGN



COMMONWEALTH OF PENNSYLVANIA
DEPARTMENT OF ENVIRONMENTAL RESOURCES
OFFICE OF RESOURCES MANAGEMENT

PROJECT NO. FE54:3-101.1

DIVERSION OF
ACID MINE DRAINAGE
CRYSTAL RUN WATERSHED

FOSTER TWP. SCHUYLKILL CO., PA.

DETAILS