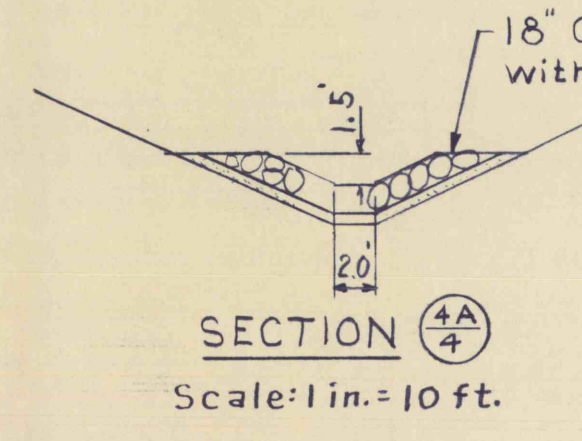


TEMPORARY BENCH MARK		
NO.	ELEVATION	LOCATION & DESCRIPTION
1	1294.75	Hole in rock 6ft. East of top left bank of Kehley Run Channel

NOTES:
1. For General Notes; see Dwg. No. 2

REFERENCES:
1. Cross Sections --- Dwg. No. 5 & 6



NO.	DATE	REVISION	APPR.
SUBMITTED	<i>H. Rae</i>		
PROJECT CO-ORDINATOR			
APPROVED	<i>W. A. Ranieri</i>		
CHIEF - DIVISION OF MINE RECLAMATION			
APPROVED	<i>D. J. ...</i>		
DIRECTOR - BUREAU OF DESIGN			

COMMONWEALTH OF PENNSYLVANIA
DEPARTMENT OF ENVIRONMENTAL RESOURCES
OFFICE OF RESOURCES MANAGEMENT

CONTRACT NO. SL 309-2-10LI

KEHLEY RUN
MINE FIRE BANK STABILIZATION
WEST MAHANOY TWP. SCHUYLKILL CO., PA.

PLAN AND PROFILES

DRAWN <i>H. Rae</i>	DATE 1-6-80	DRAWING NO. 4 of 6
CHECKED <i>Z. R. M.</i>	SCALE As shown	