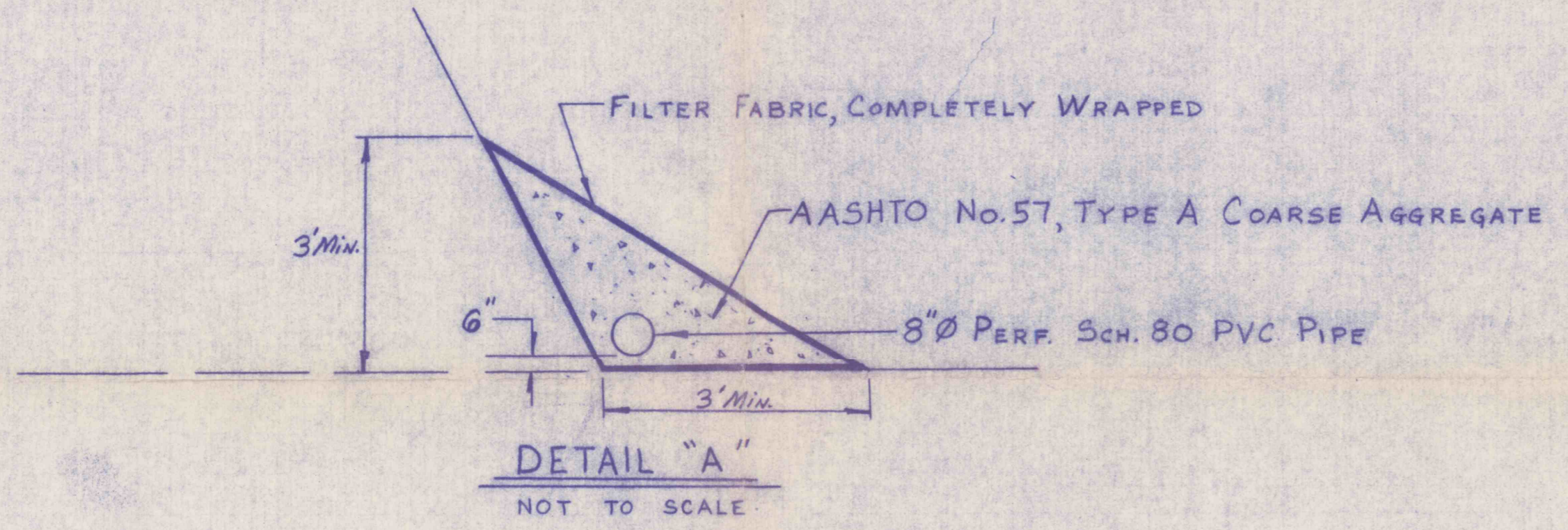
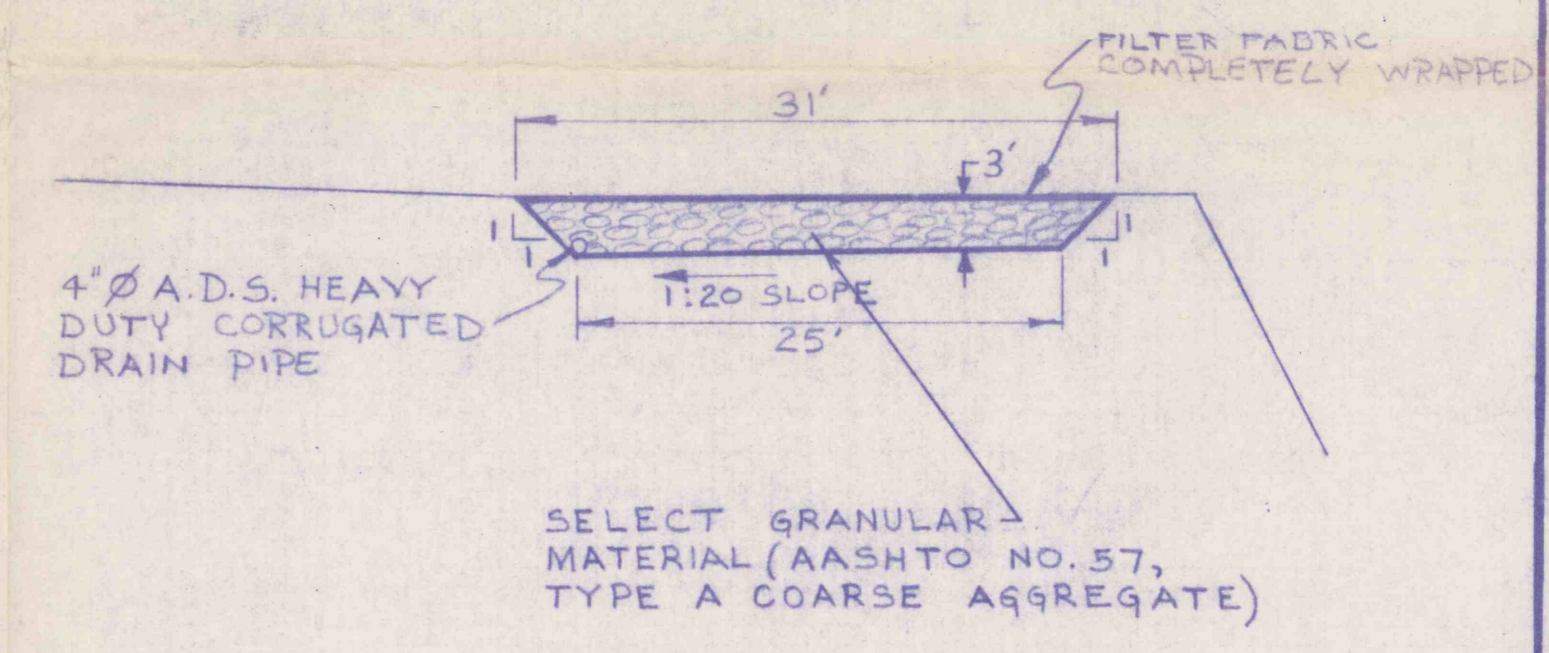


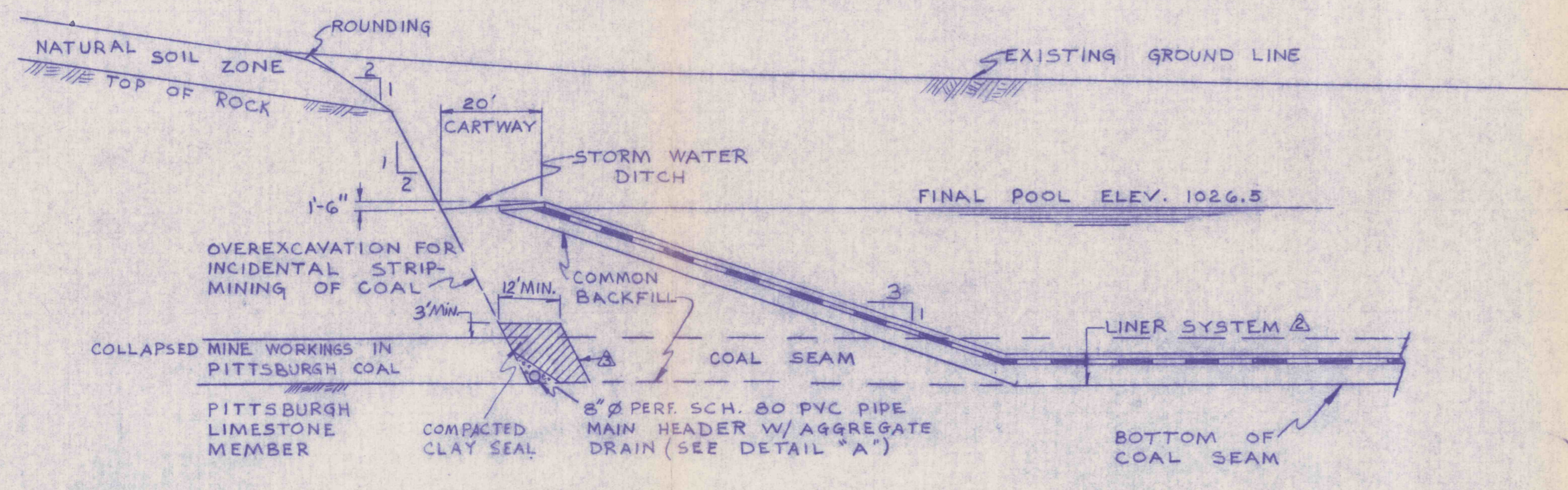
TYPICAL EMBANKMENT SECTION
SCALE: 1" = 20'



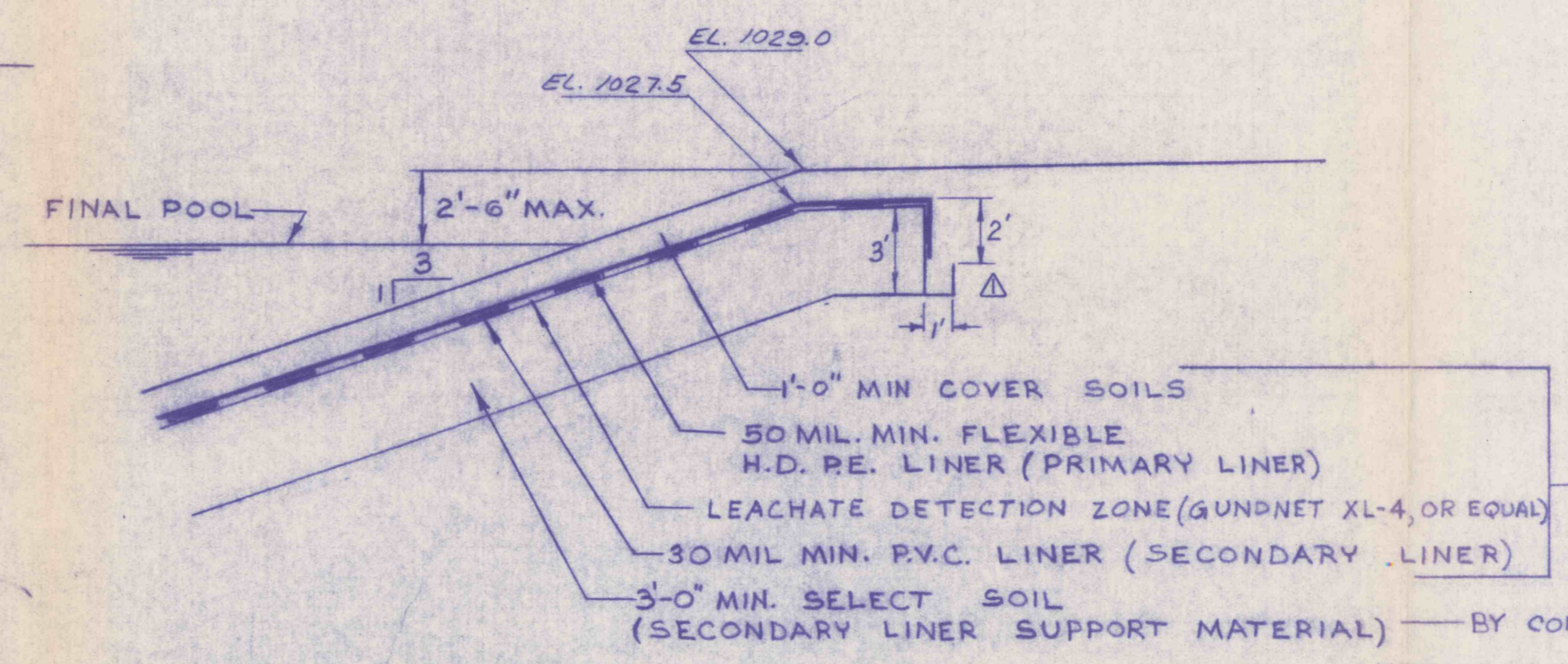
DETAIL "A"
NOT TO SCALE



TYPICAL BLANKET DRAIN DETAIL
SCALE: 1" = 10'



TYPICAL SECTION IN CUT
SCALE: 1" = 20'



TYPICAL LINER SYSTEM DETAIL
SCALE: 1" = 5'

Revision No.	Description	Date
BY OTHERS	REVISOR MINE WORKINGS DRAIN & ADDED DETAIL "A"	2-18-87
BY OTHERS	REPLACED AGGREGATE IN LEACHATE DETECTION ZONE WITH DRAINAGE NET	2-3-87
BY OTHERS	LINER ANCHORAGE DETAILS	10-21-85
BY CONTRACTOR		

CHEMICAL LANDFILL NO. 6
MILL SERVICE, INC. YUKON, PA.

Revision No.	Date	Scale	Drawn By	Checked By	Job No.	Sheet No.
BY OTHERS	SEPT, 1985	AS SHOWN	J.P.B.	W.L.	8414	DL OF 2

Wally J. Reference
2-18-87

GeoMechanics, inc
Consulting Engineers / Scientist
800 Munir Drive
Elizabeth, Pennsylvania
412 / 379-6300-462-8939