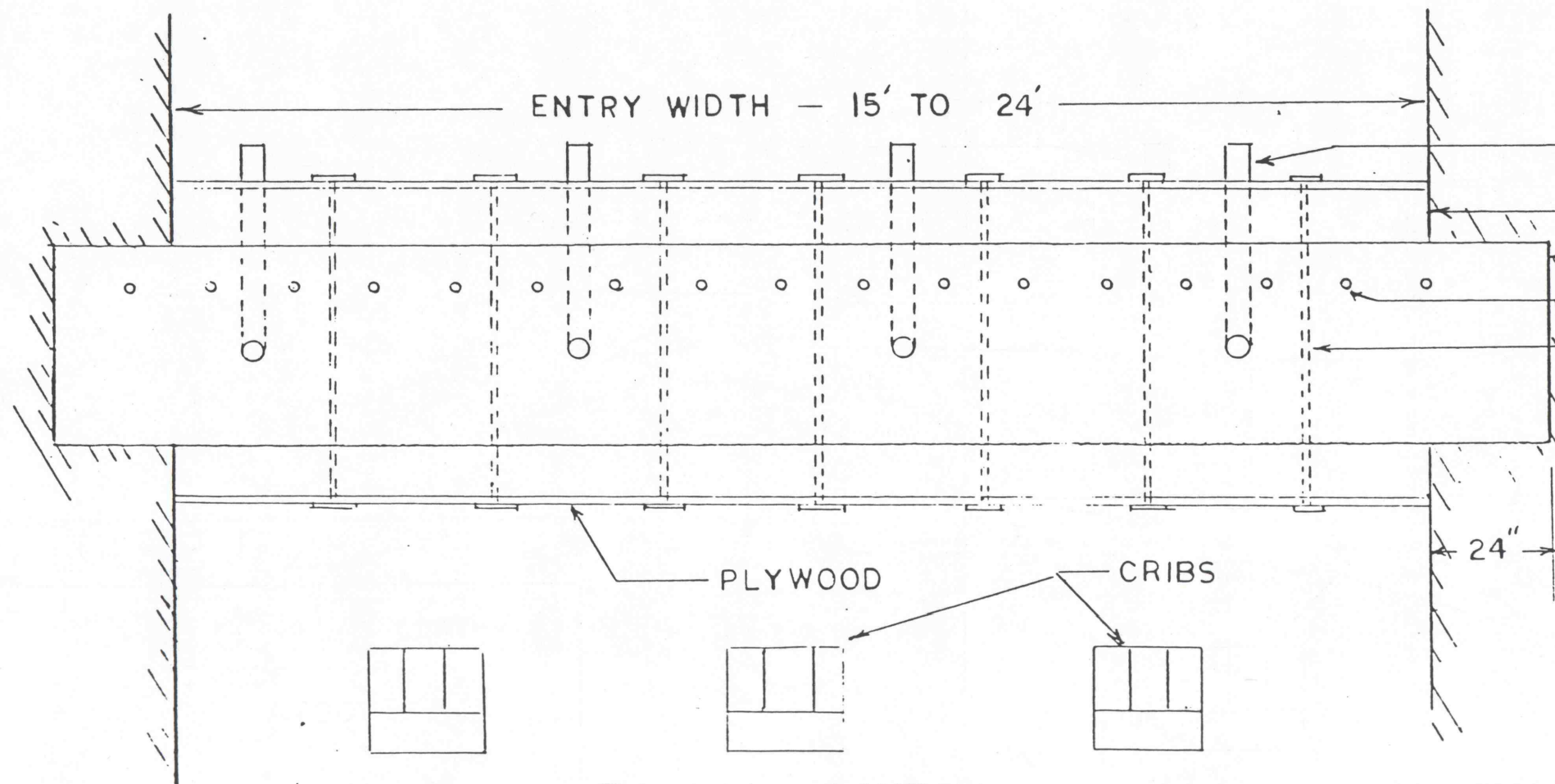
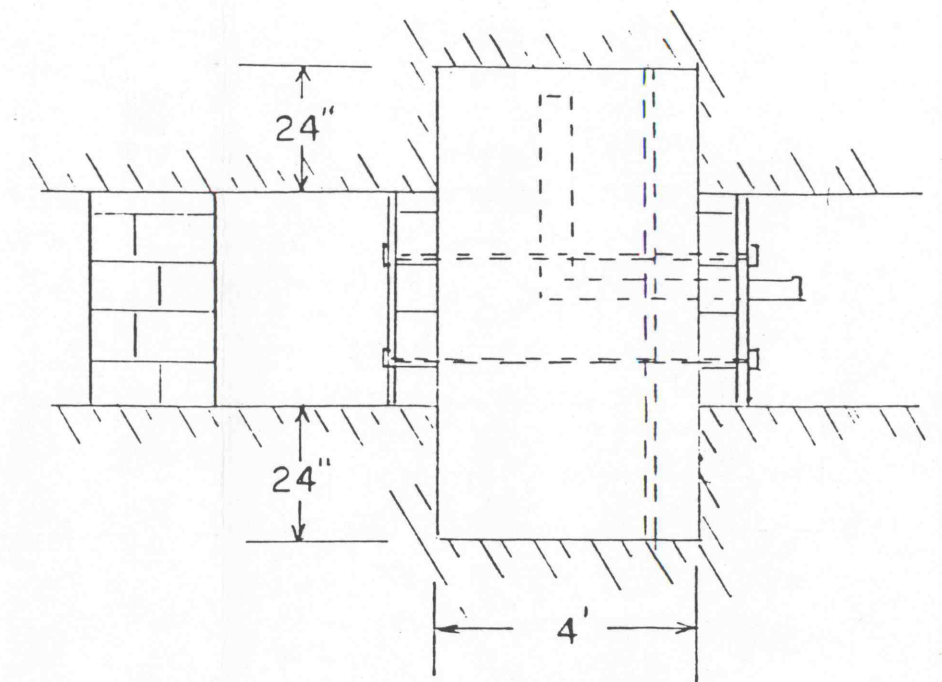
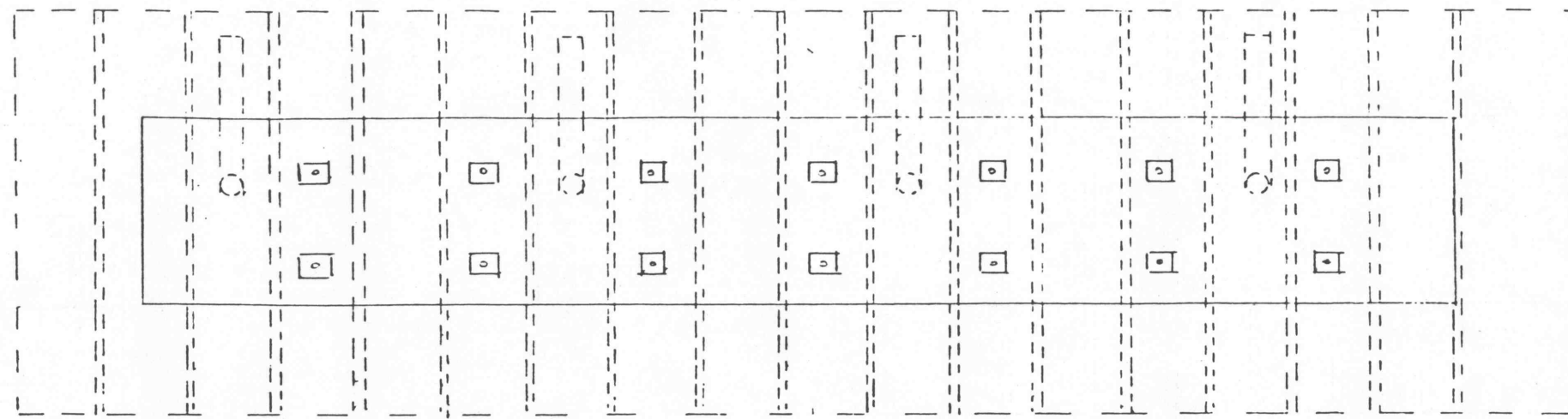


HYDRAULIC SEAL



PLAN VIEW

- 4" PIPE
- CONCRETE BLOCK
- REINFORCED CONCRETE
- #6 REINFORCING ROD
- TIE RODS

RECEIVED

JUL 29 1986

UNIONTOWN OFFICE
DEEP MINE SAFETY

MINE SEAL

T & R COAL
RD #1 BOX 206C
SHELOCTA, PA.