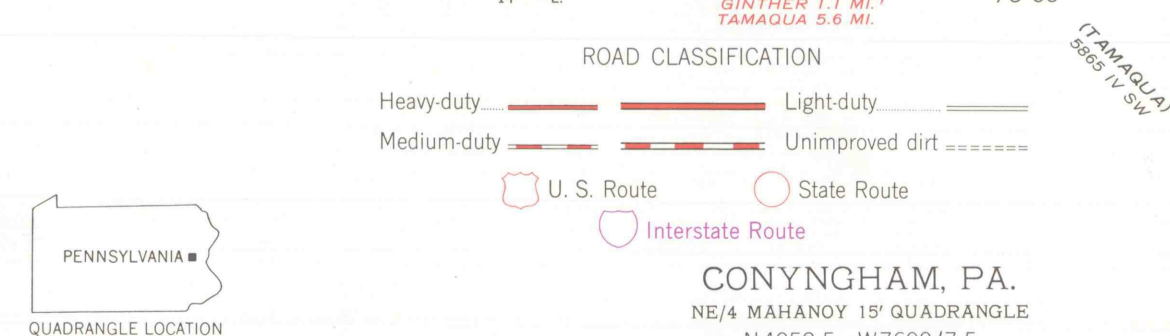
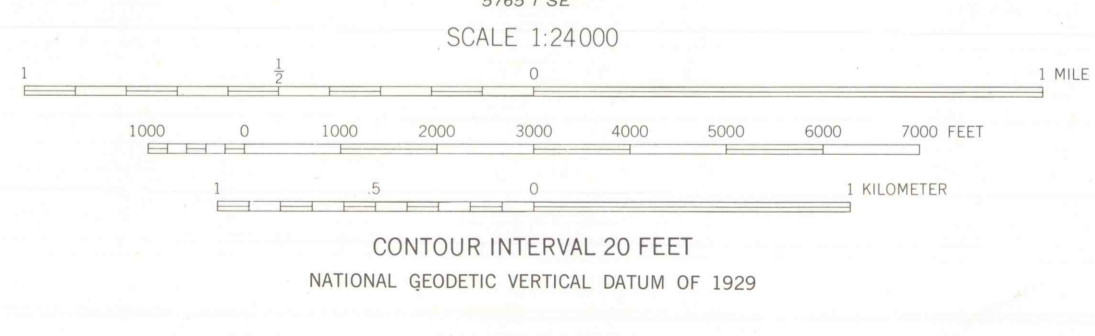
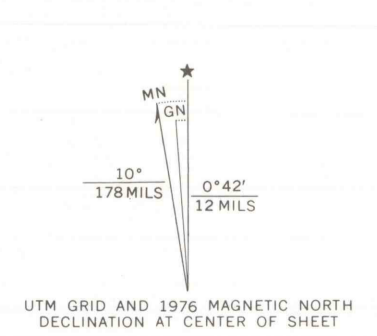




Mapped, edited, and published by the Geological Survey
Control by USGS, USC&GS, and Pennsylvania Department of Highways
Topography from aerial photographs by multiplex methods
Aerial photographs taken 1942. Field check 1947. Revised 1955
Polyconic projection. 1927 North American datum
10,000-foot grids based on Pennsylvania coordinate system, north and south zones
Red tint indicates area in which only landmark buildings are shown
1,000-meter Universal Transverse Mercator grid ticks, zone 18, shown in blue
Revisions shown in purple compiled in cooperation with State of Pennsylvania agencies from aerial photographs taken 1969 and 1976. This information not field checked



THIS MAP COMPLIES WITH NATIONAL MAP ACCURACY STANDARDS
FOR SALE BY U.S. GEOLOGICAL SURVEY, RESTON, VIRGINIA 22092
A FOLDER DESCRIBING TOPOGRAPHIC MAPS AND SYMBOLS IS AVAILABLE ON REQUEST

347.4cc NaI X 1

CONYNGHAM, PA.
NE/4 MAHANOY 15' QUADRANGLE
N4052.5-W7600/7.5
1955
PHOTOREVISED 1969 AND 1976
AMS 5765 1 NE-SERIES V831