

SURFICIAL GEOLOGY OF THE KIRKWOOD 7.5' QUADRANGLE, PA

Open-File Report 96-12

KIRKWOOD QUADRANGLE
PENNSYLVANIA
7.5 MINUTE SERIES (TOPOGRAPHIC)

by W. D. Sevon
1996

UNITED STATES
DEPARTMENT OF THE INTERIOR
GEOLOGICAL SURVEY

EXPLANATION

AF = Artificial Fill
Compacted to semi-compacted material used for fill. Composed of locally derived bedrock or surficial material.

A = Alluvium
Material underlies narrow to broad, flat-surfaced floodplains of perennial streams. Comprises stratified sand, silt, and clay in upper part; same plus gravel in lower part. Generally less than 10 feet thick.

C = Colluvium
Colluvium is unsorted and unstratified to crudely stratified debris derived from underlying bedrock. Comprises fragments set in finer-grained matrix. Play fragments in schist bedrock areas (RC). Mapped where greater than 6 feet thick.

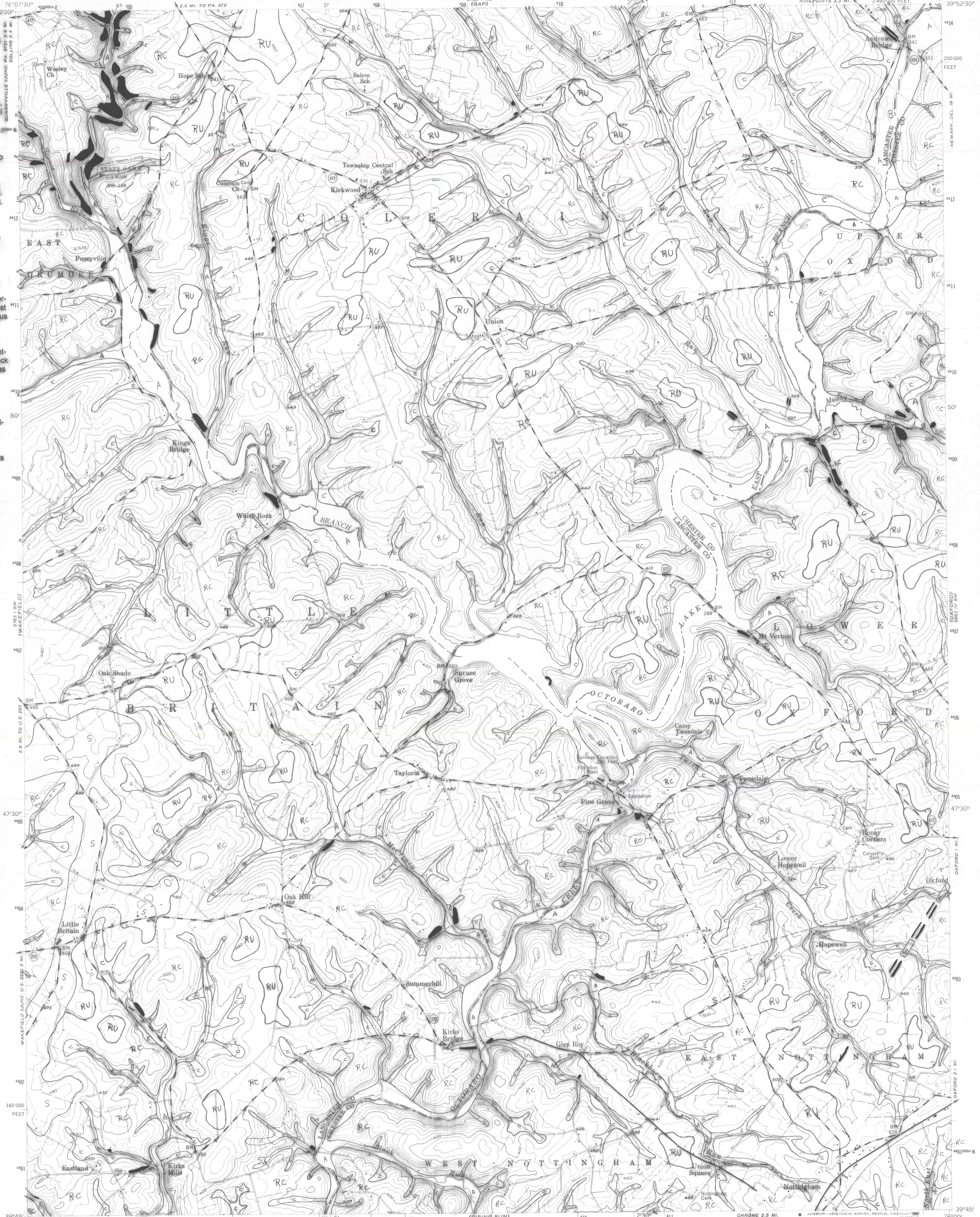
AC = Alluvium and colluvium undivided
Alluvium and colluvium are mapped together where the valley in which they occur is too narrow to map the units separately at 1:24,000 scale.

RC = Schist bedrock and colluvium undivided
Surfaces with low to steep slopes underlain by unweathered or weathered schist bedrock and thin (<6 feet), discontinuous deposits of colluvium.

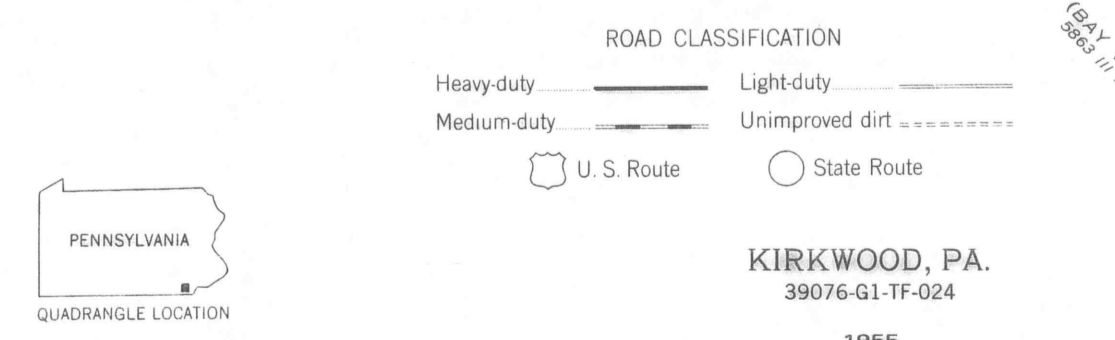
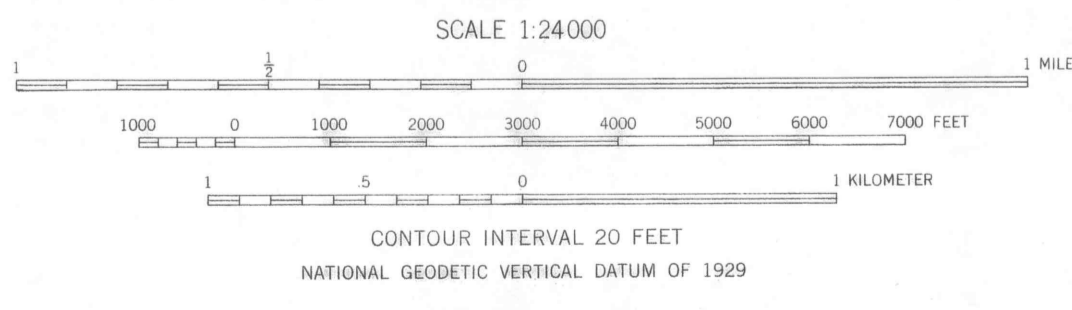
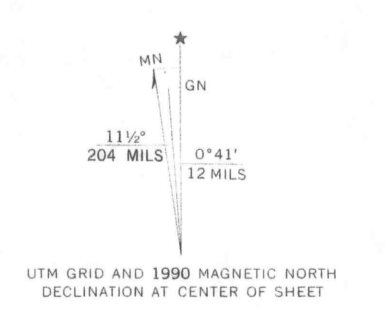
S = Saprolite
Upland surface underlain by isovolumetrically weathered, untransported bedrock that retains its original character but has lost up to half its original bulk density.

RU = Rock upland
Nearly flat upland surface underlain usually by weathered schist bedrock, sometimes by unweathered schist bedrock. Little or no colluvium is present.

● = Outcrop
Areas with continuous or discontinuous bedrock outcrop.



Mapped, edited, and published by the Geological Survey
Control by USGS, USCE, and USSCS
Topography by photogrammetric methods from aerial photographs taken 1952. Field checked 1955
Polyconic projection. 1927 North American Datum
10,000-foot grid ticks based on Pennsylvania coordinate system, south zone
1000-meter Universal Transverse Mercator grid ticks, zone 18, shown in blue
To place on the predicted North American Datum 1983 move the projection lines 6 meters south and 29 meters west as shown by dashed corner ticks
Fine red dashed lines indicate selected fence and field lines where generally visible on aerial photographs. This information is un-checked
There may be private inholdings within the boundaries of the National or State reservations shown on this map



THIS MAP COMPLIES WITH NATIONAL MAP ACCURACY STANDARDS
FOR SALE BY U.S. GEOLOGICAL SURVEY
DENVER, COLORADO 80225 OR RESTON, VIRGINIA 22092
A FOLDER DESCRIBING TOPOGRAPHIC MAPS AND SYMBOLS IS AVAILABLE ON REQUEST

**ADDITIONAL COPIES OF THIS REPORT CAN BE OBTAINED FROM:
PENNSYLVANIA GEOLOGICAL SURVEY
P. O. BOX 8453
HARRISBURG, PA 17105-8453**

KIRKWOOD, PA.
39076-G1-TF-024
1995
DMA 5763 1 SE-SERIES V831