

JOHN KANN  
JANETTE WEISNESKY

JOHN KANN  
SALLY WEISNESKY

JOHN KANN  
WILLIAM SHEESLEY

JOHN KANN  
WILLIAM SHEESLEY

REED W. & MARTHA BEATTY

BILLIE A. BEATTY

F. C. DEEMER

M. ORIE STYERS

F. C. DEEMER

ALICE B. SHAFFER

JOHN KANN

DEWEY D. SHAFFER

CHARLES STYERS

JOHN KANN  
P.I. & J.W. LONG

ORAN & KATHRYNE McMANUS

LULU V. WEBER

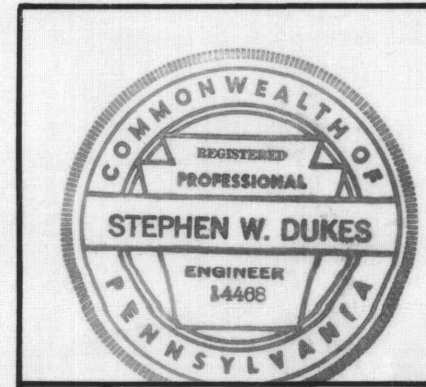
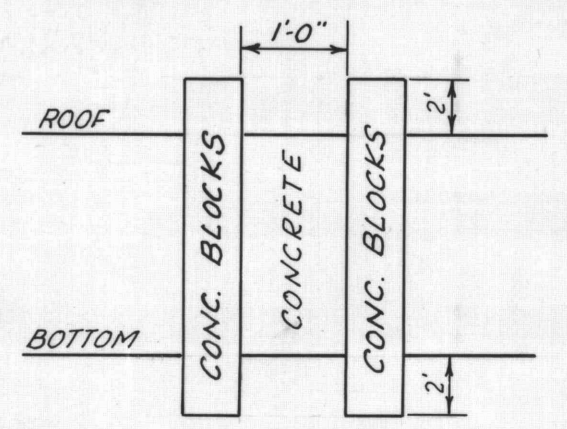
JOHN & FLORENCE KANN  
SURFACE & MINERAL RIGHTS

NORMAN BEATTY

JEFFERSON COUNTY  
CLEARFIELD COUNTY

PA. RT. 36

McGees Mills  
Stages



ISSUED JAN. 31, 1968	PROPERTY MAP	SCALE 1"=400'
WILLOWBROOK COAL MINING CO. INC. BELL TWP, CLEARFIELD CO., PA.		
JOB NO. G8-1-7	GWIN ENGINEERS, INC. CONSULTING ENGINEERS ALTOONA PENNSYLVANIA	SHEET NO. 1