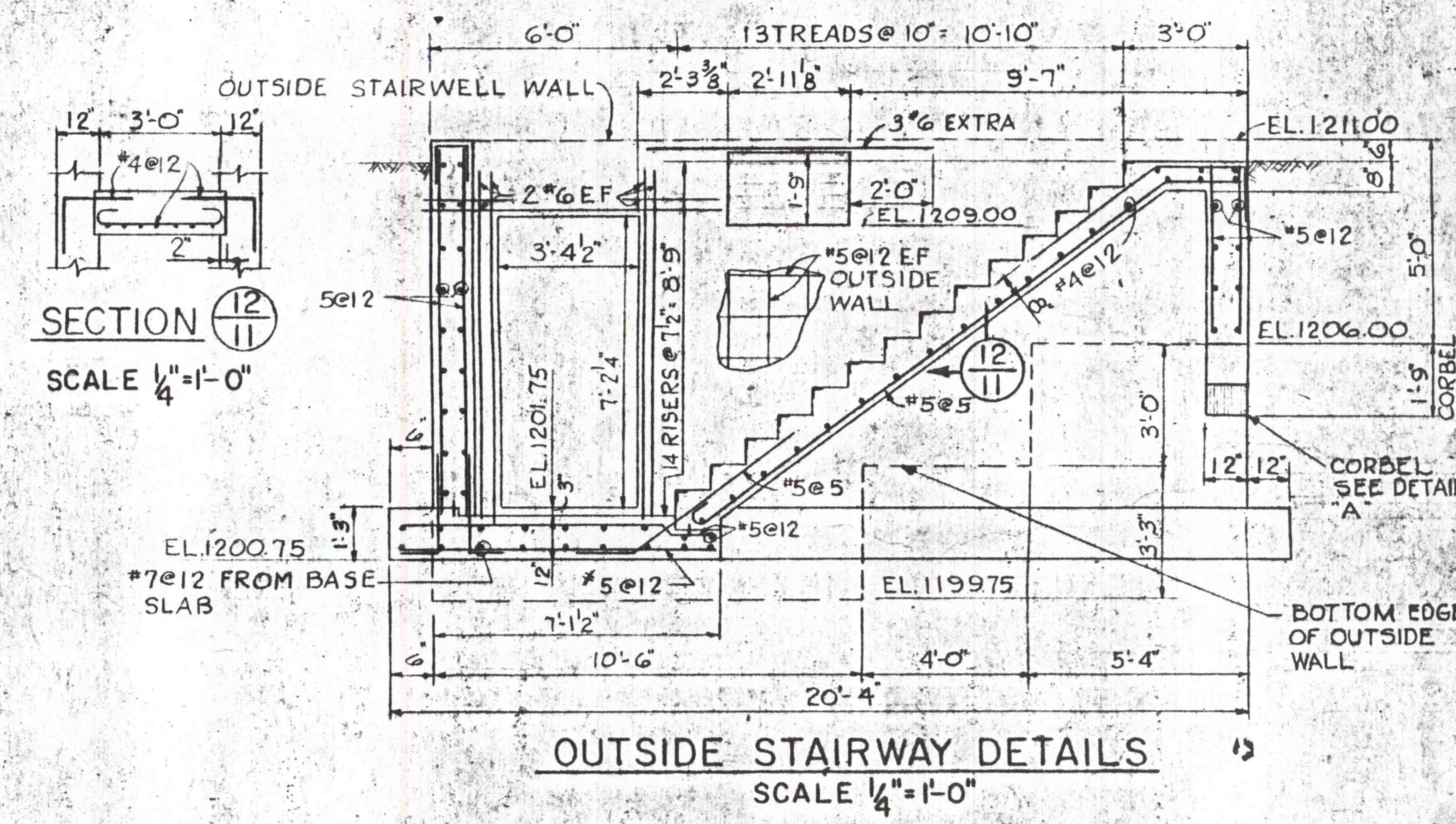
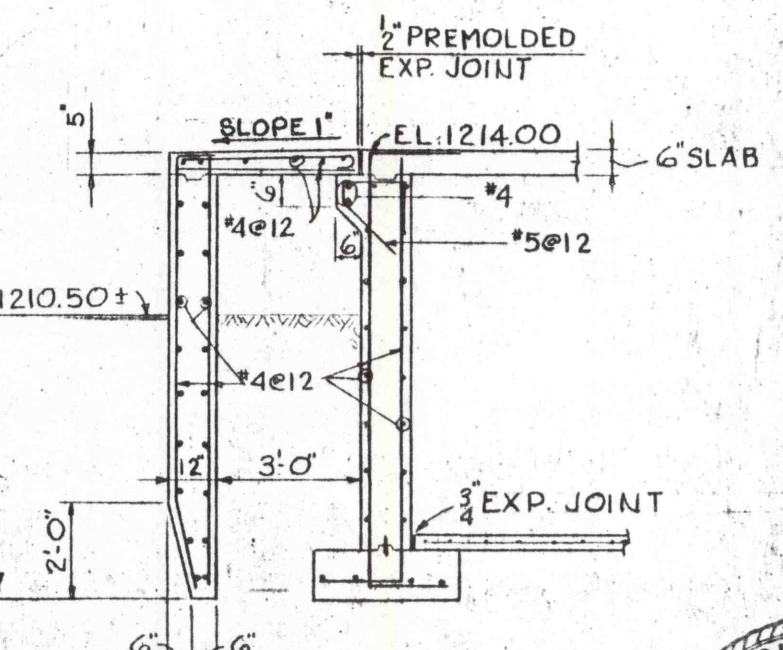
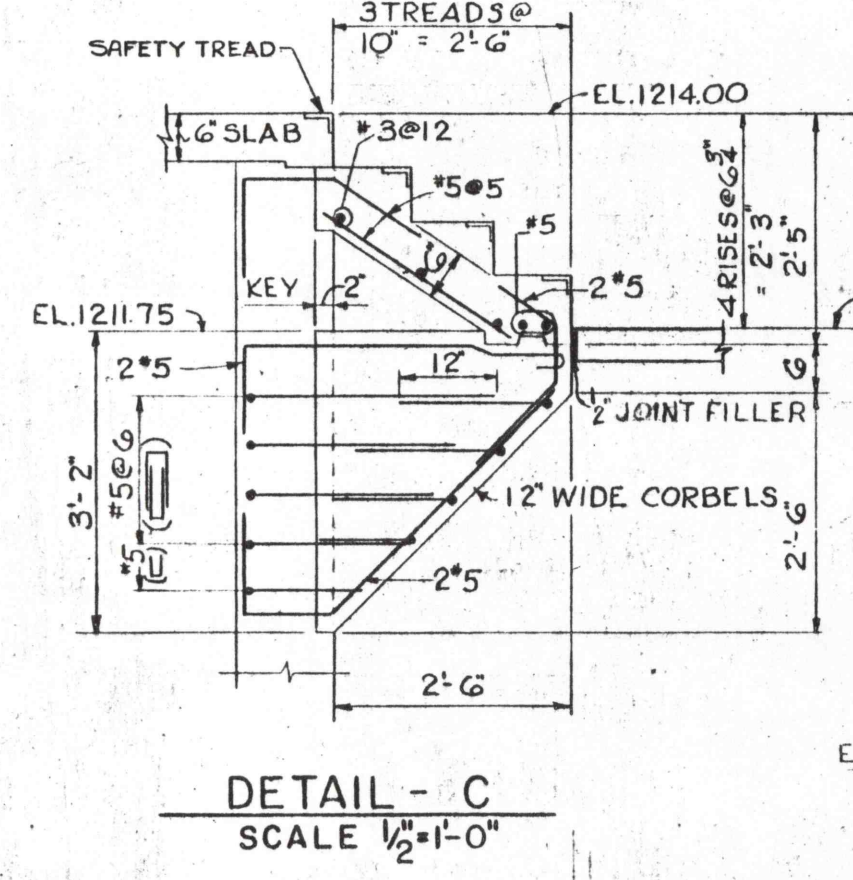
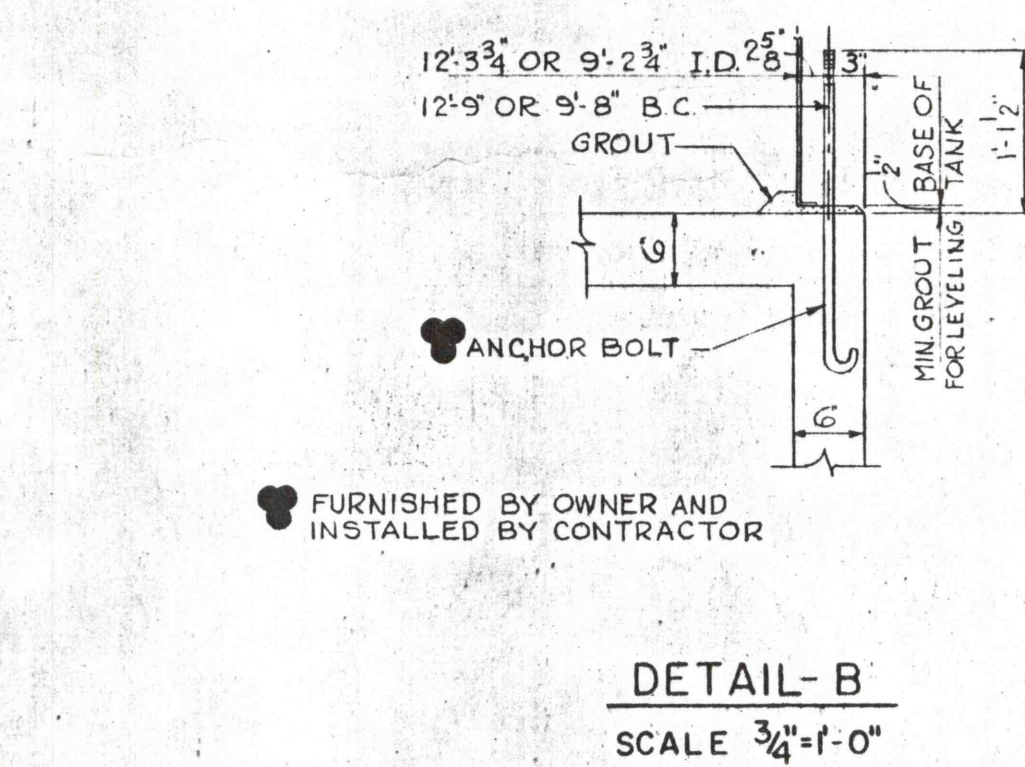
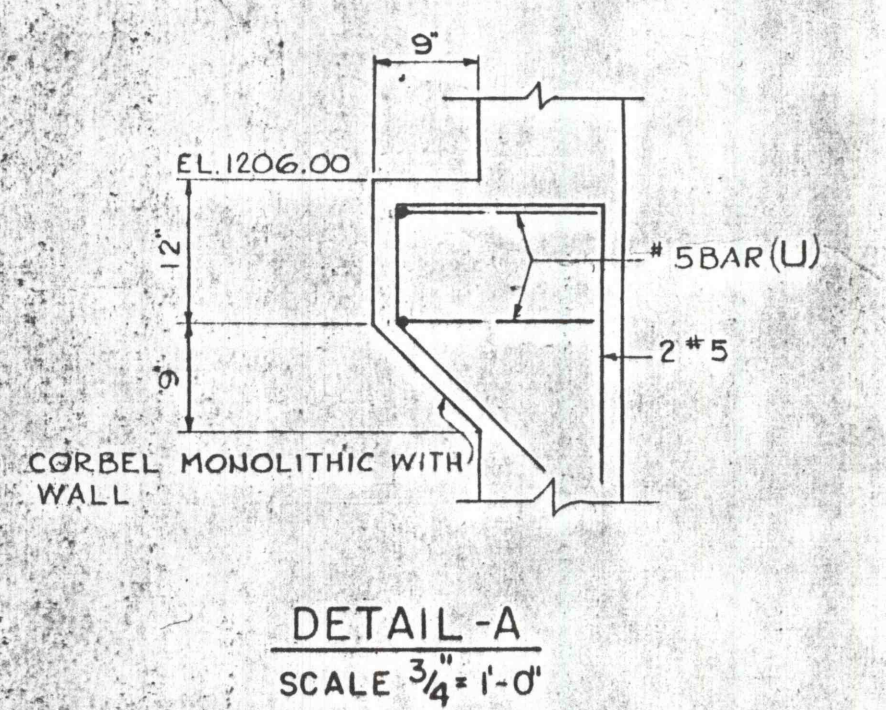
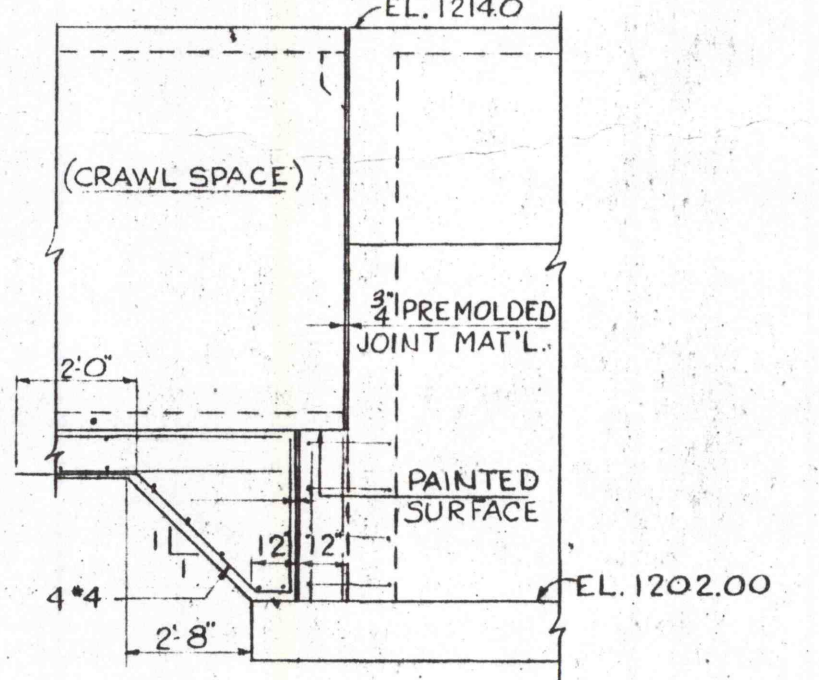
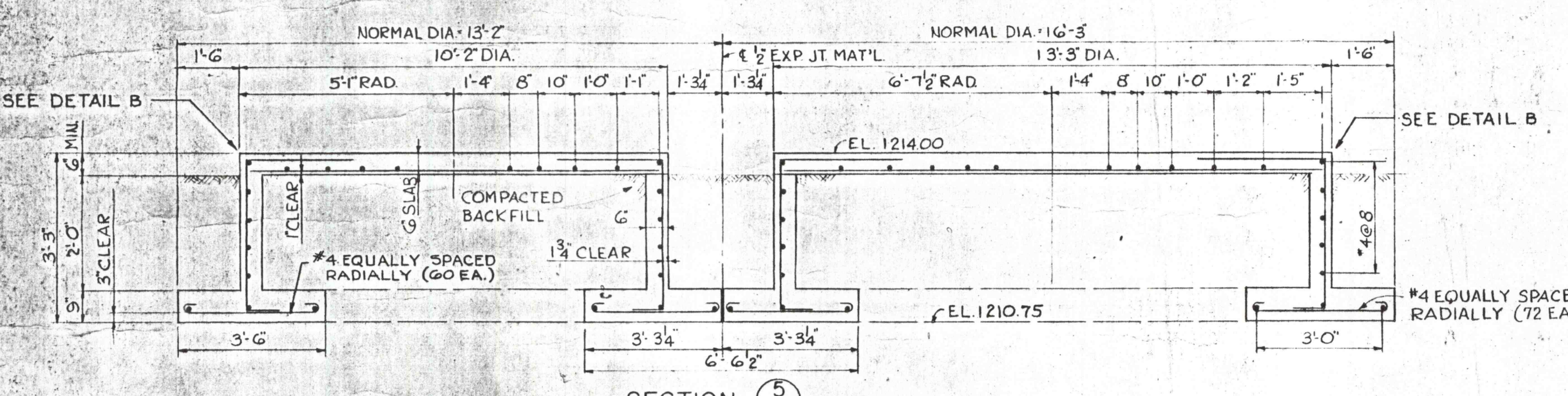
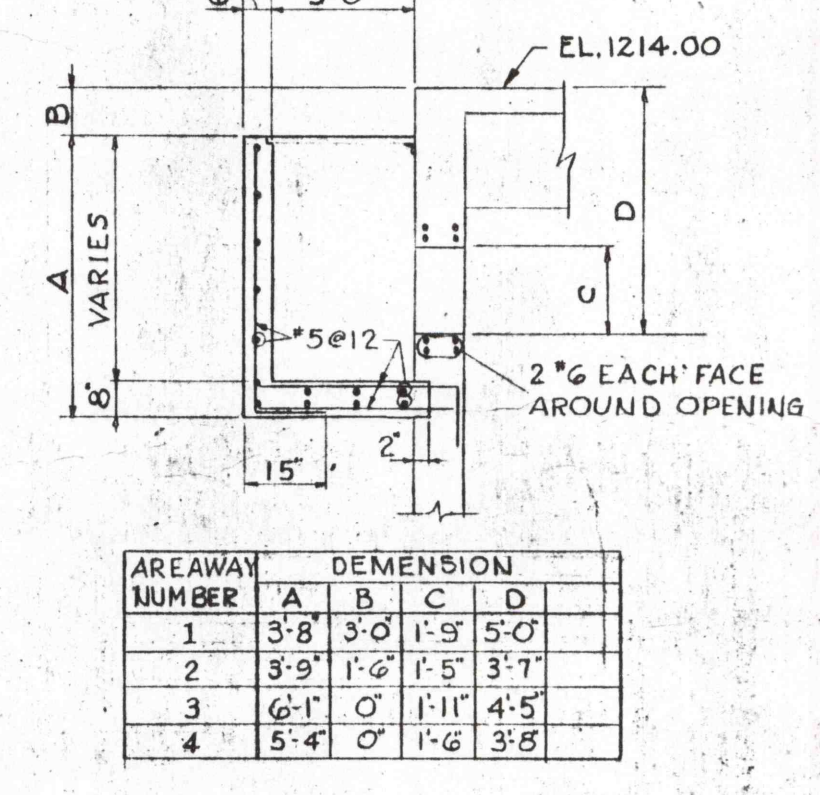
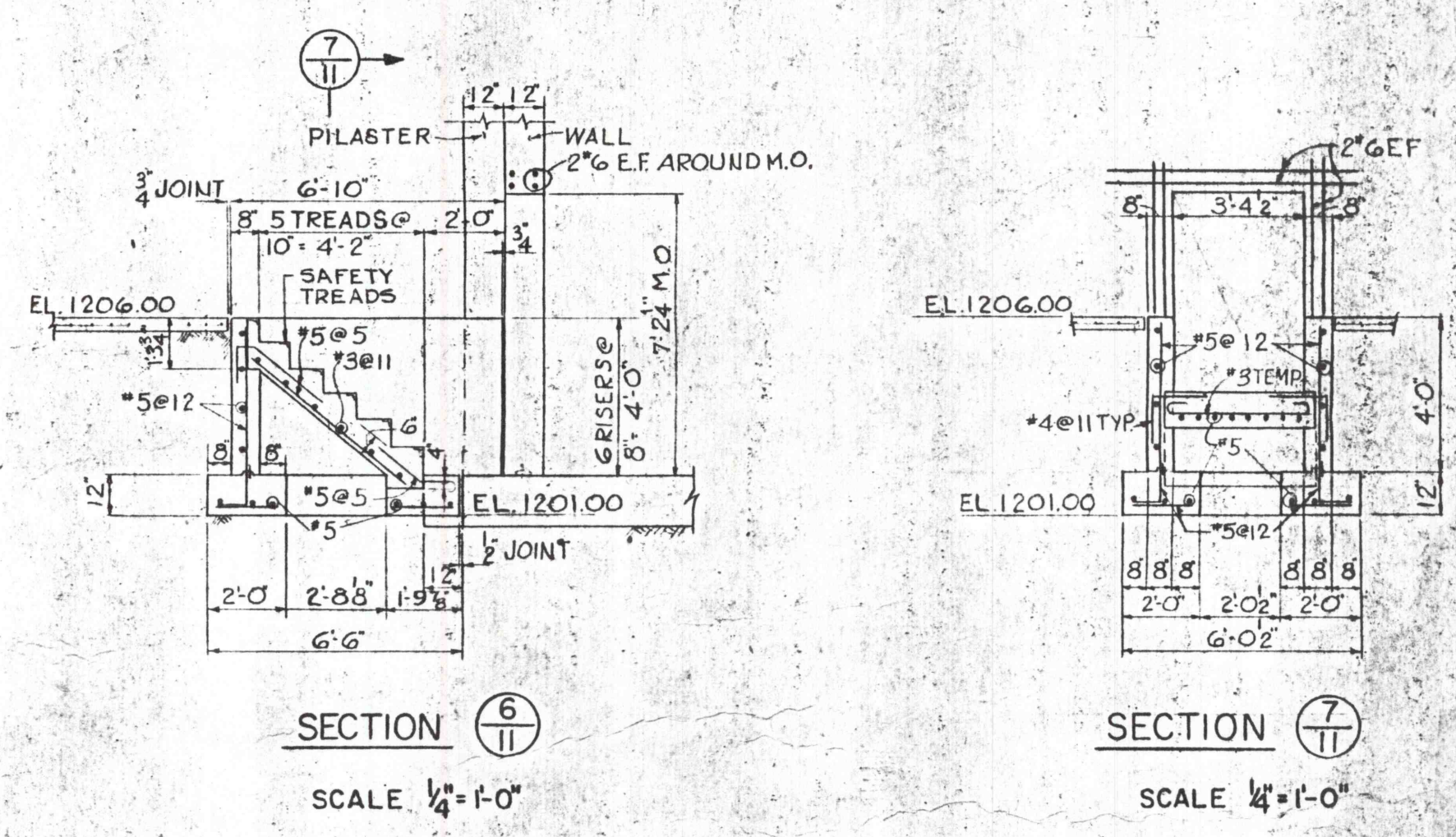
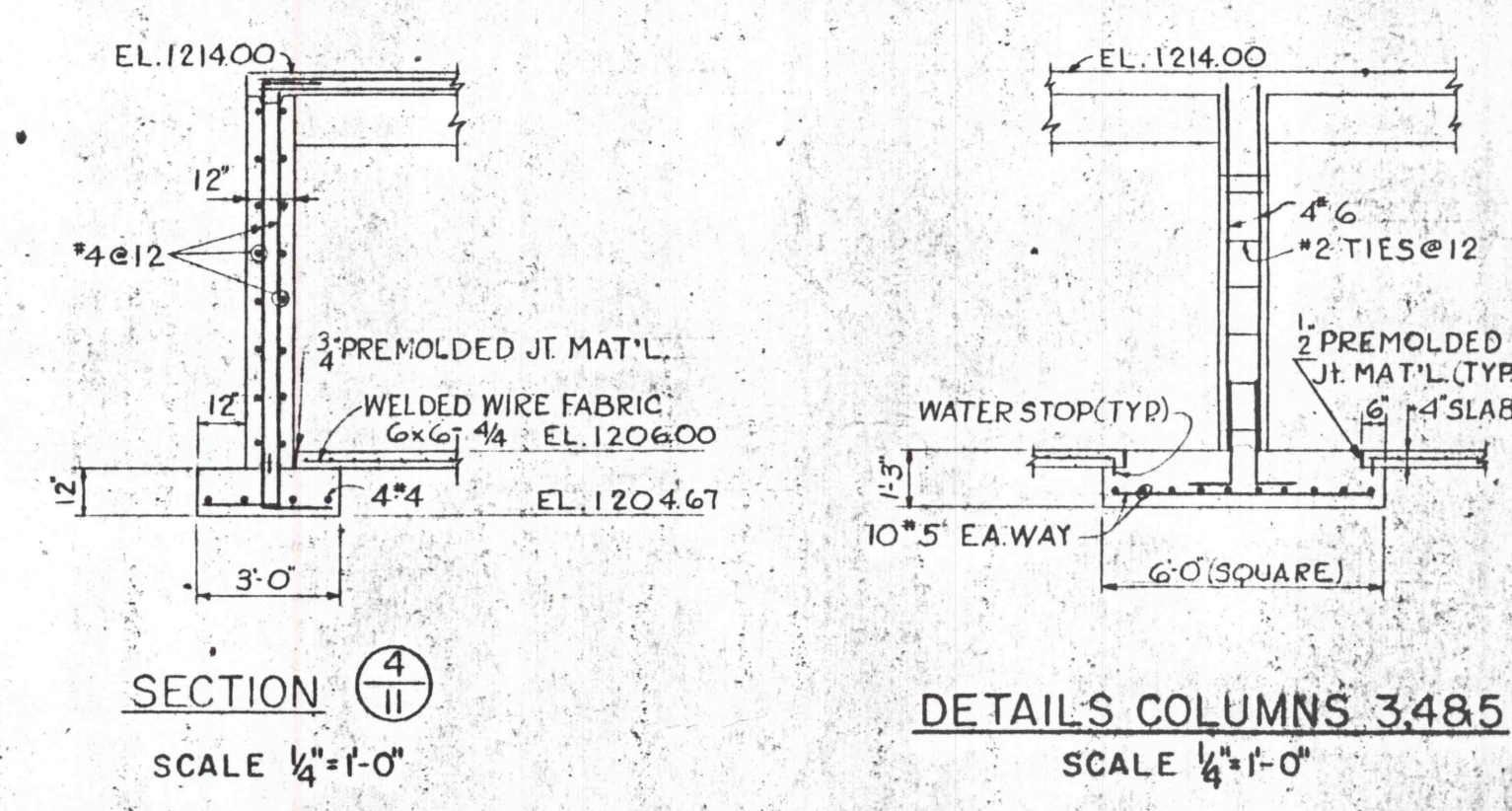
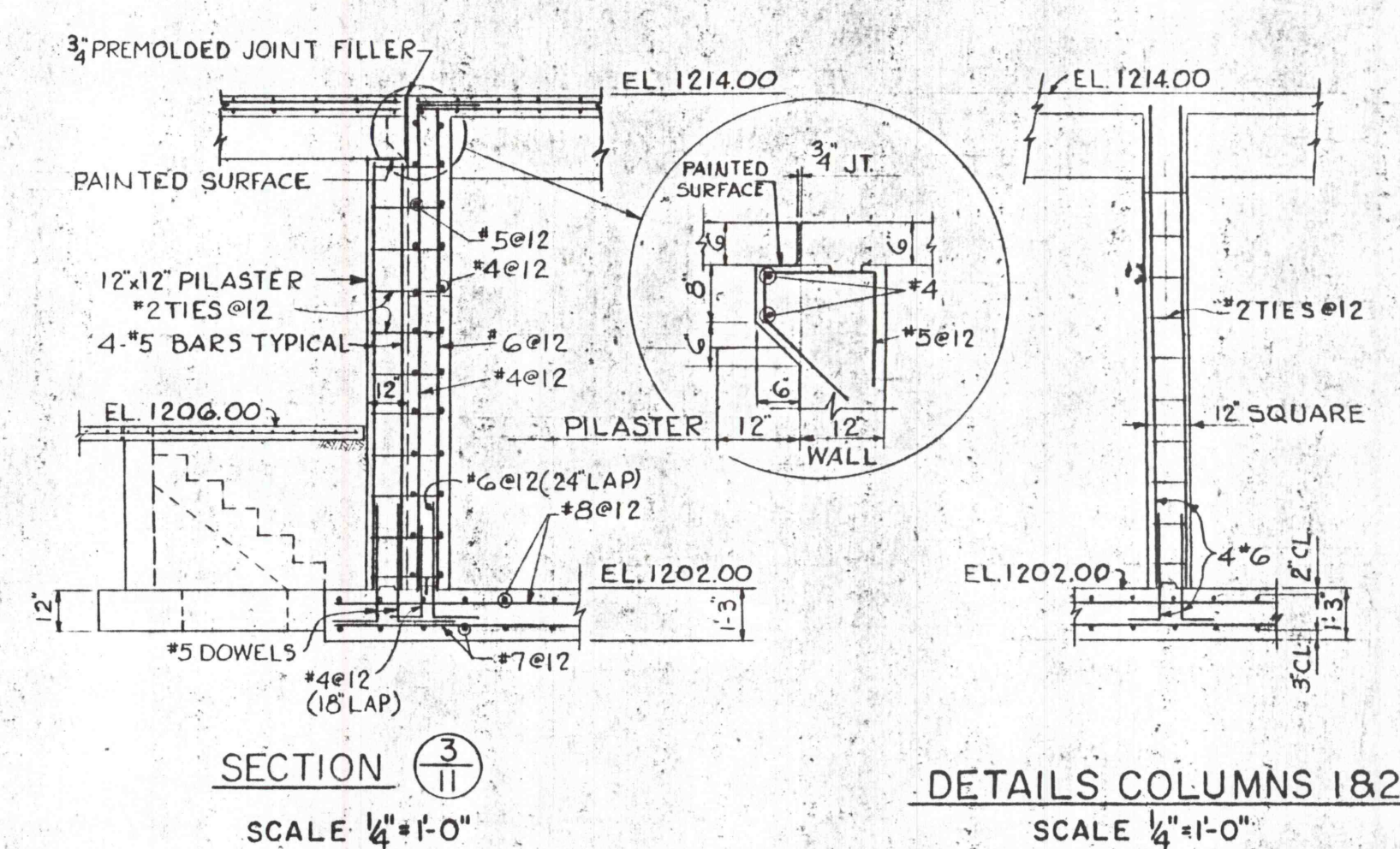
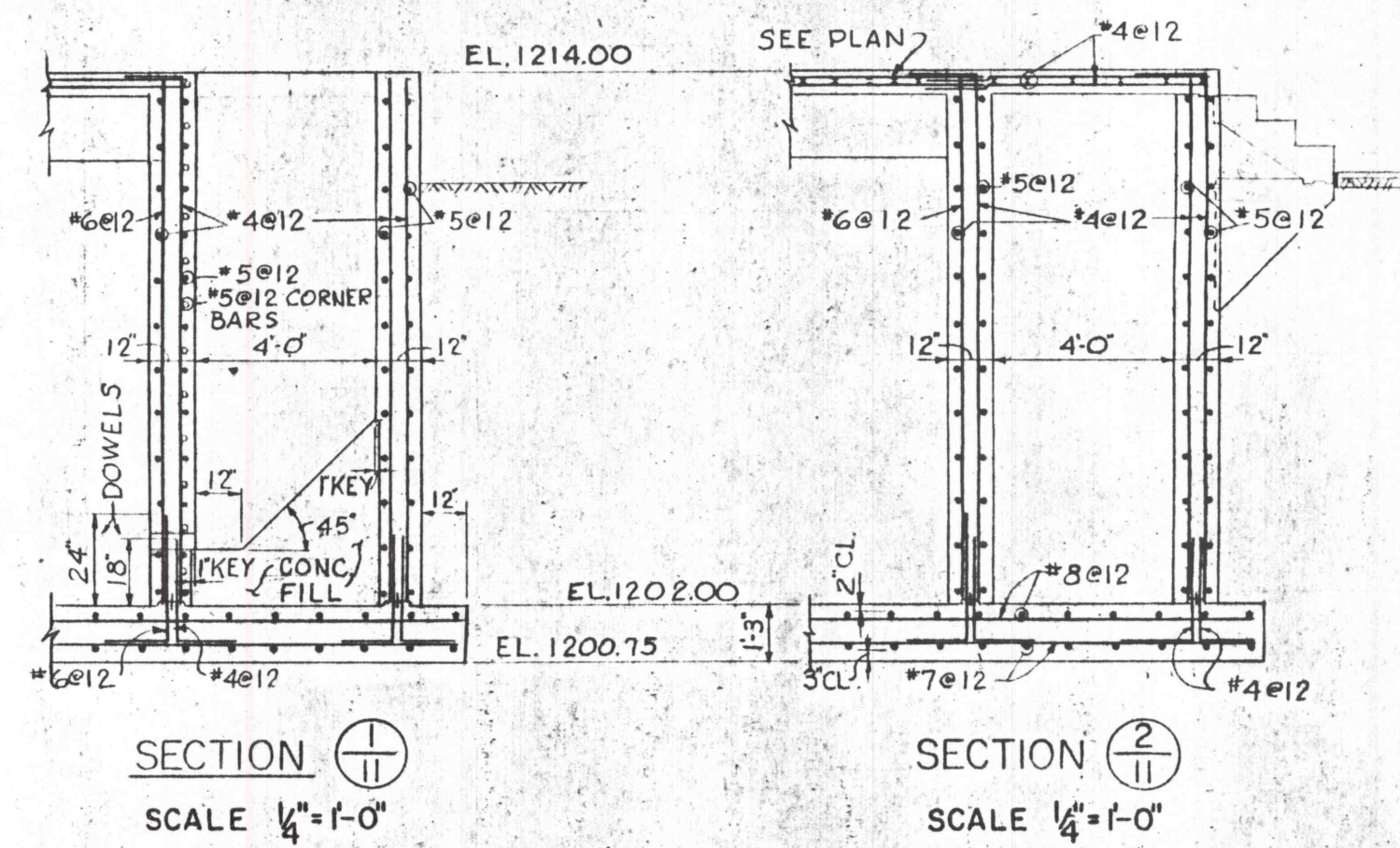
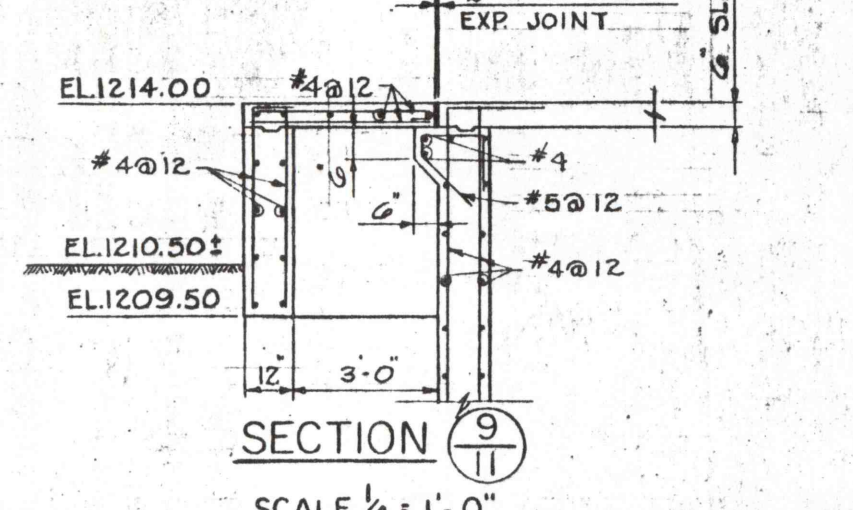
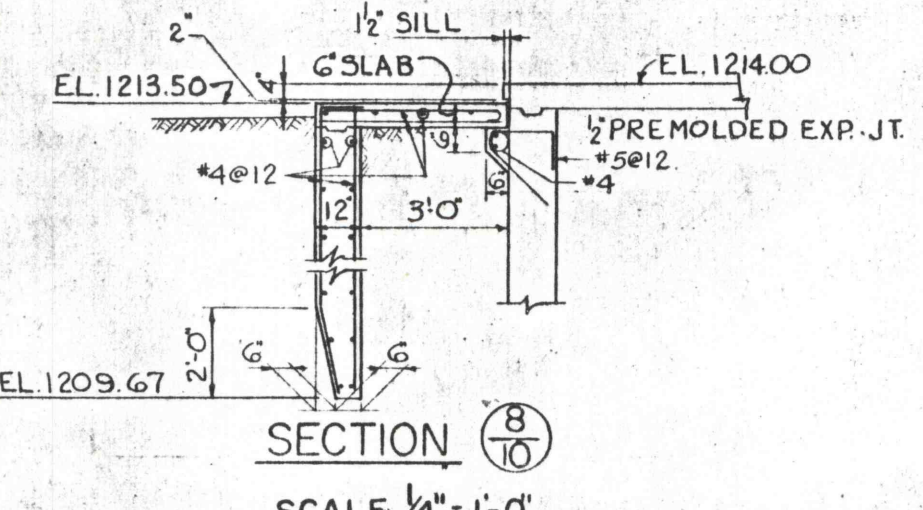


BASEMENT PLAN
SCALE 1/4"=1'-0"



REVISIONS			
NO.	DESCRIPTION	DATE	BY



GANNETT FLEMING CORDDRY & CARPENTER, INC.
ENGINEERS

600 N. SECOND ST. HARRISBURG, PENNA.

DRAWN J.B.S.
TRACED J.B.S.
CHECKED C.K.M.
APPROVED G.G.B.
APPROVED

JOB NO. 4590
SCALE AS SHOWN
DATE JUNE 1967

THE PENNSYLVANIA STATE UNIVERSITY
CONSTRUCTION OF
A MINE DRAINAGE TREATMENT PLANT
HUSTON TOWNSHIP, CLEARFIELD CO., PA.

CONTROL BUILDING
STRUCTURAL

SHEET NO. 11
DRAWING NO. I-17520