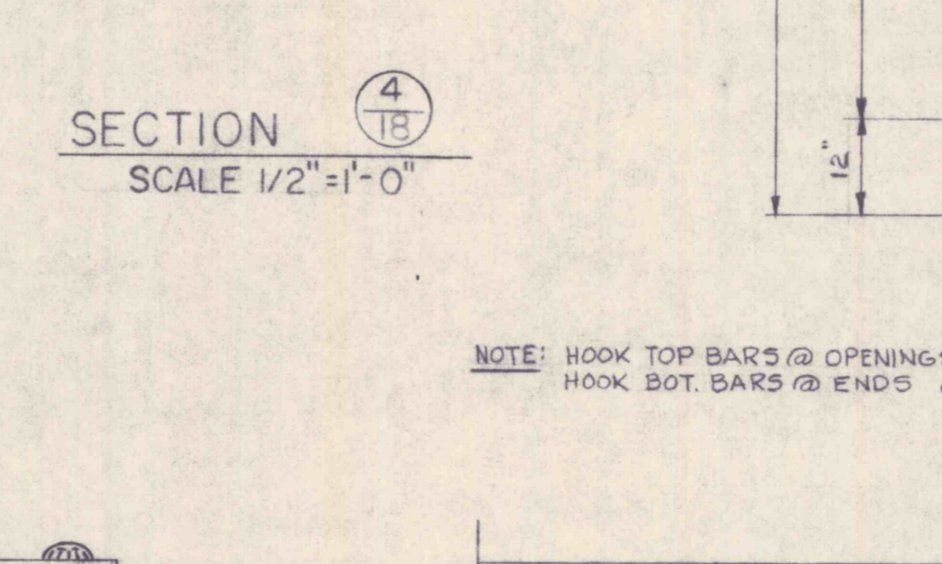
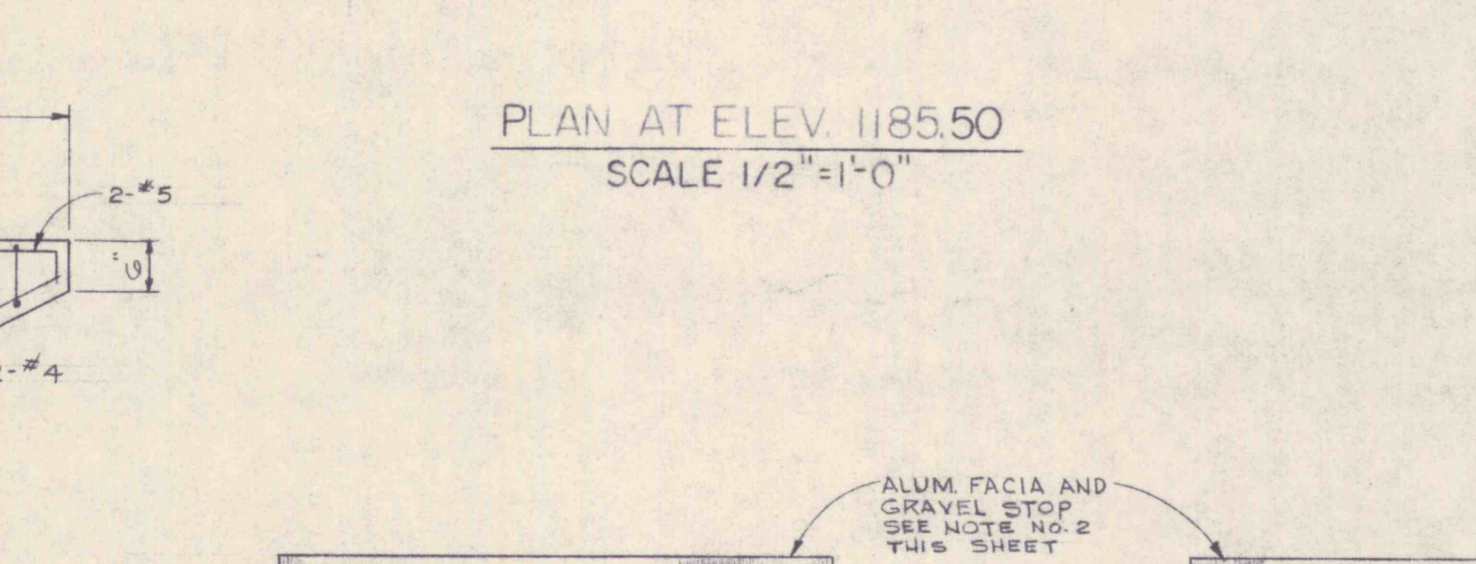
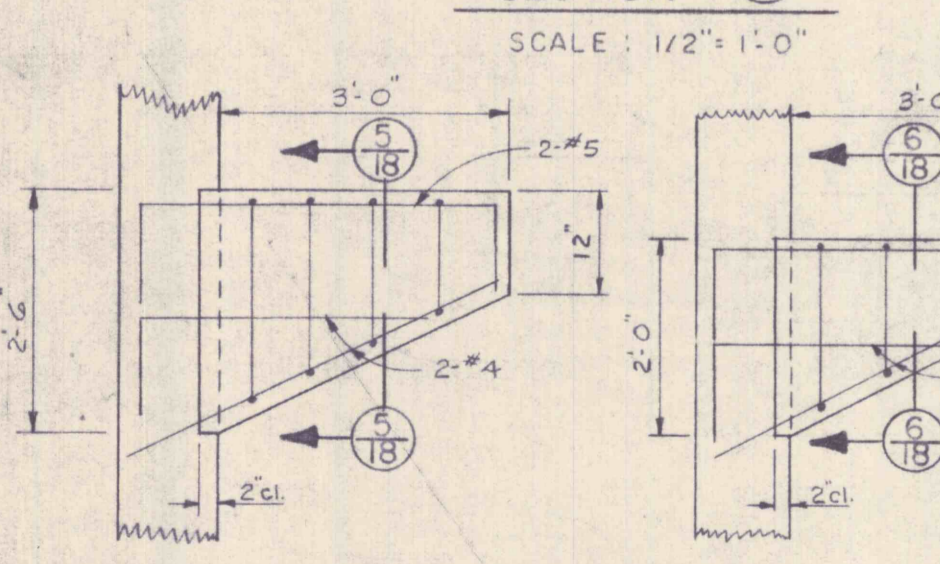
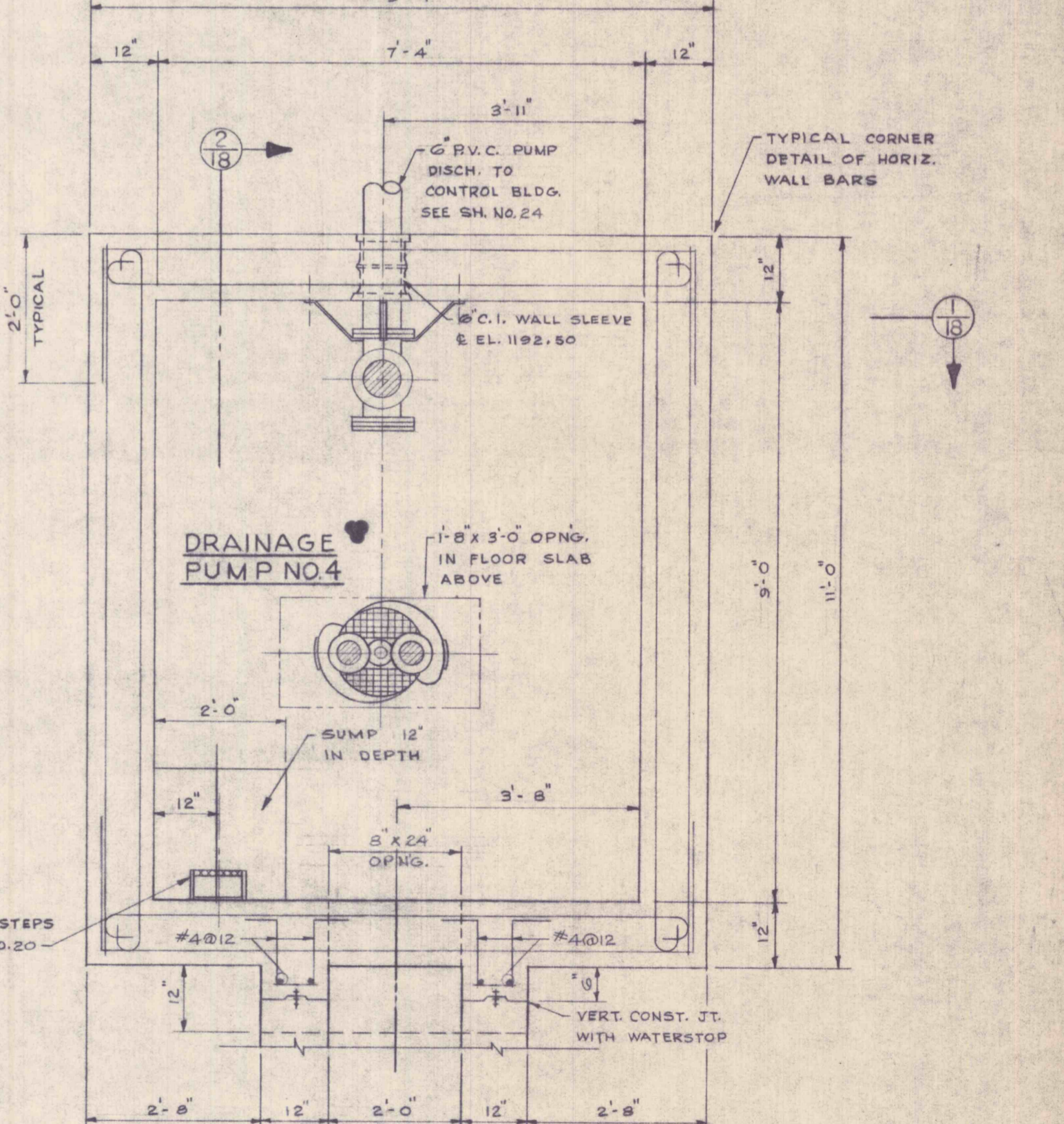
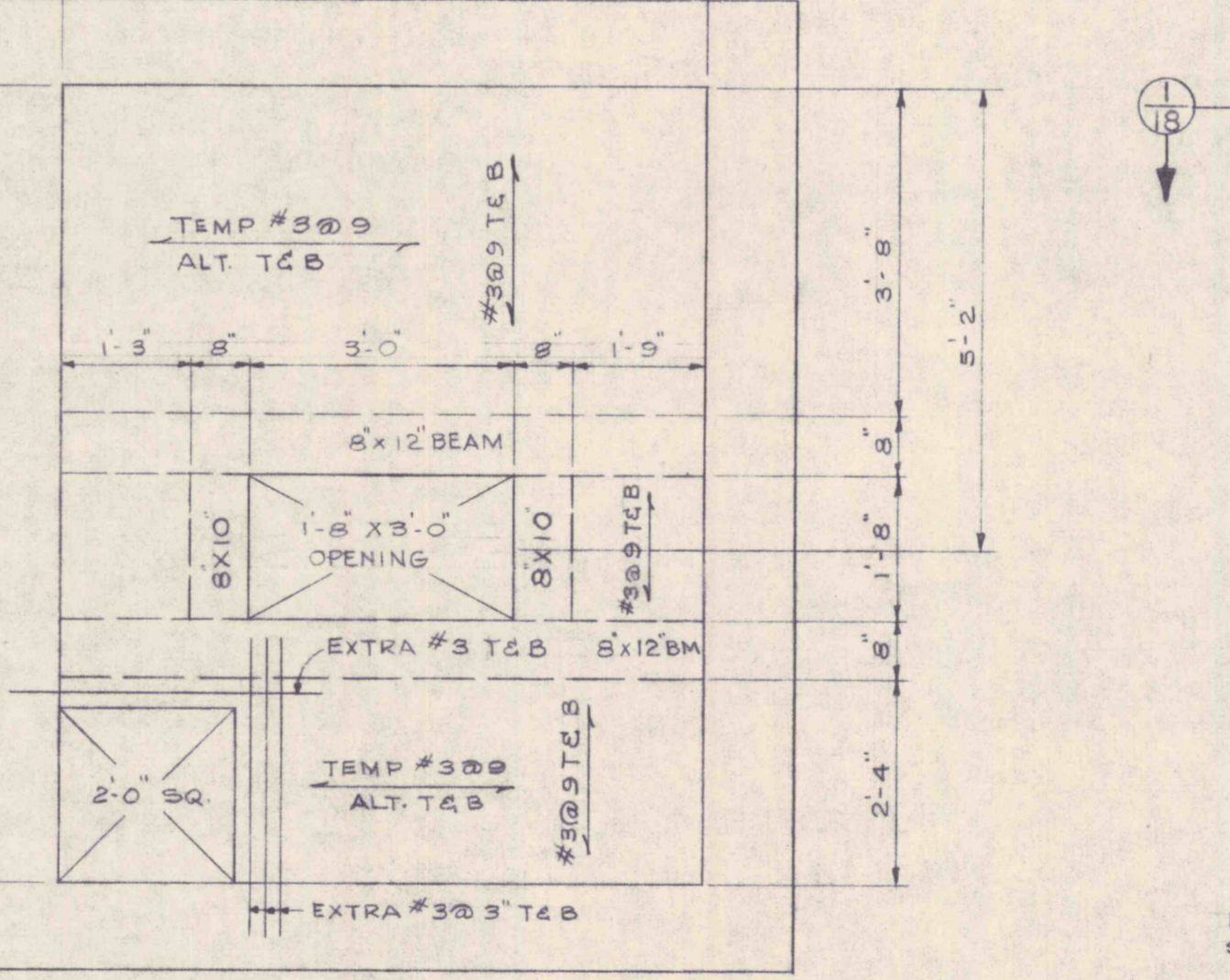
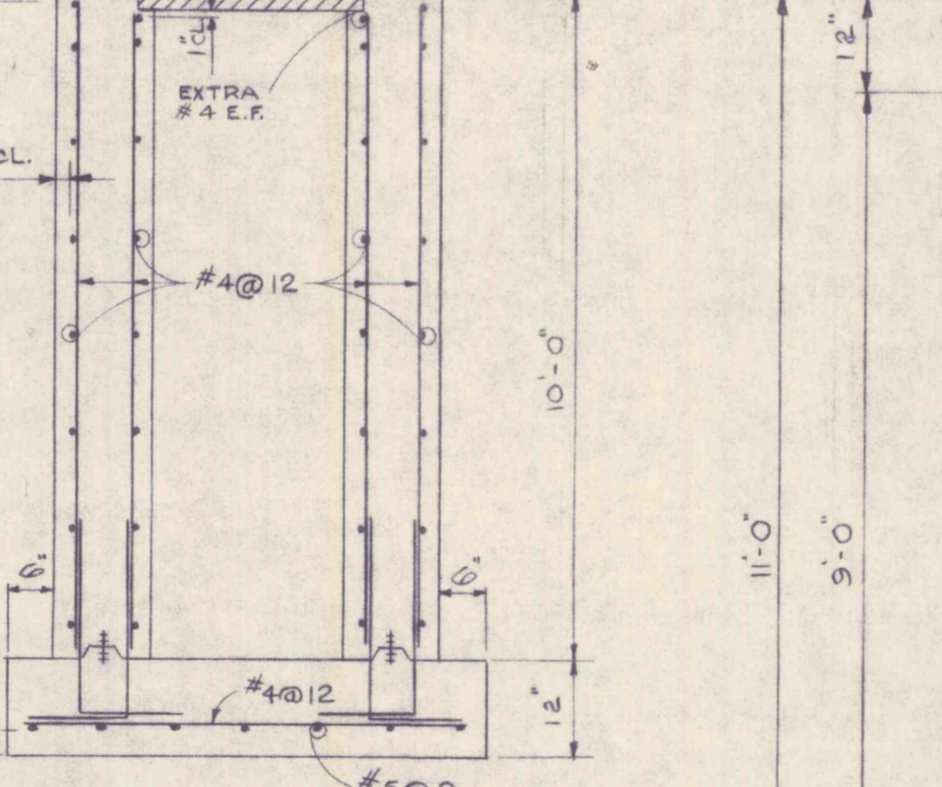
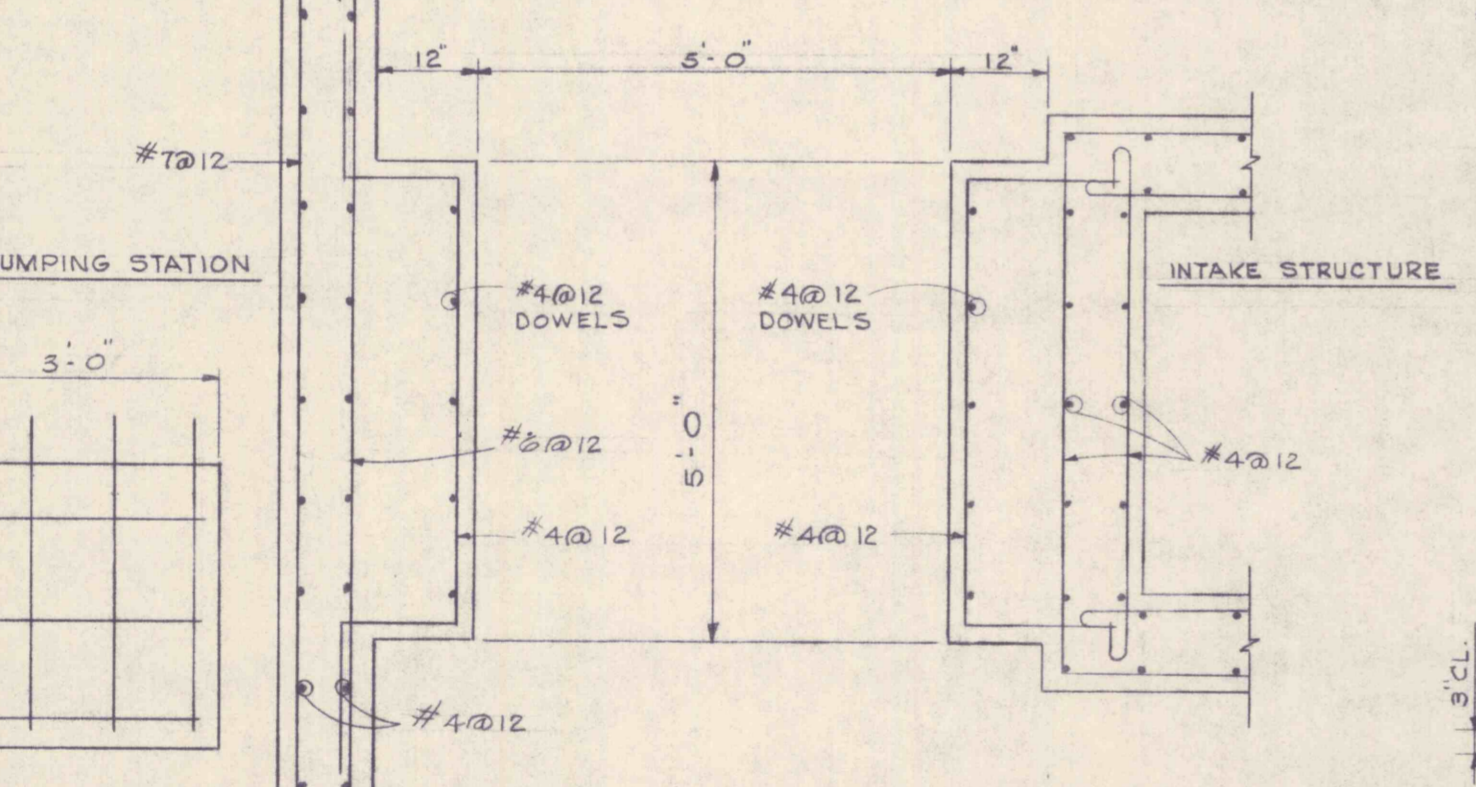
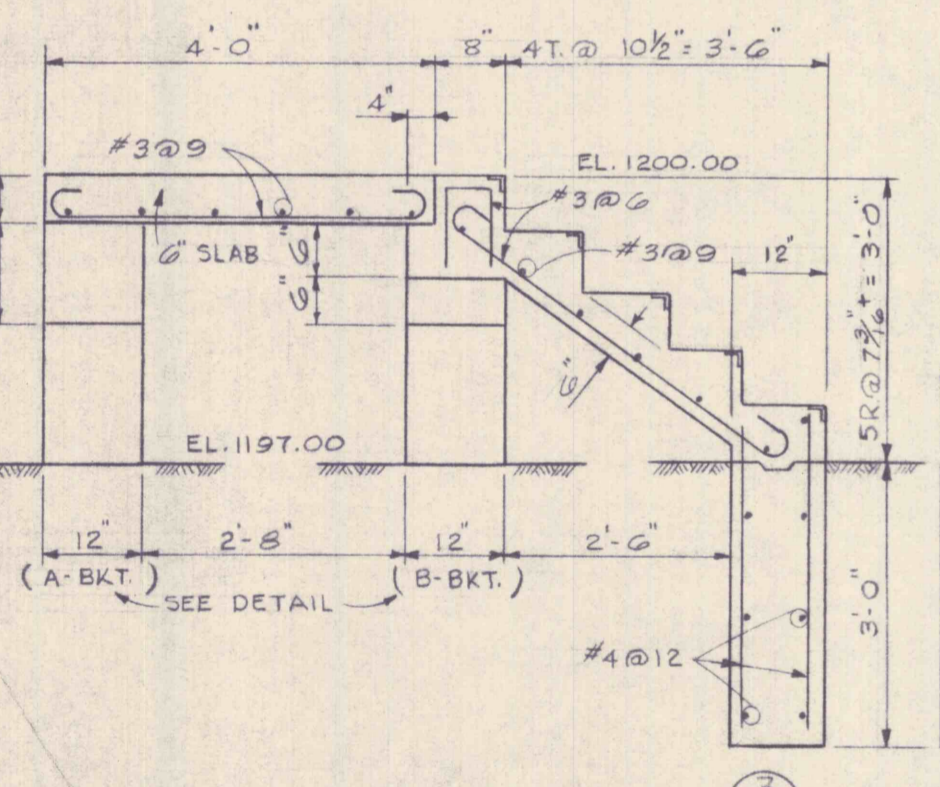


SECTION 1/18
SCALE 1/2"=1'-0"

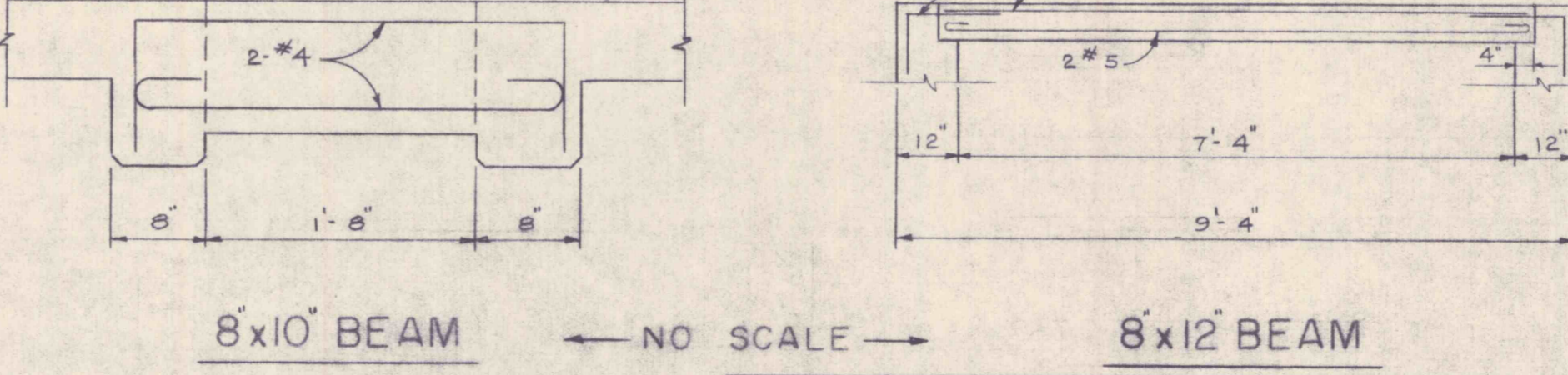
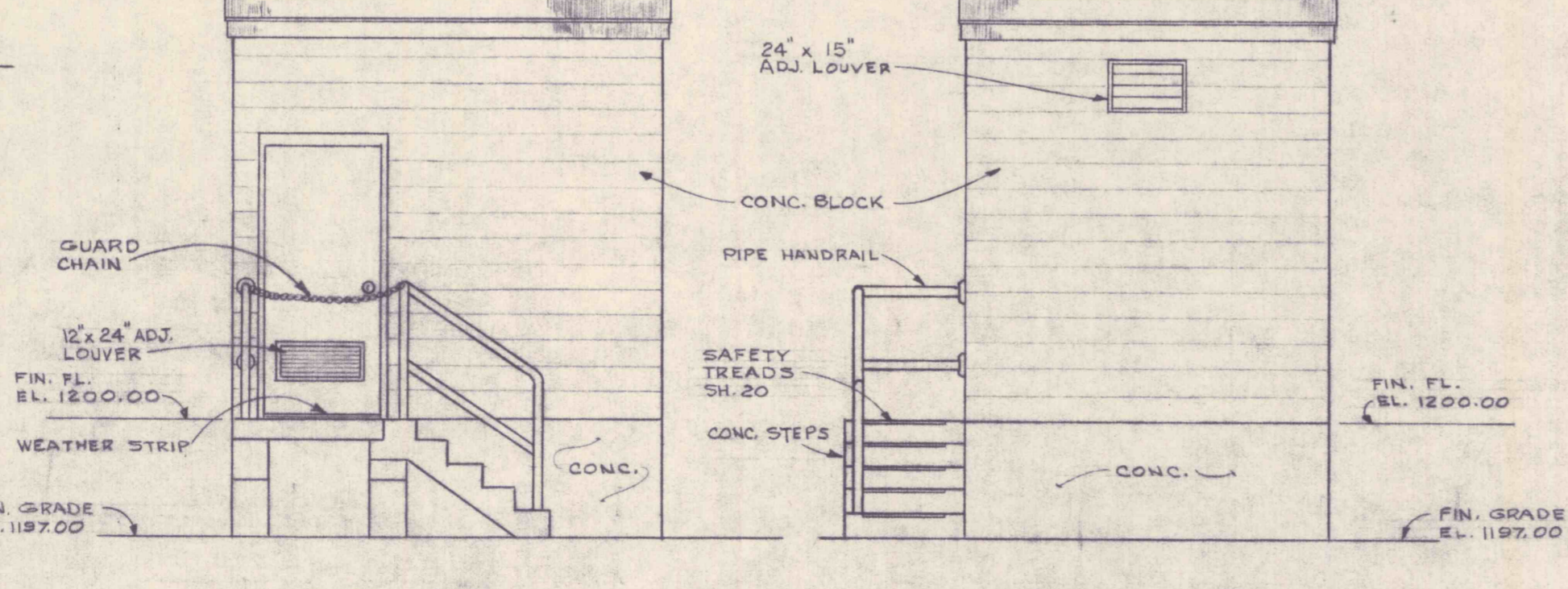
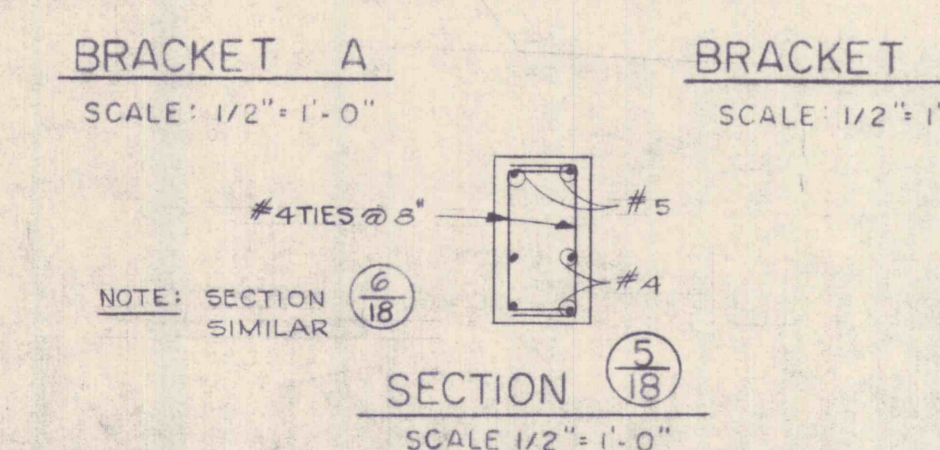
SECTION 2/18
SCALE 1/2"=1'-0"

GROUND FLOOR PLAN
INTAKE STRUCTURE PLAN
SCALE 1/2"=1'-0"



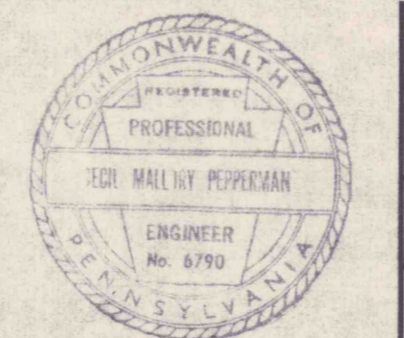
GROUND FLOOR PLAN
STRUCTURAL
SCALE 1/2"=1'-0"

BASEMENT PLAN
SCALE 1/2"=1'-0"



NOTE:
1. FOR TYPICAL WALL SECTION OF PUMPING STATION SEE SECTION 2-C SHEET NO. 16.
2. FOR TYPICAL DETAIL OF FACIA GRAVEL STOP & ROOF DRAIN SEE SHEET NO. 17.
3. UNDER ALTERNATES A & C OF THE ELECTRICAL CONTRACT ALL ELECTRICAL WORK AT BENNETT BRANCH PUMPING STATION IS DELETED.
LEGEND:
● FURNISHED BY THE OWNER AND INSTALLED BY THE CONTRACTOR.
■ BY ELECTRICAL CONTRACTOR.

NO.	DESCRIPTION	DATE	BY



GANNETT FLEMING CORDDY & CARPENTER, INC.
ENGINEERS
600 N. SECOND ST. HARRISBURG, PENNA.

JOB NO. 4590
SCALE AS SHOWN
DATE JUNE 1967
THE PENNSYLVANIA STATE UNIVERSITY
CONSTRUCTION OF
A MINE DRAINAGE TREATMENT PLANT
HUSTON TOWNSHIP, CLEARFIELD CO., PA.
BENNETT BRANCH PUMPING STATION

SHEET NO. 18
DRAWING NO. I-17527