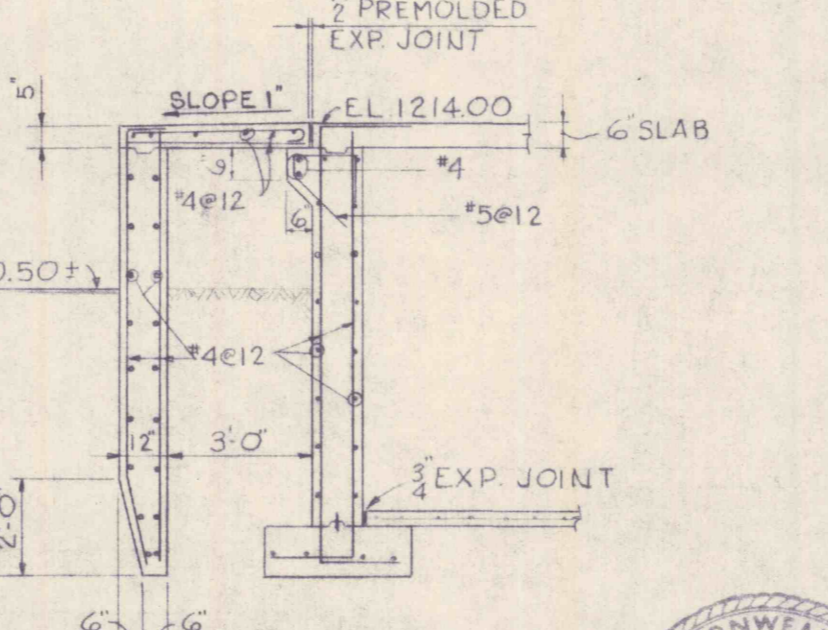
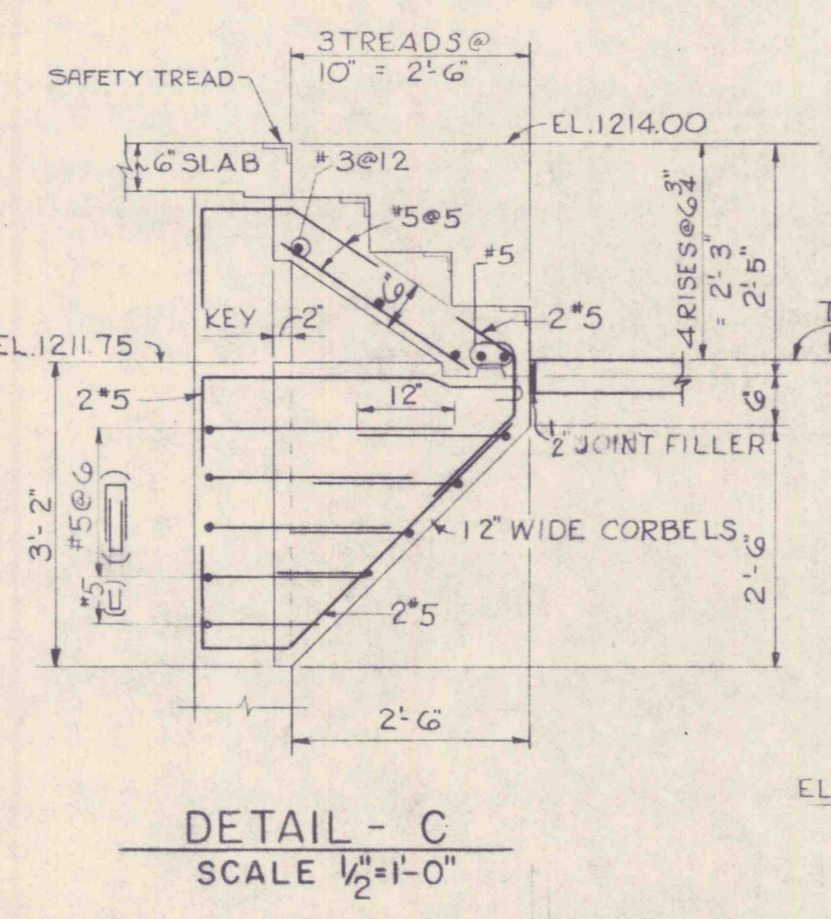
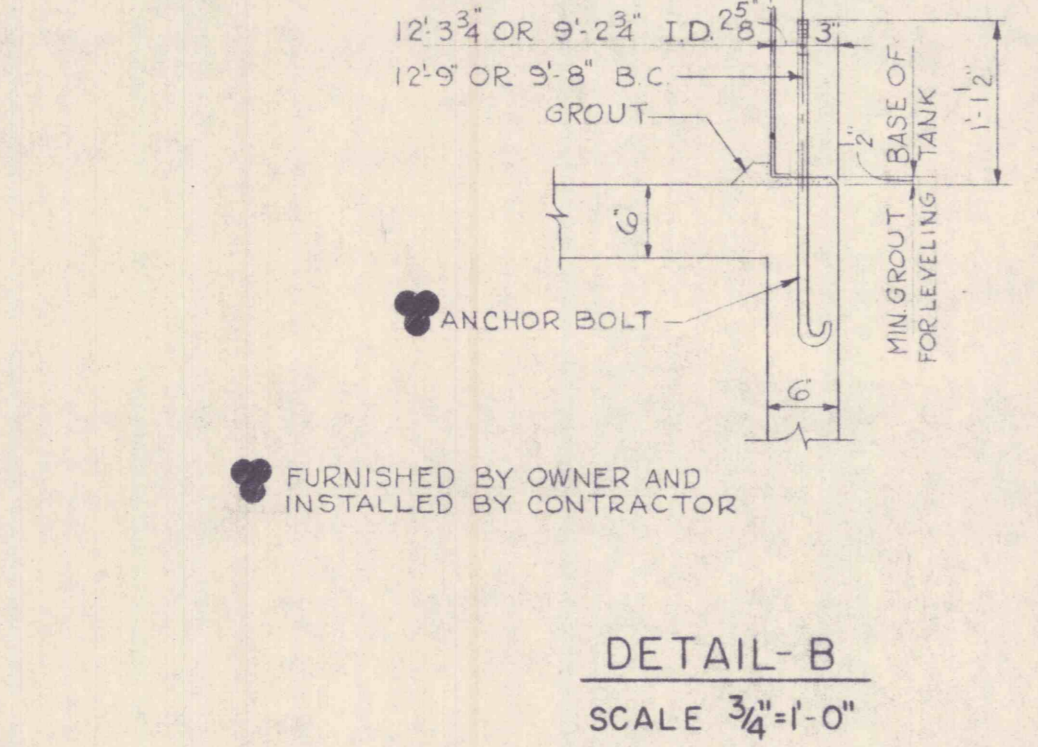
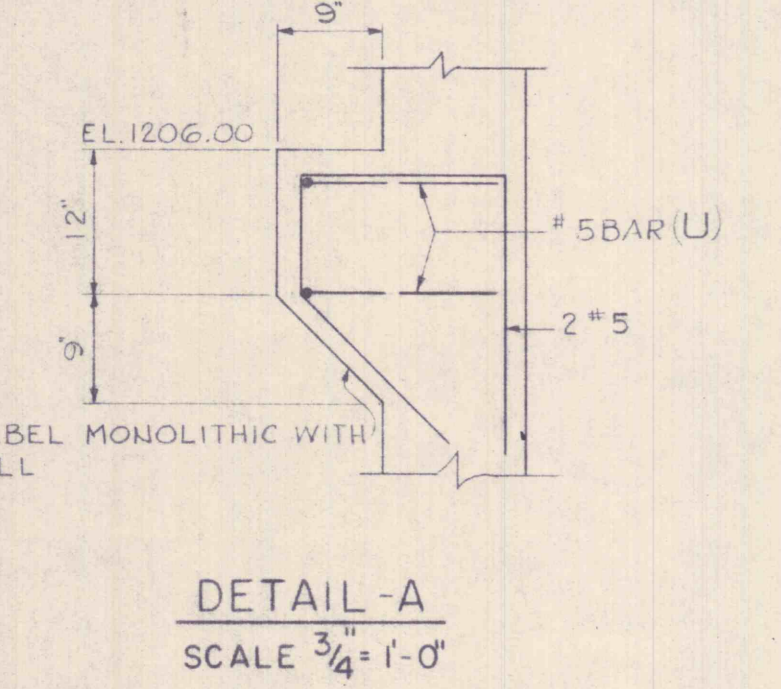


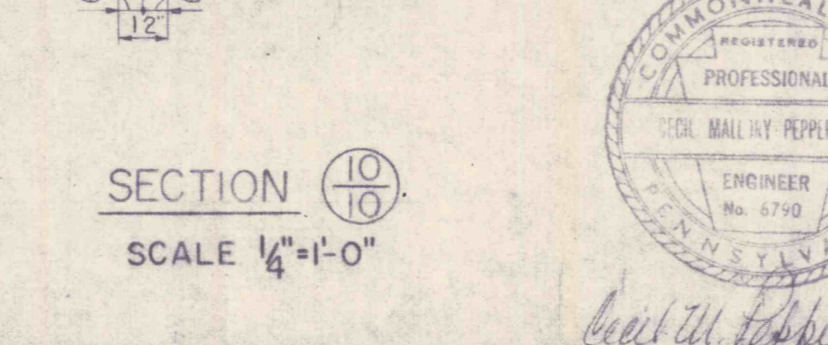
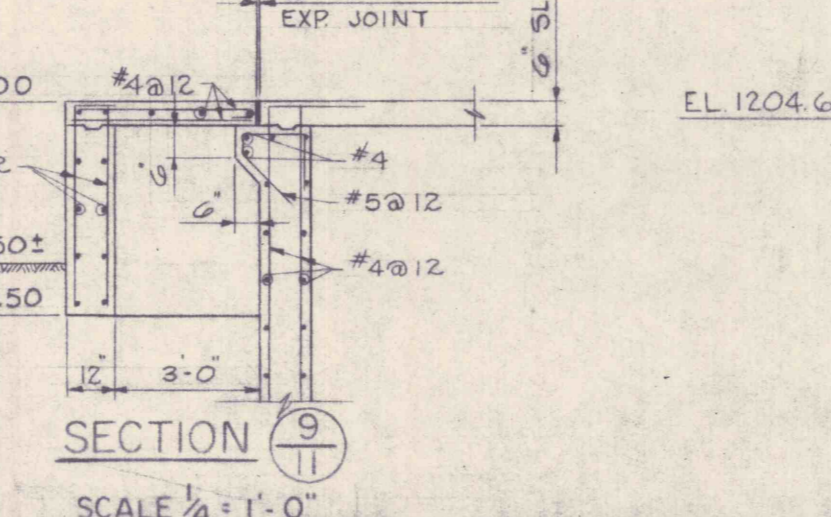
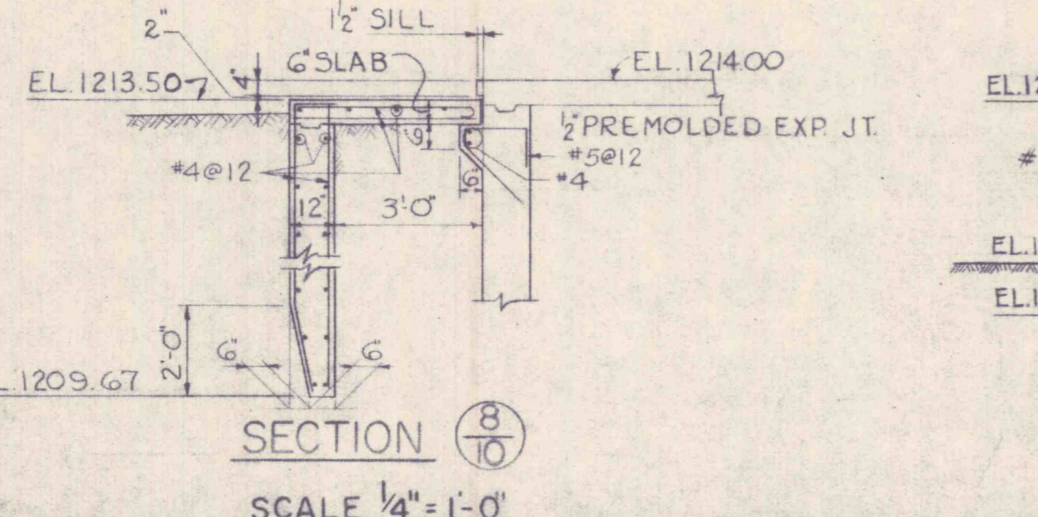
AREAWAY DETAILS
NO SCALE

AREAWAY NUMBER	A	B	C	D
1	3'-8"	3'-0"	1'-9"	5'-0"
2	9'-9"	1'-6"	1'-5"	3'-7"
3	6'-1"	0"	1'-11"	4'-5"
4	5'-4"	0"	1'-6"	3'-8"



REVISIONS

NO.	DESCRIPTION	DATE	BY



GANNETT FLEMING CORDDRY & CARPENTER, INC. ENGINEERS 600 N. SECOND ST. HARRISBURG, PENNA.	JOB No. 4590	THE PENNSYLVANIA STATE UNIVERSITY CONSTRUCTION OF A MINE DRAINAGE TREATMENT PLANT HUSTON TOWNSHIP, CLEARFIELD CO., PA.	SHEET No. 11
	SCALE AS SHOWN	DATE JUNE 1967	DRAWING No. 1-17520