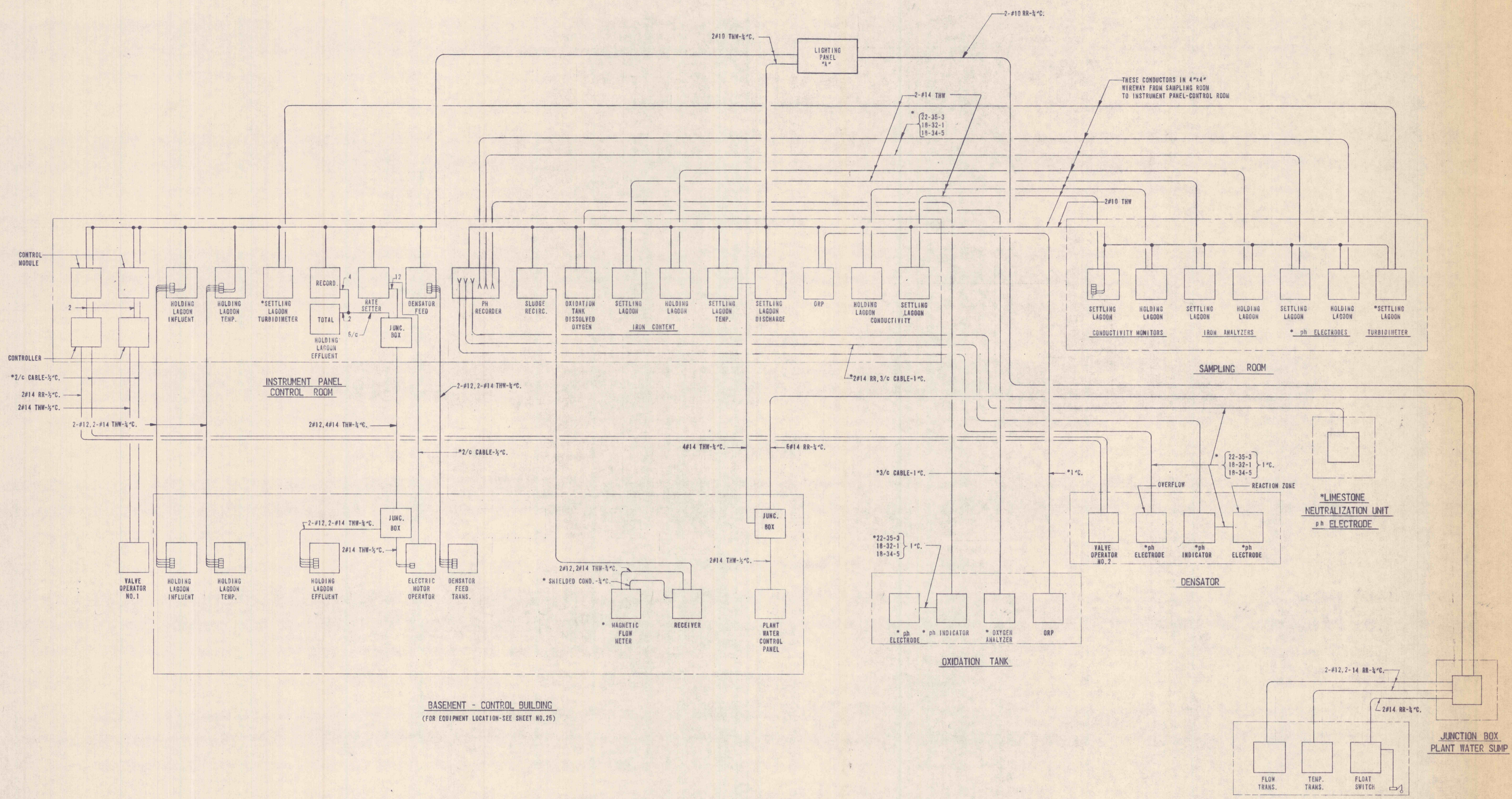
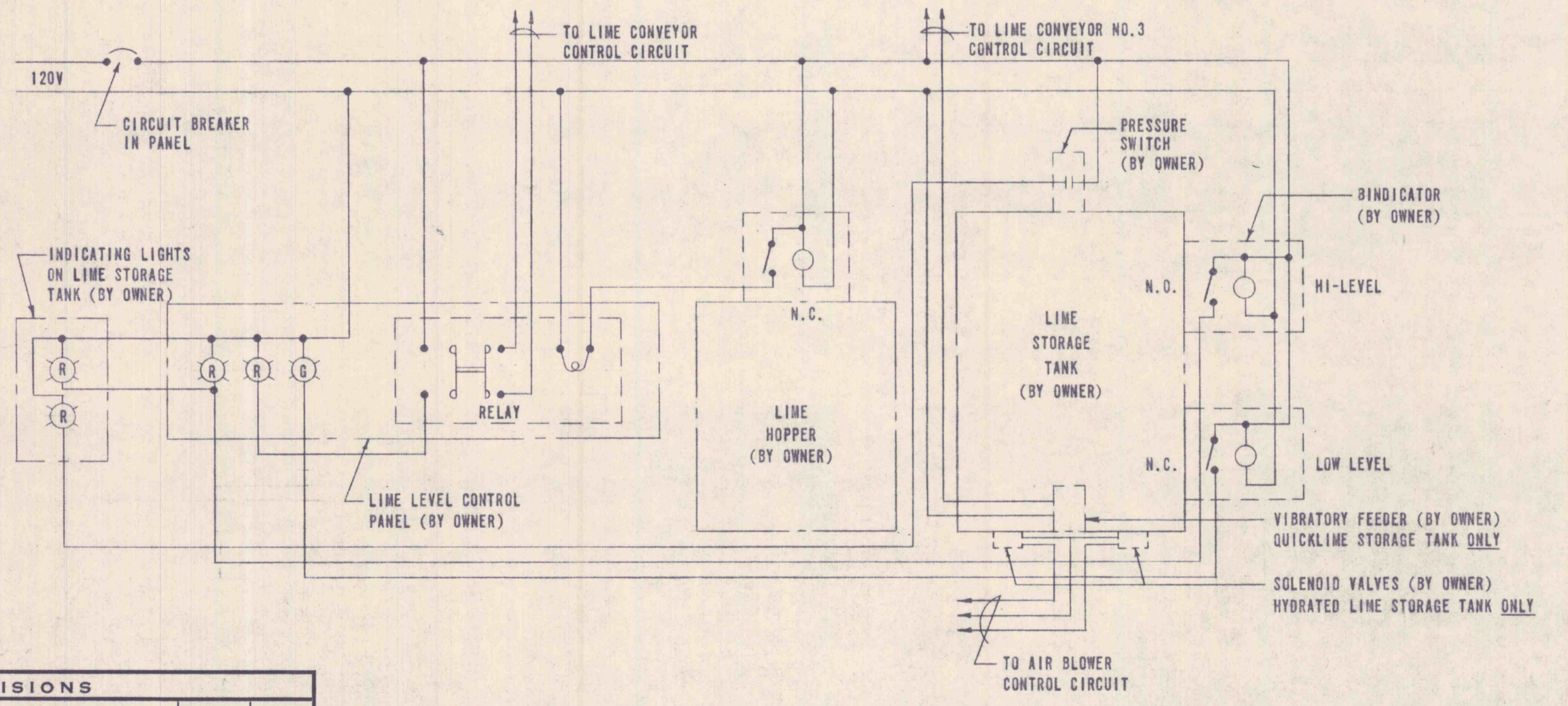
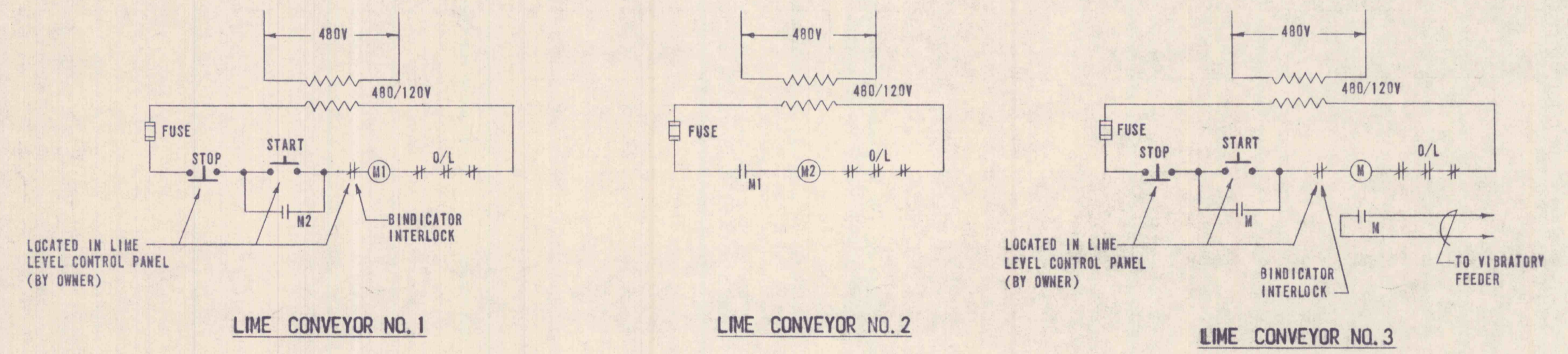


20019 Bannell St
Carpenter, Pa.



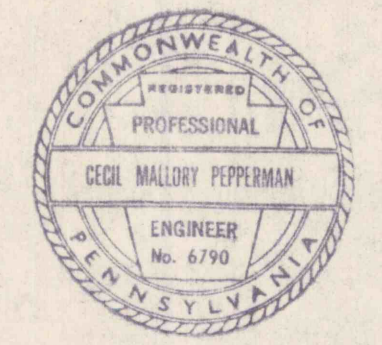
BASEMENT - CONTROL BUILDING
(FOR EQUIPMENT LOCATION-SEE SHEET NO. 25)

METERING WIRING



GENERAL NOTES:
* ALL pH ELECTRODES AND METERING EQUIPMENT FURNISHED BY OWNER.
3/C CABLE AND SPECIAL CABLE FURNISHED BY OWNER AND INSTALLED UNDER THIS CONTRACT.

REVISIONS			
NO.	DESCRIPTION	DATE	BY



Gennet Fleming Corddry

DRAWN W.P.H. TRACED W.P.H. CHECKED C.K.M. APPROVED G.G.B. APPROVED	GANNETT FLEMING CORDDRY & CARPENTER, INC. ENGINEERS 600 N. SECOND ST. HARRISBURG, PENNA.		JOB NO. 4590	THE PENNSYLVANIA STATE UNIVERSITY CONSTRUCTION OF A MINE DRAINAGE TREATMENT PLANT HUSTON TOWNSHIP, CLEARFIELD CO., PA.	SHEET NO. 29
	SCALE AS SHOWN		DATE JUNE 1967	SINGLE LINE DIAGRAMS AND WIRING DIAGRAMS	
	DRAWING NO.		I-17722		
	APPROVED		APPROVED		