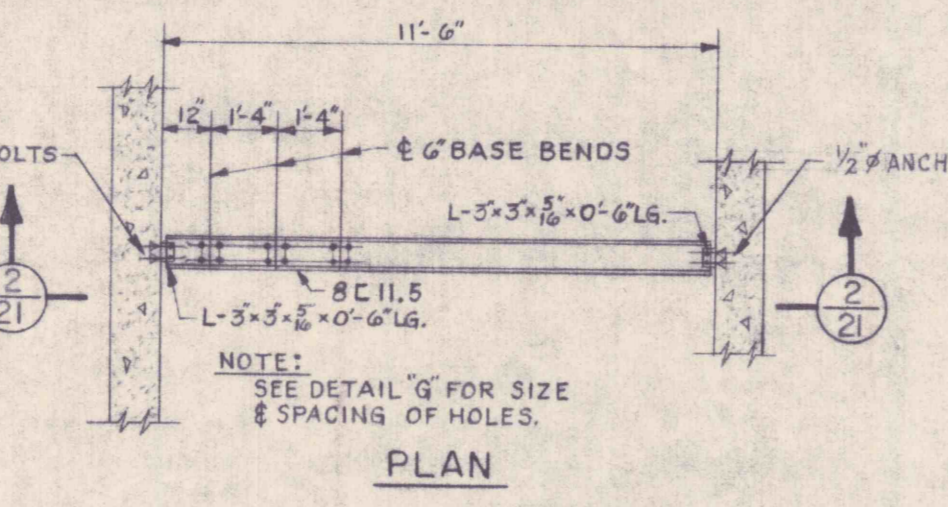
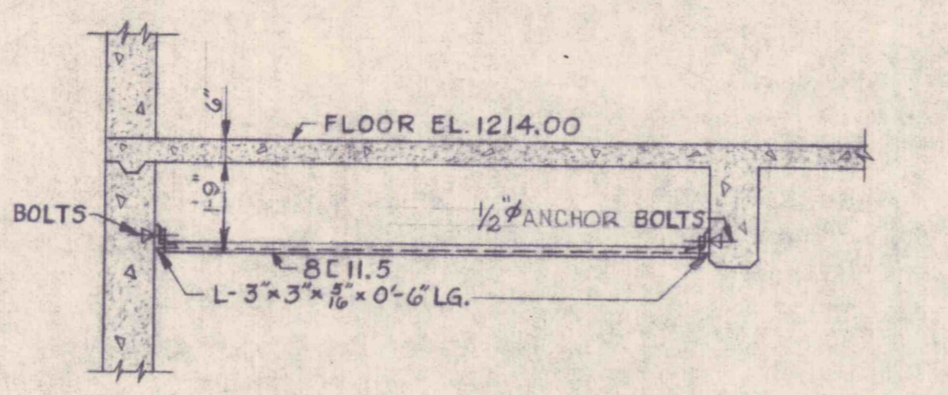


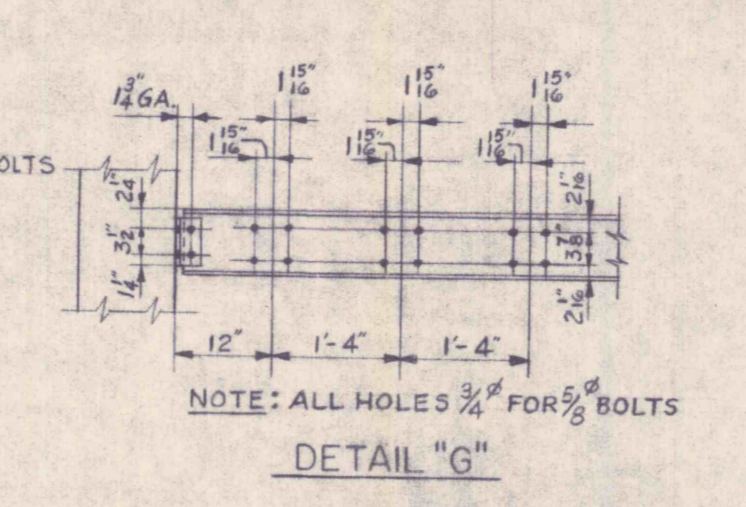
PLAN



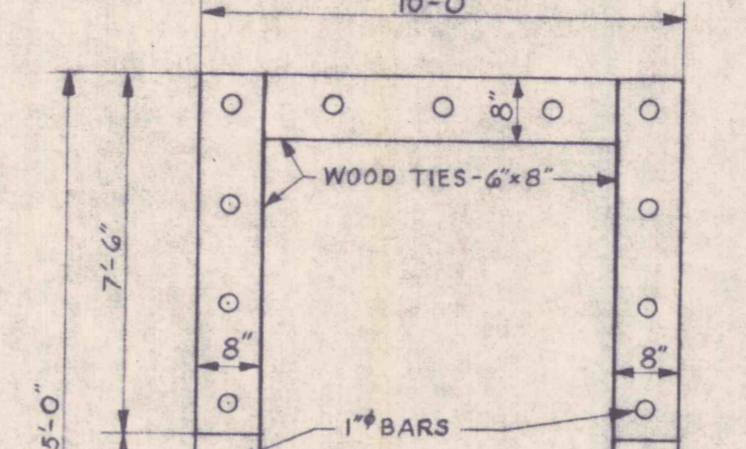
PLAN



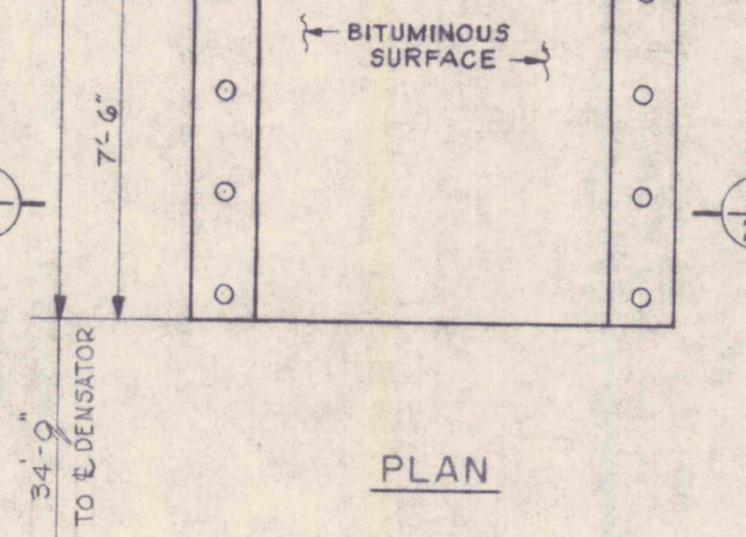
SECTION 2/21  
CHANNEL SUPPORT FOR FORCE MAINS  
SCALE: 1/4" = 1'-0"



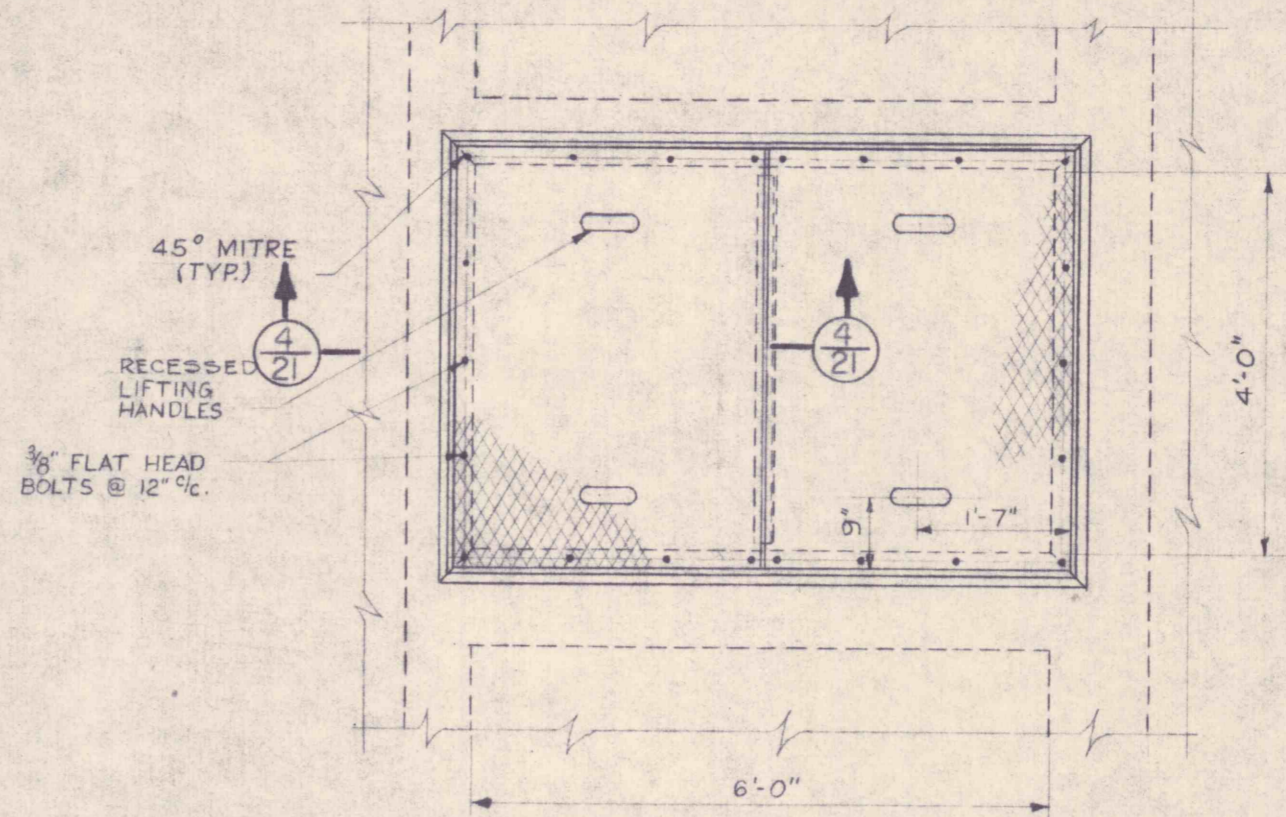
DETAIL "G"



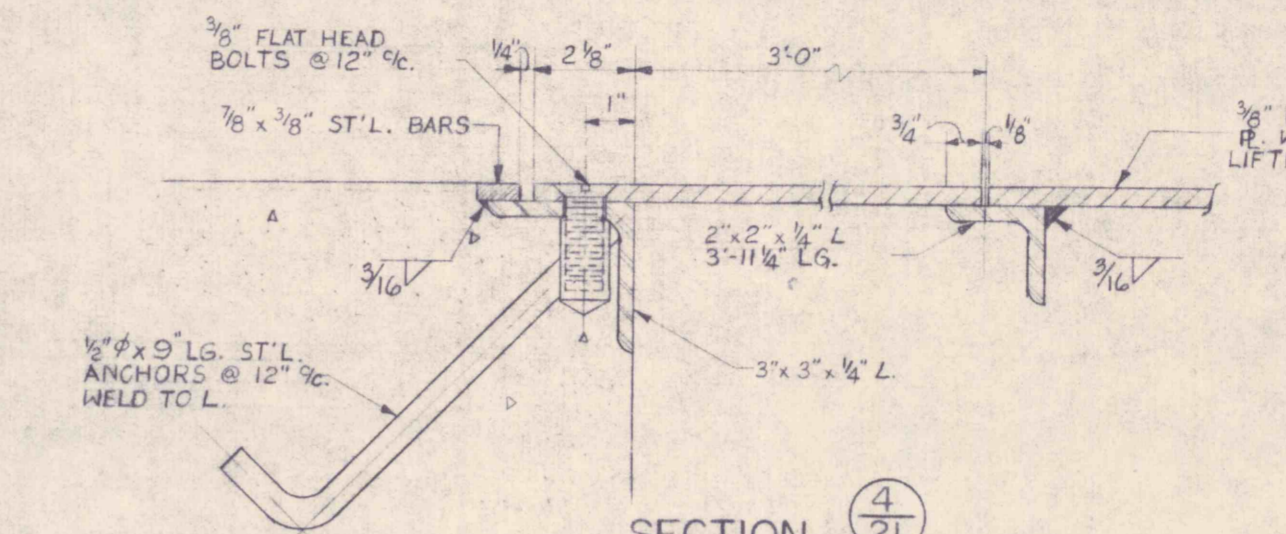
PLAN



SECTION 3/21  
LIMESTONE STORAGE AREA CURB  
NO SCALE

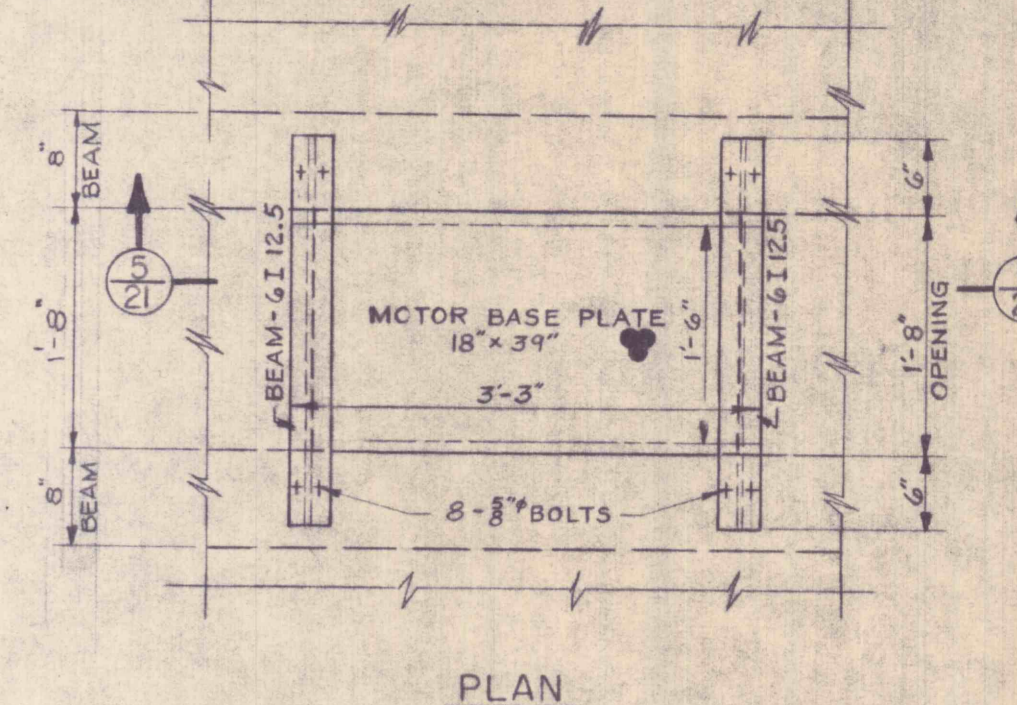


PLAN  
SCALE: 1/2" = 1'-0"

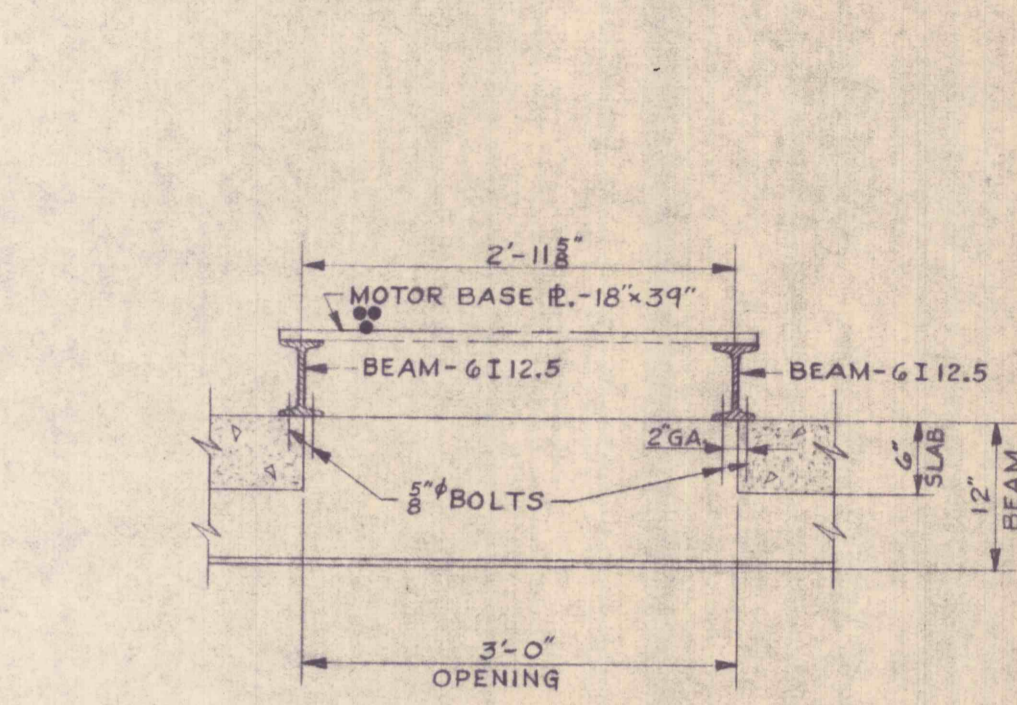


SECTION 4/21  
SCALE: 3/4" = 1'-0"

DETAIL OF HATCHWAY  
(CONTROL BUILDING)

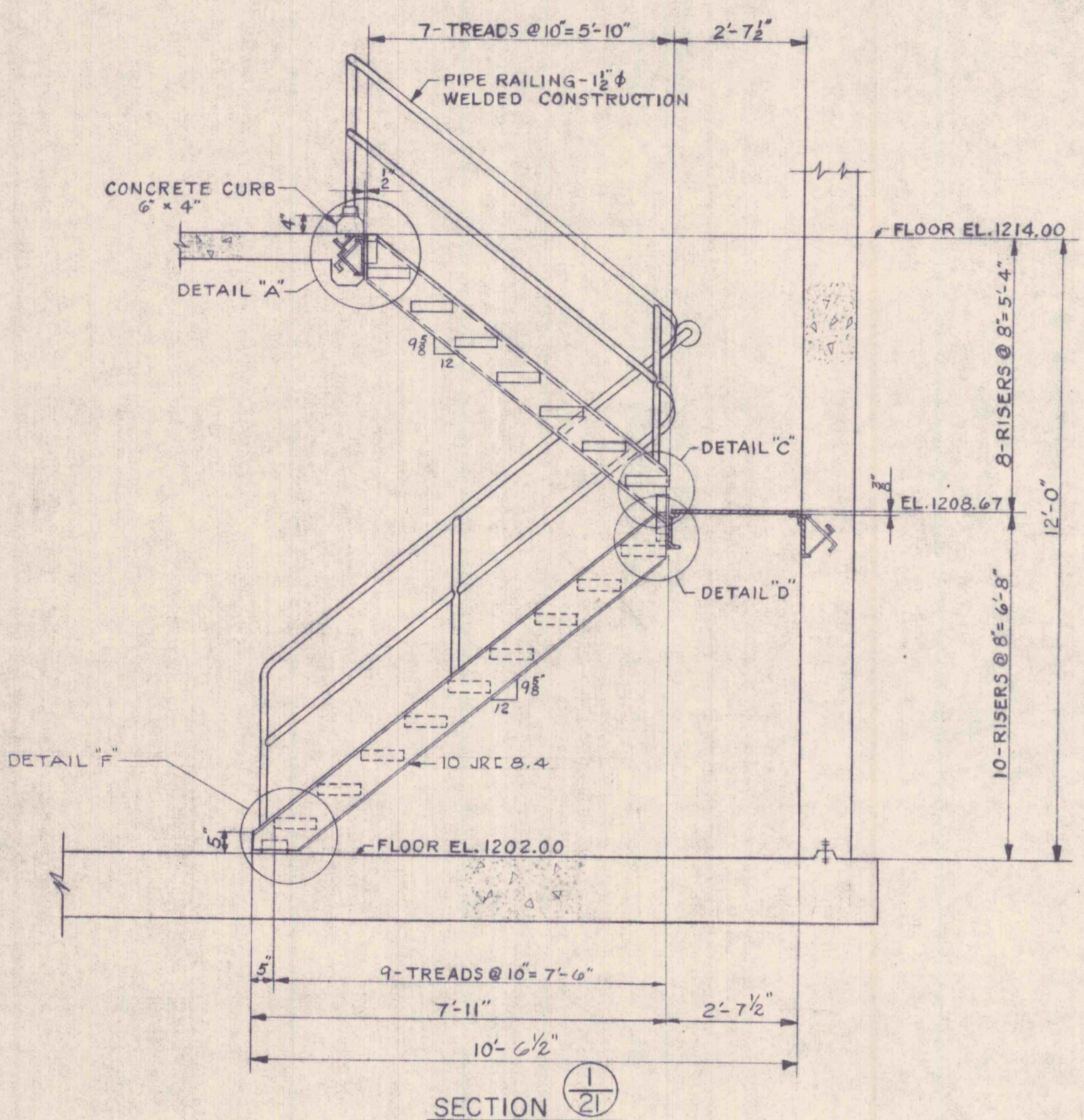


PLAN



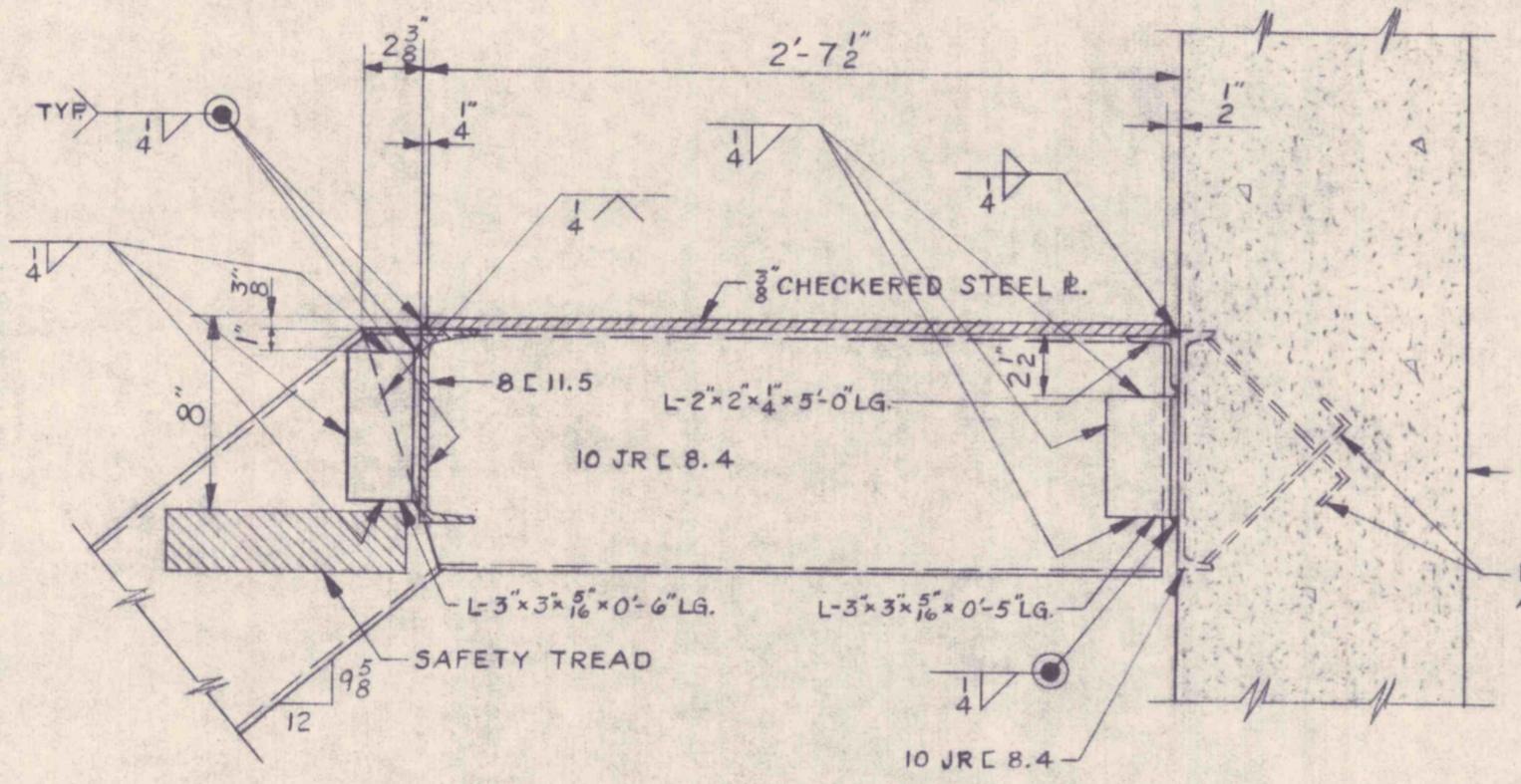
SECTION 5/21  
PROCTOR NO.2 PUMPING STATION (2-REQ'D)  
BENNETT BRANCH PUMPING STATION (ONE-REQ'D)

DETAIL OF MOTOR BASE  
SCALE: 3/4" = 1'-0"

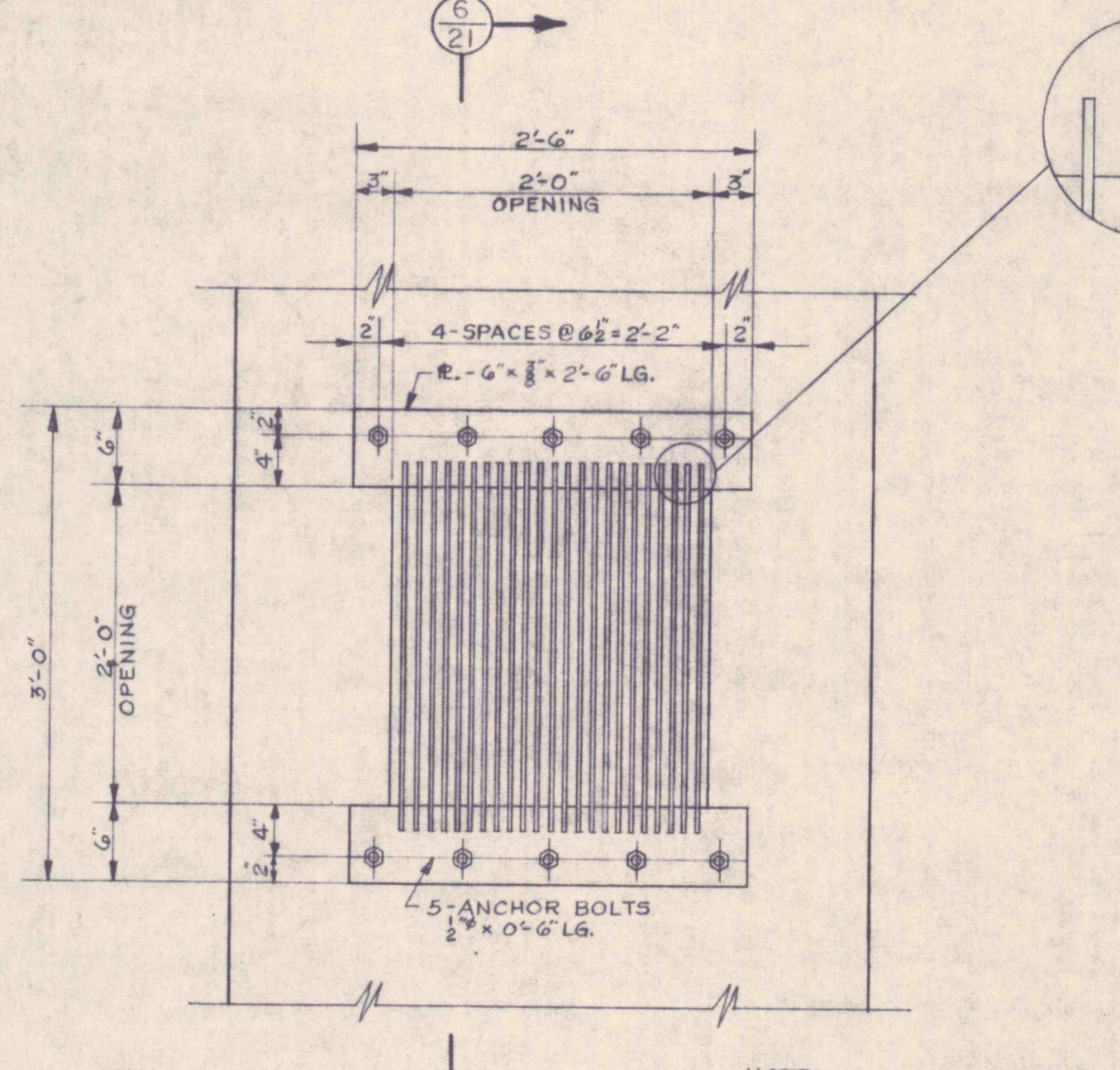


SECTION 1/21

STAIR DETAIL FOR CONTROL BUILDING  
SCALE: 3/8" = 1'-0"

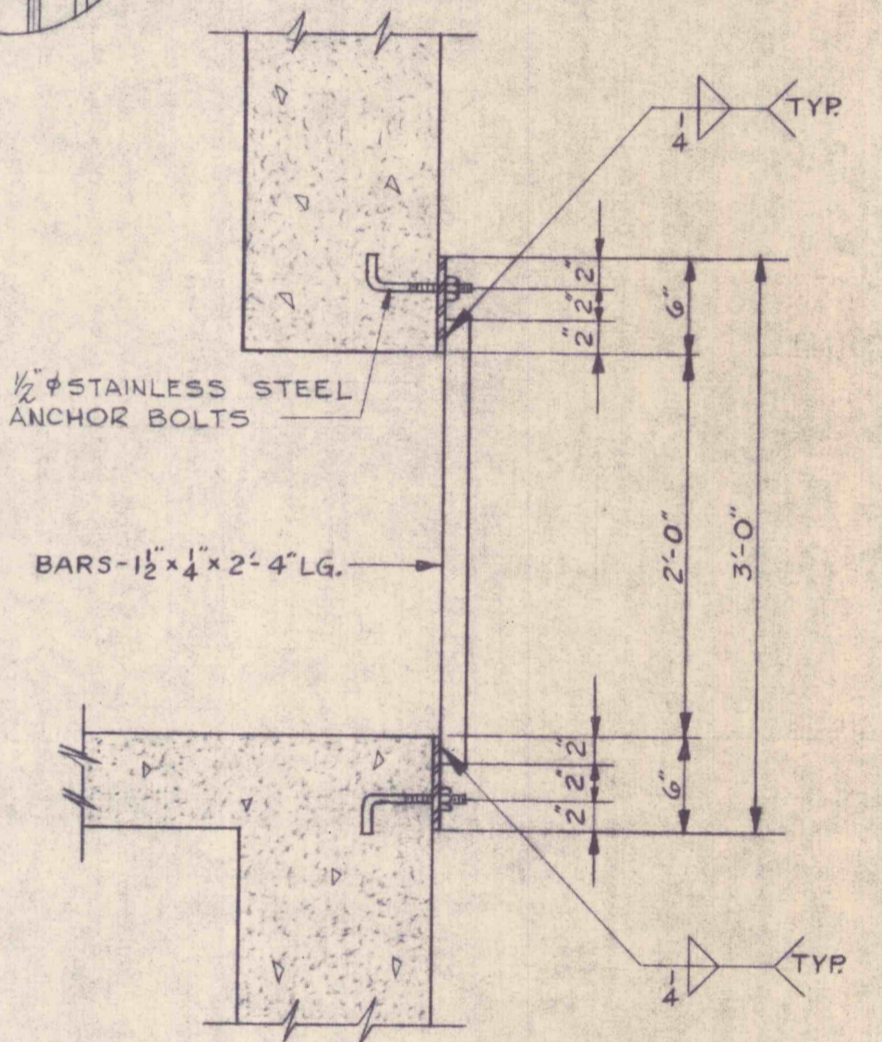


DETAIL "E"  
SCALE: 1/2" = 1'-0"

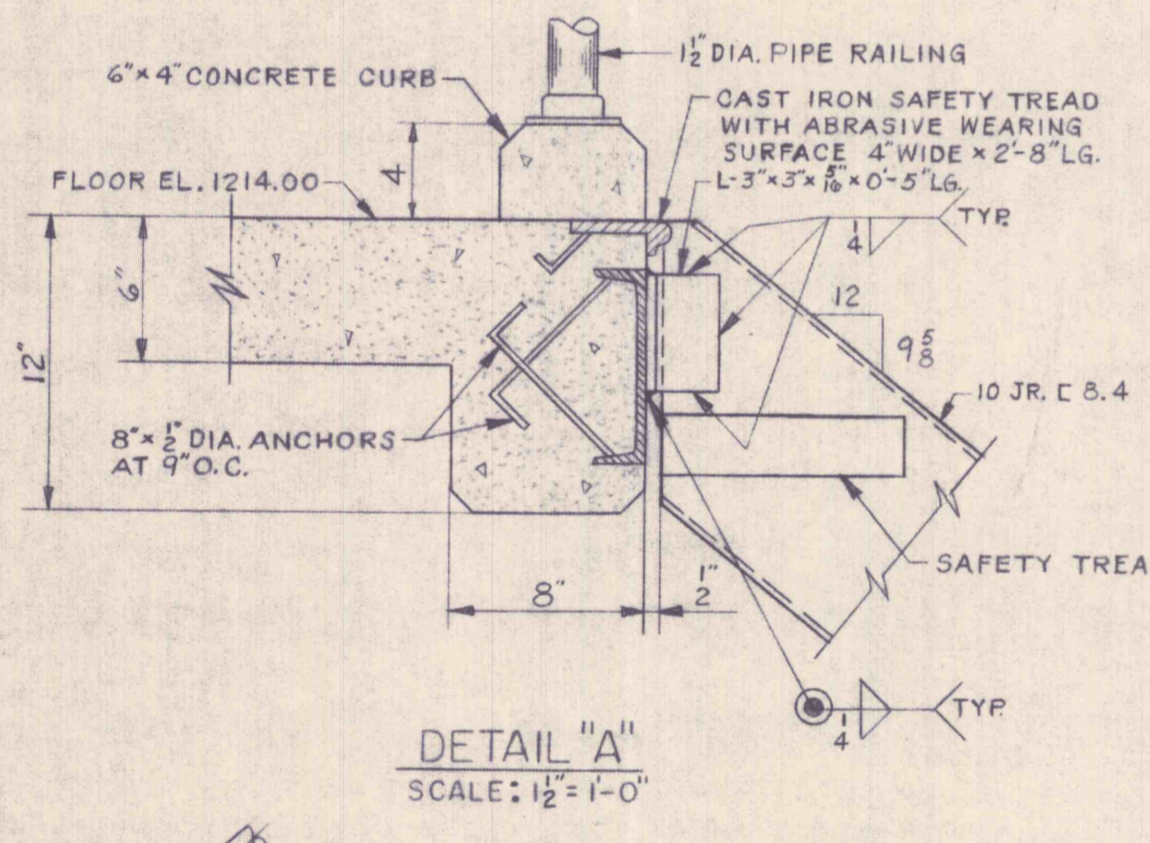


ELEVATION

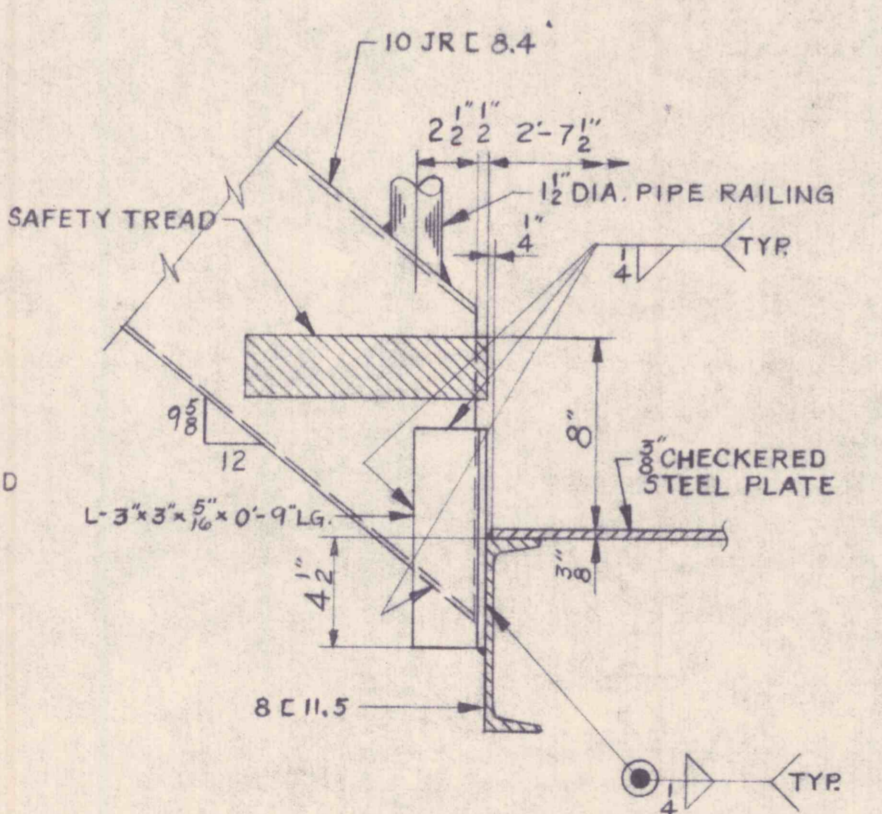
STAINLESS STEEL BAR SCREEN  
SCALE: 1" = 1'-0"



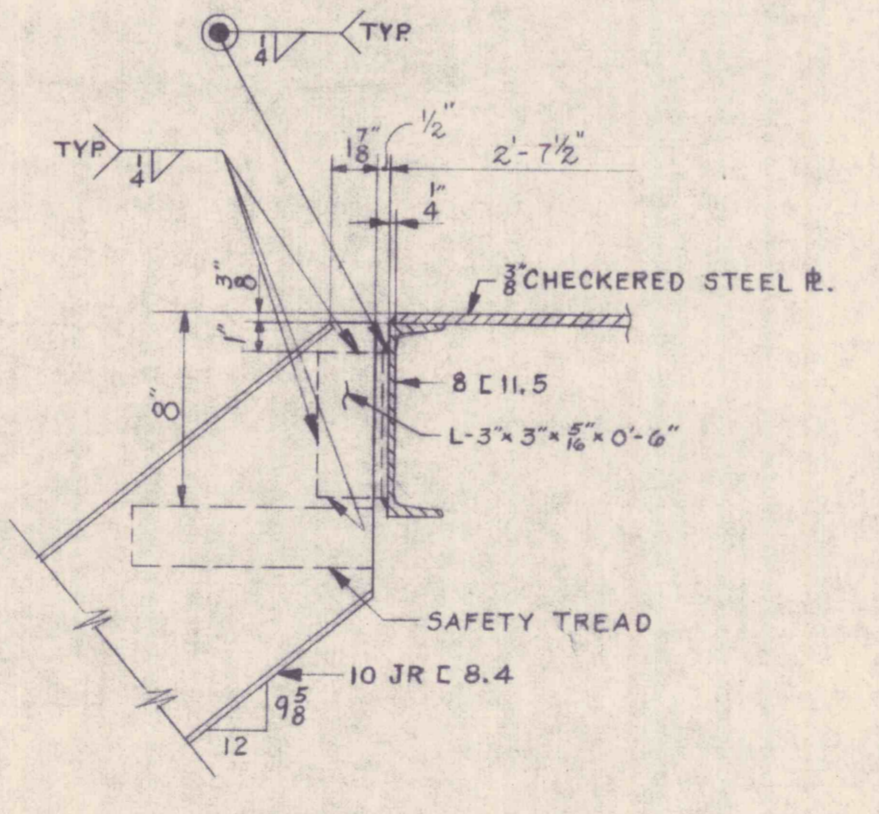
SECTION 6/21



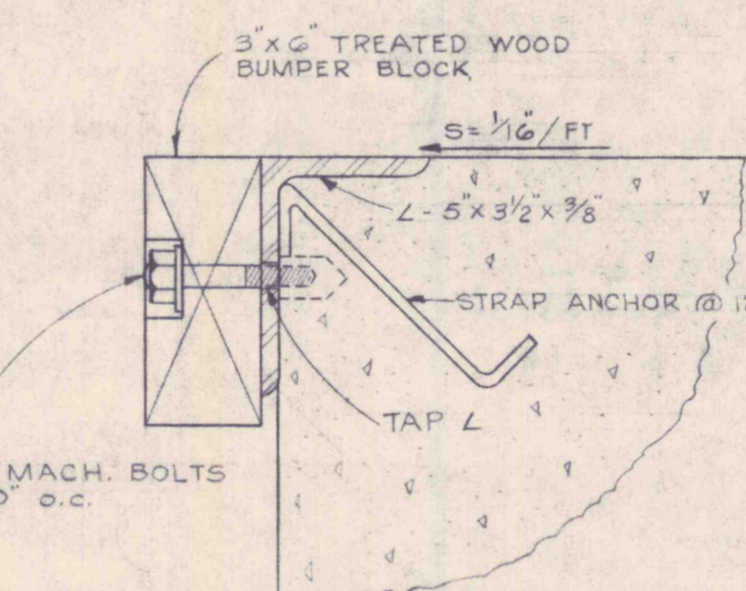
DETAIL "A"  
SCALE: 1/2" = 1'-0"



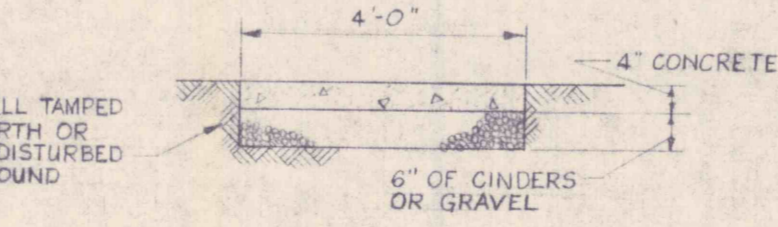
DETAIL "C"  
SCALE: 1/2" = 1'-0"



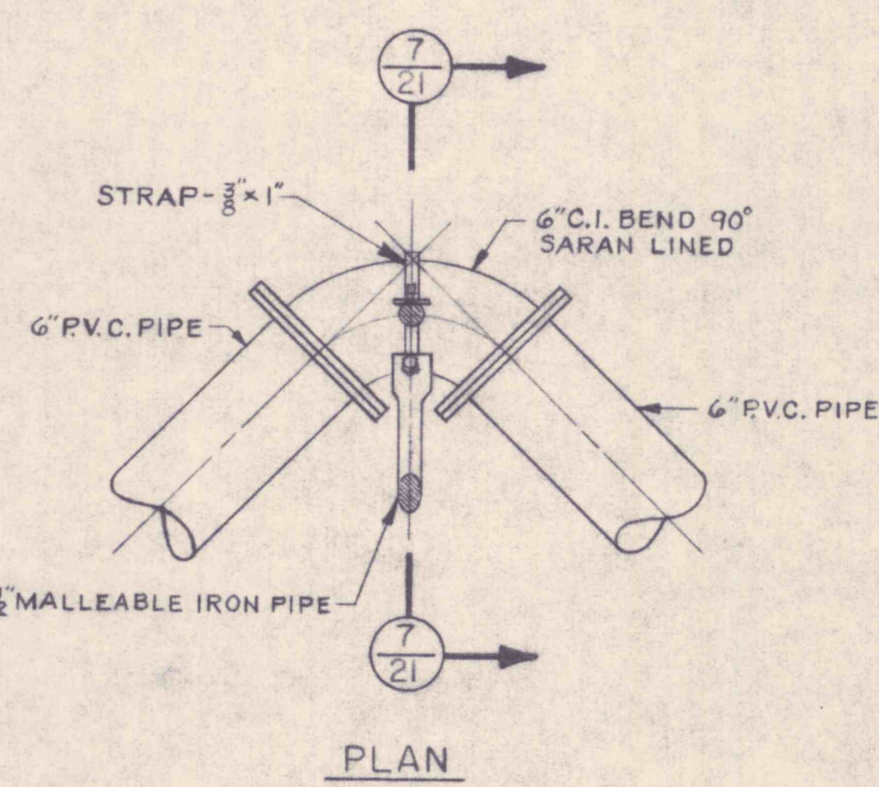
DETAIL "D"  
SCALE: 1/2" = 1'-0"



BUMPER STOP DETAIL  
NO SCALE

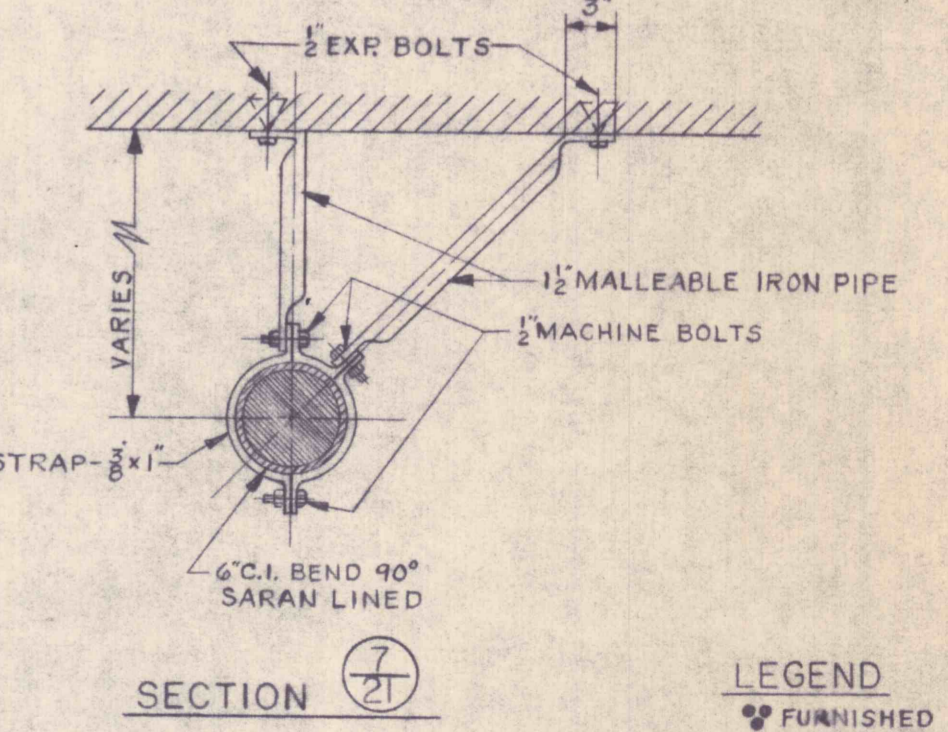


CONCRETE WALKS  
NO SCALE



PLAN

DETAIL OF P.V.C. PIPE SUPPORT  
SCALE: 1" = 1'-0"



SECTION 7/21

LEGEND  
\* FURNISHED BY THE OWNER AND INSTALLED BY THE CONTRACTOR.

REVISIONS			
NO.	DESCRIPTION	DATE	BY



**GANNETT FLEMING CORDDRY & CARPENTER, INC.**  
ENGINEERS

600 N. SECOND ST. HARRISBURG, PENNA.

DRAWN W.P.H.  
TRACED W.P.H.  
CHECKED C.K.M.  
APPROVED G.G.B.  
APPROVED

JOB No. **4590**  
SCALE AS SHOWN  
DATE JUNE 1967

THE PENNSYLVANIA STATE UNIVERSITY  
CONSTRUCTION OF  
A MINE DRAINAGE TREATMENT PLANT  
HUSTON TOWNSHIP, CLEARFIELD CO., PA.

MISCELLANEOUS DETAILS

SHEET No. **21**  
DRAWING No. I-17530