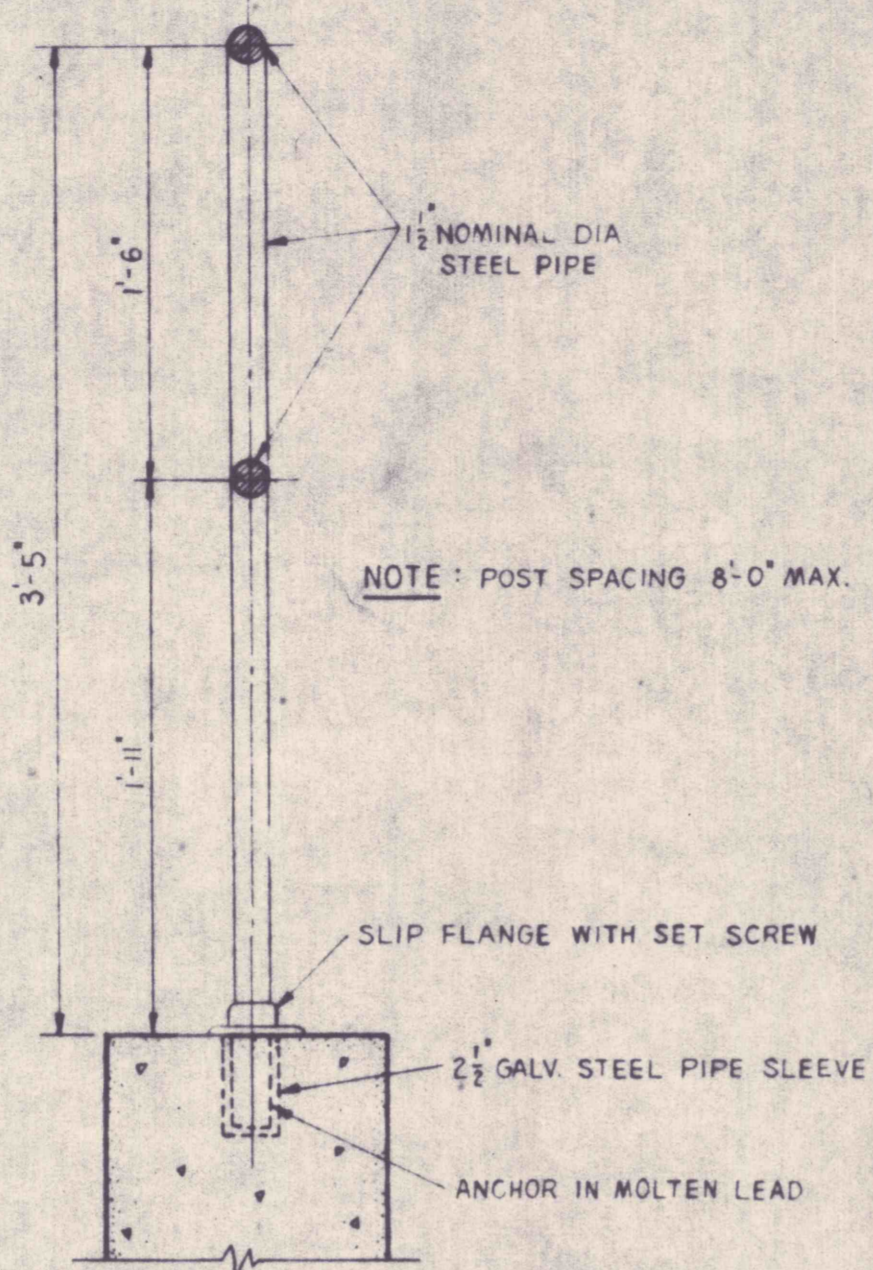
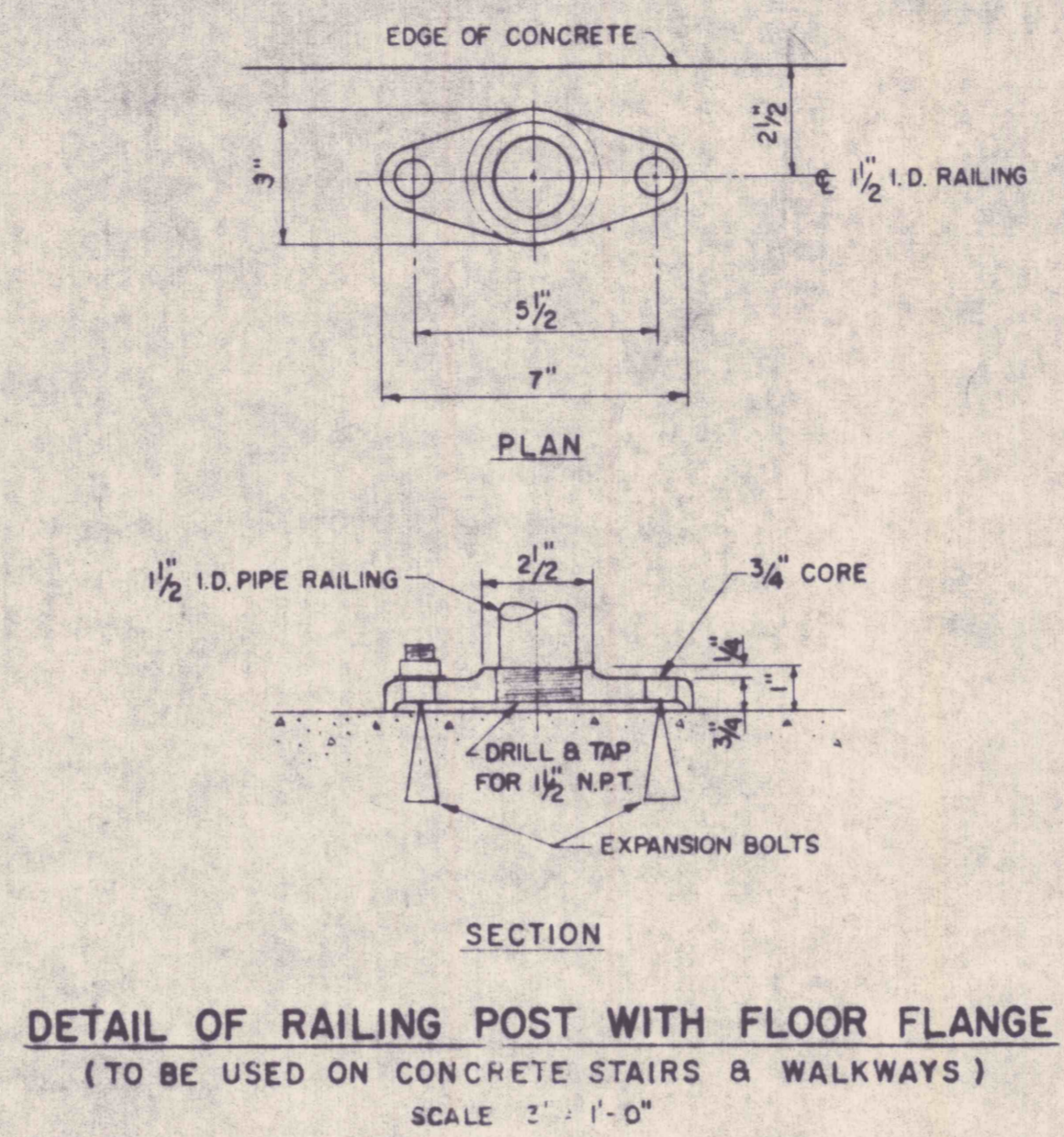


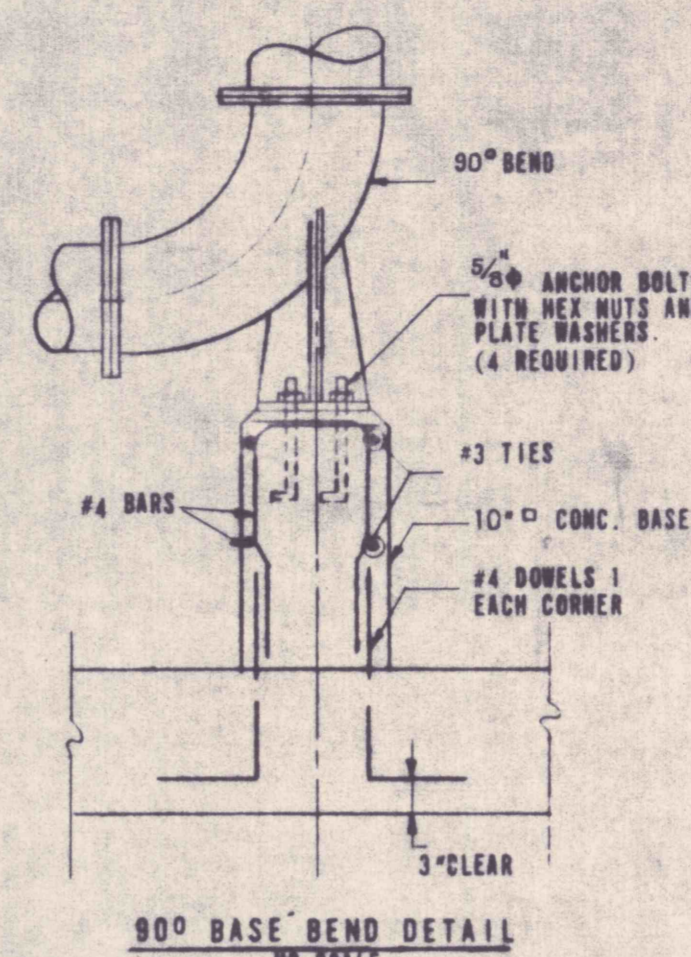
DETAIL OF CHECKERED STEEL PLATE
SCALE 3" = 1'-0"



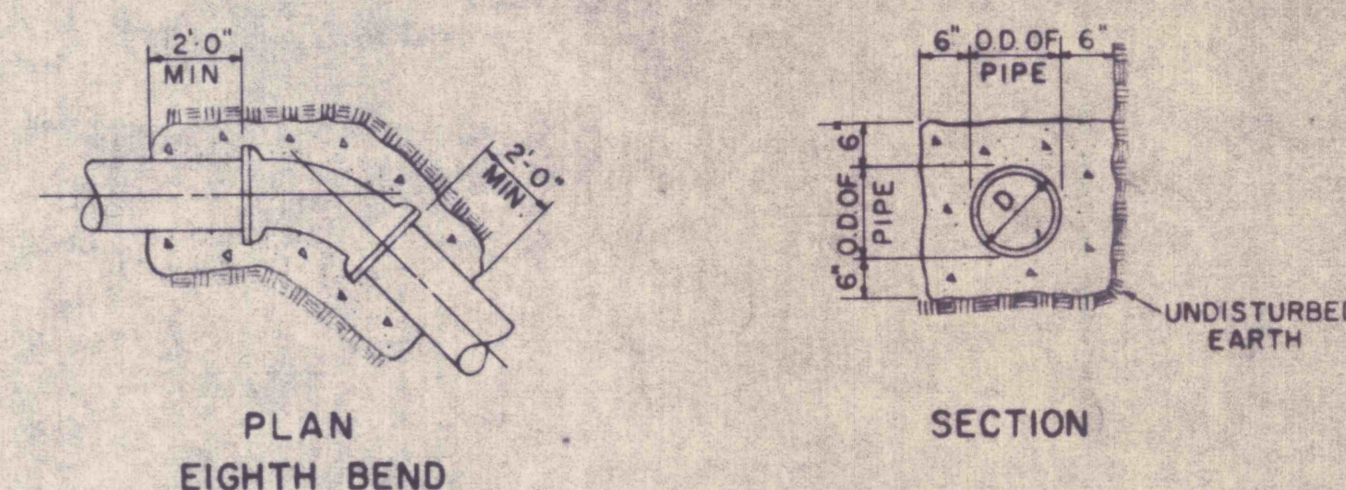
TYPICAL PIPE RAILING DETAIL
SCALE 1/2" = 1'-0"



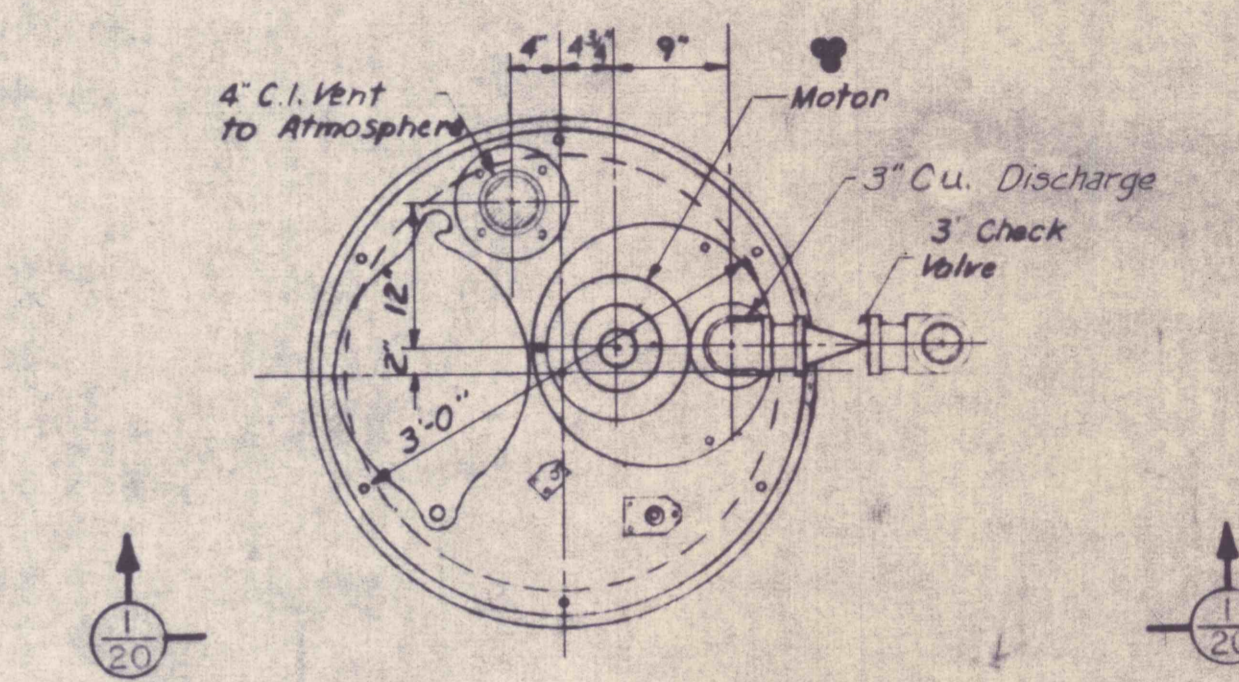
DETAIL OF RAILING POST WITH FLOOR FLANGE
(TO BE USED ON CONCRETE STAIRS & WALKWAYS)
SCALE 2" = 1'-0"



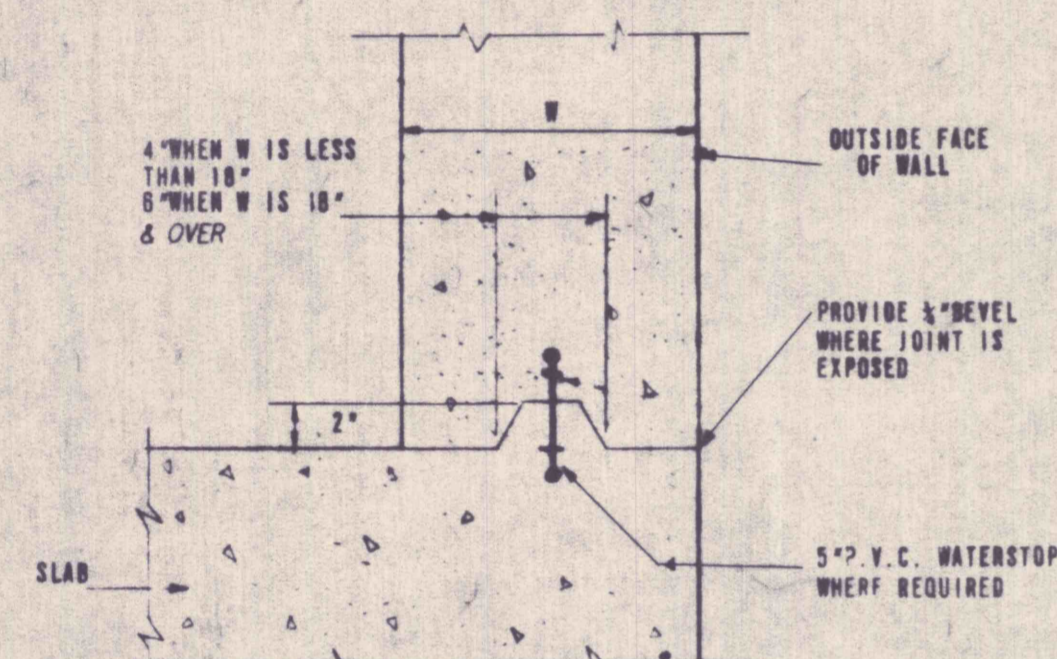
90° BASE BEND DETAIL
NO SCALE



CONCRETE ANCHORAGE
NO SCALE

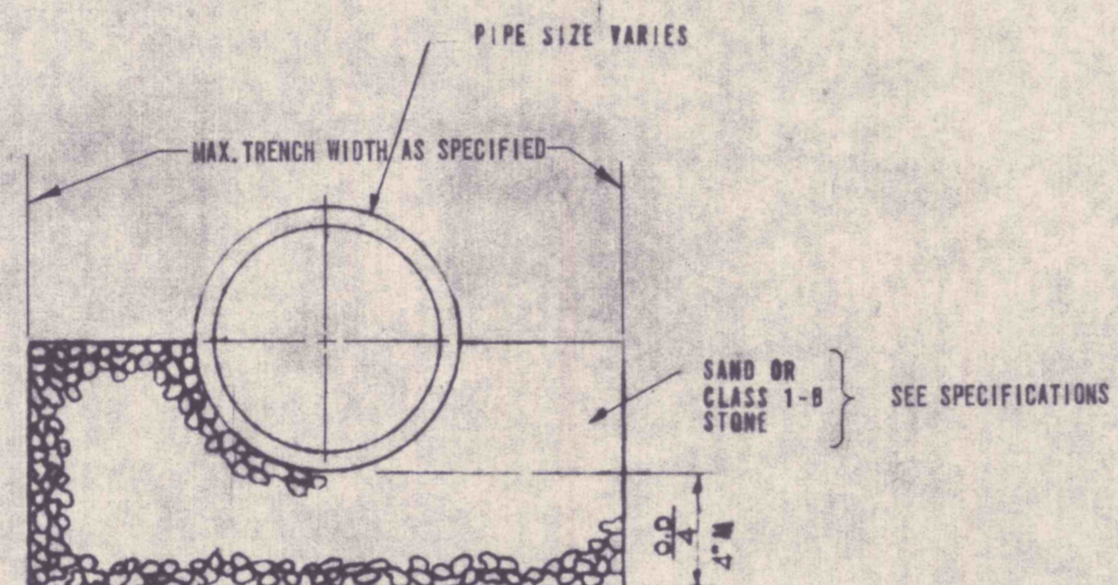


PLAN
Note: See Plan For Orientation of Valve and Piping on Pump Discharge

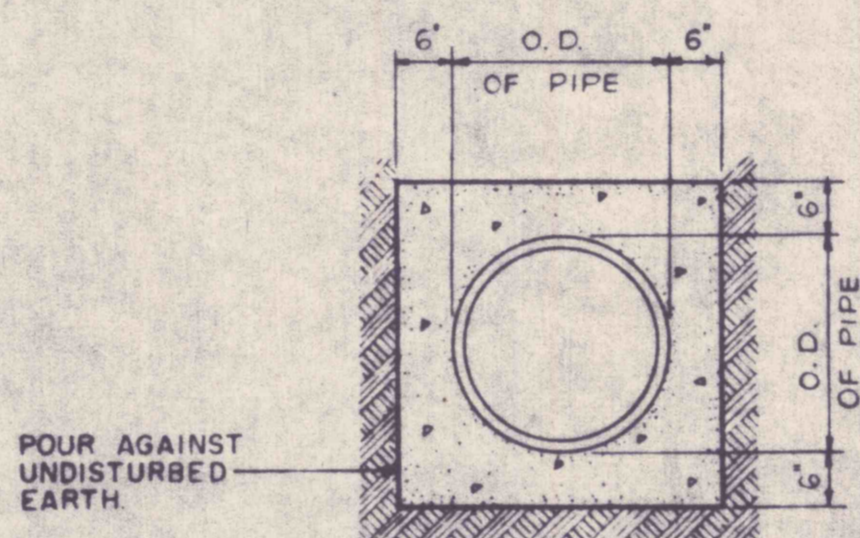


TYPICAL HORIZONTAL CONSTRUCTION JOINT
NO SCALE

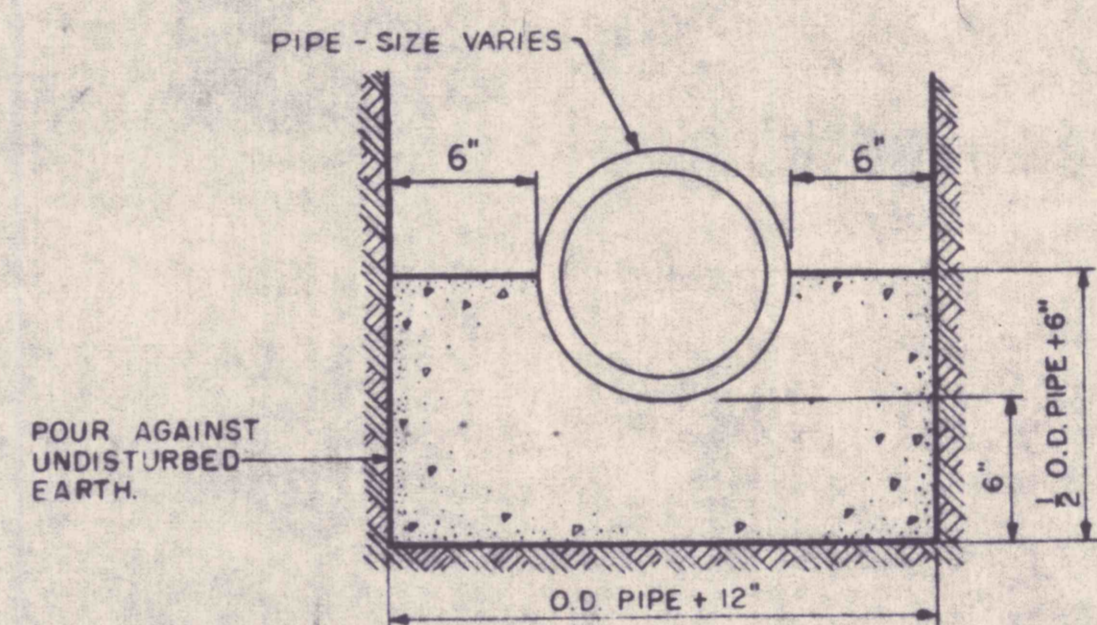
NOTE: WATER STOPS TO BE PROVIDED IN JOINTS WHERE SHOWN ON DRAWING



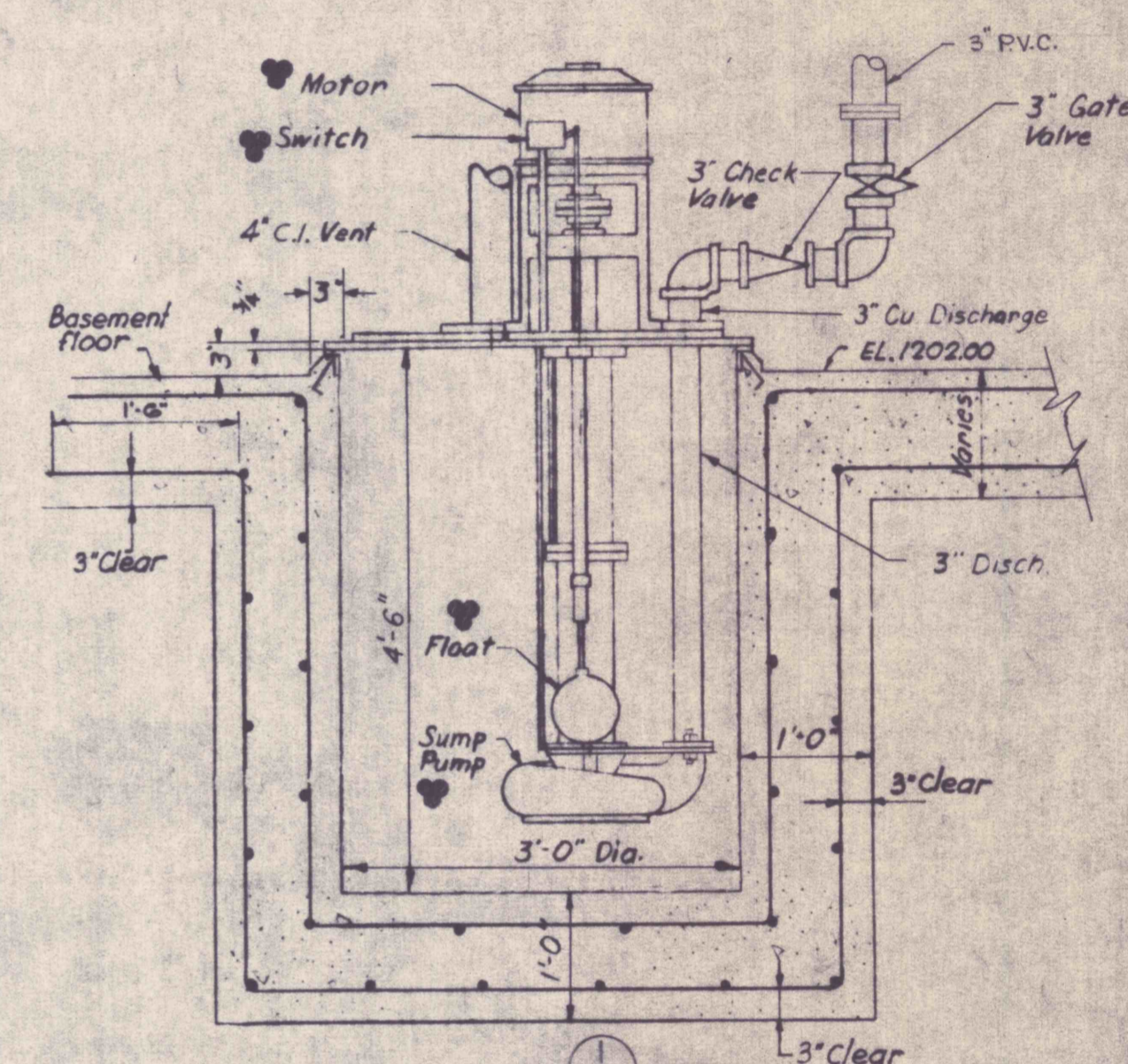
FIRST CLASS BEDDING
NO SCALE



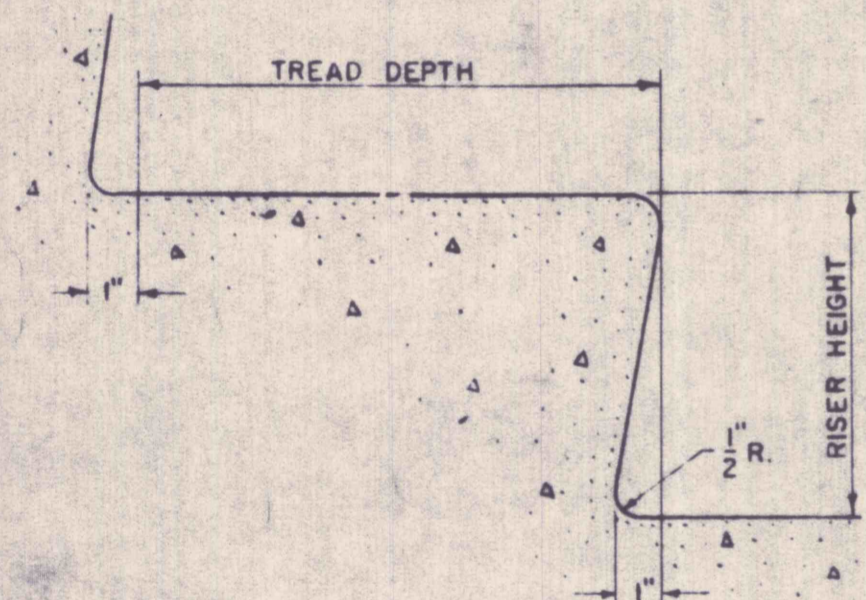
TYPICAL DETAIL OF PIPE ENCASEMENT
NO SCALE



CONCRETE CRADLE
NO SCALE

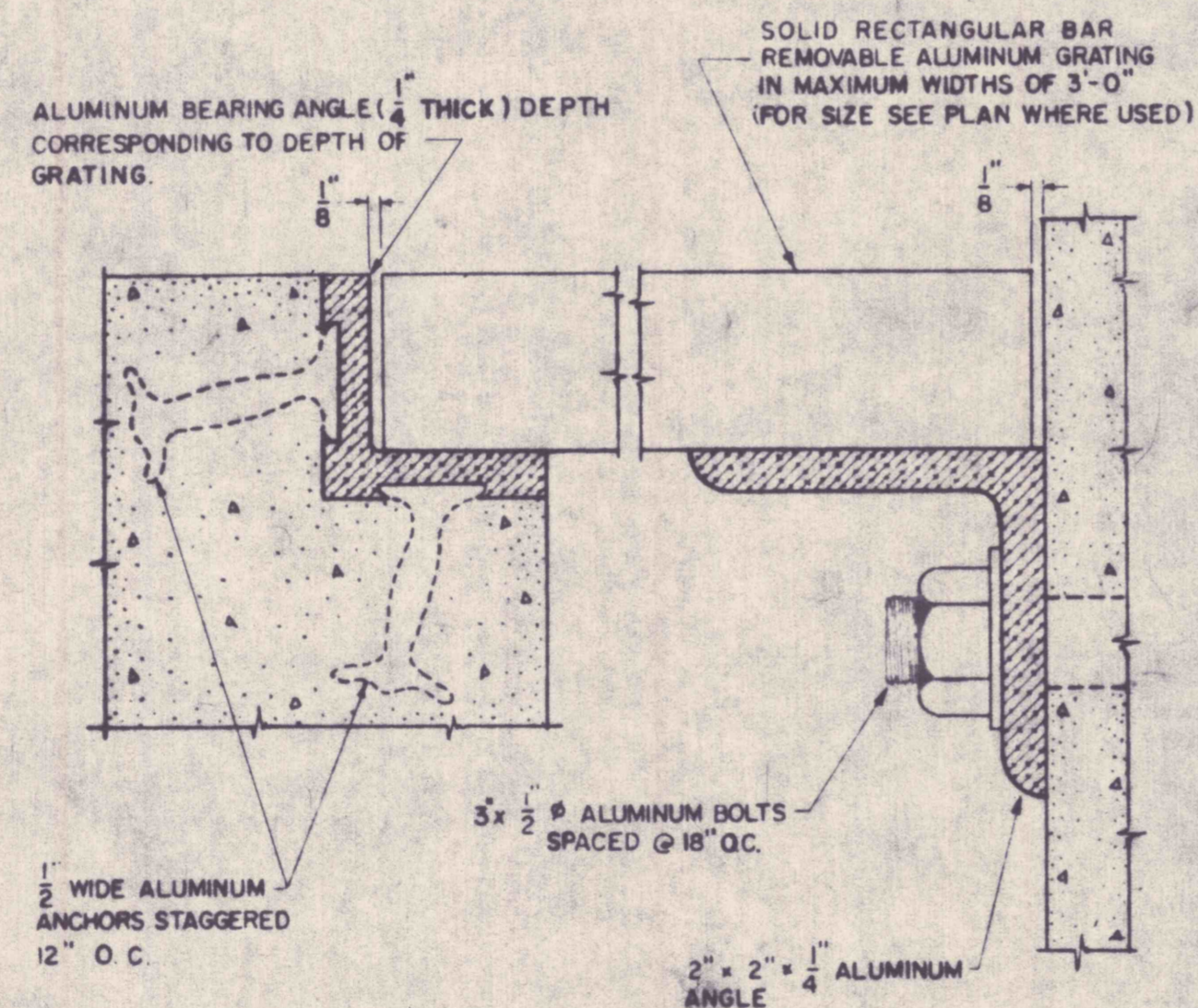


TYPICAL DETAIL OF SUMP
SCALE 3/4" = 1'-0"



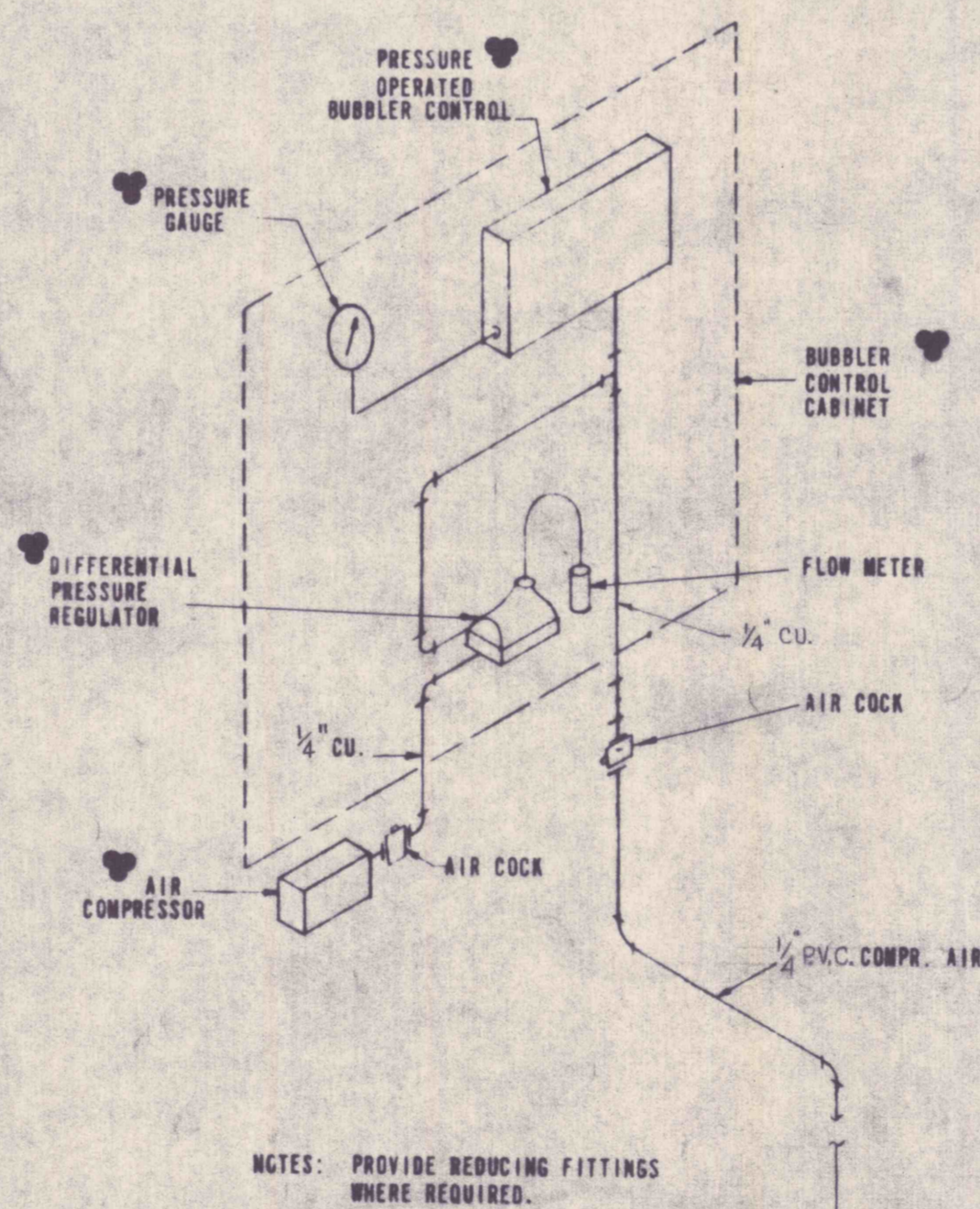
TYPICAL CONCRETE STAIR TREAD & RISER DETAILS
SCALE 2" = 1'-0"

(SEE PLANS FOR TYPE USED)

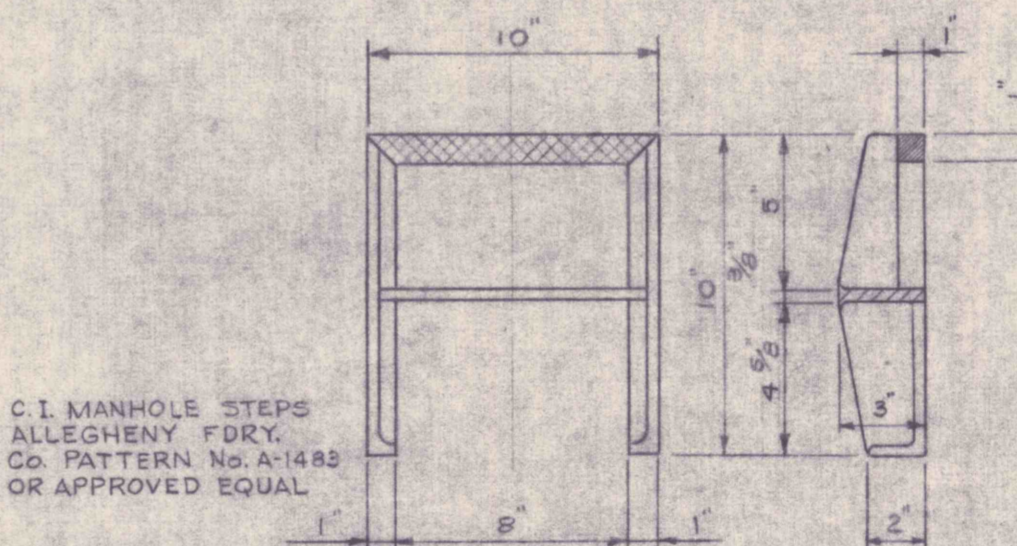


NOTE: ALUMINUM SURFACES IN CONTACT WITH CONCRETE TO HAVE BITUMASTIC COATING. BEARING TO BE PROVIDED ON TWO SIDES OF GRATING ONLY (EXCEPT WHERE SHOWN OTHERWISE)

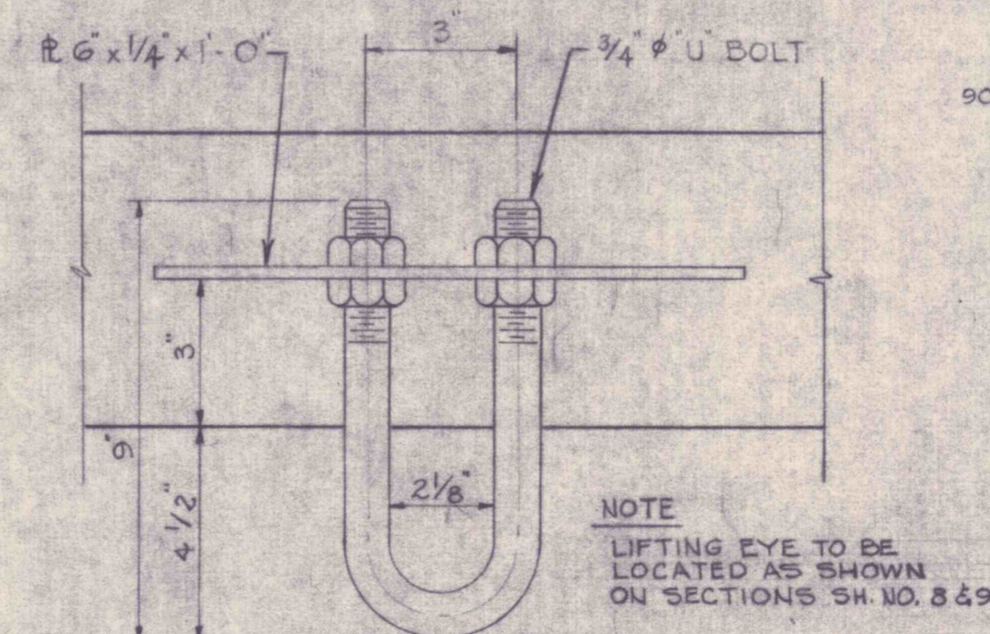
TYPICAL ALUMINUM GRATING DETAIL



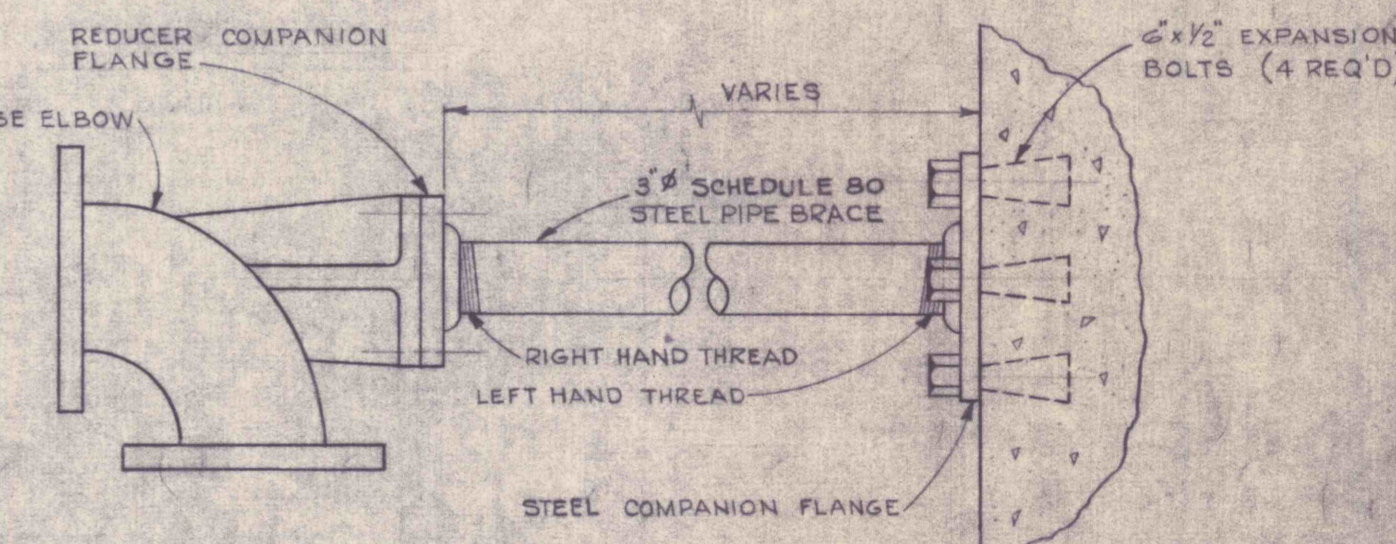
BUBBLER PUMP CONTROL SCHEMATIC
NO SCALE



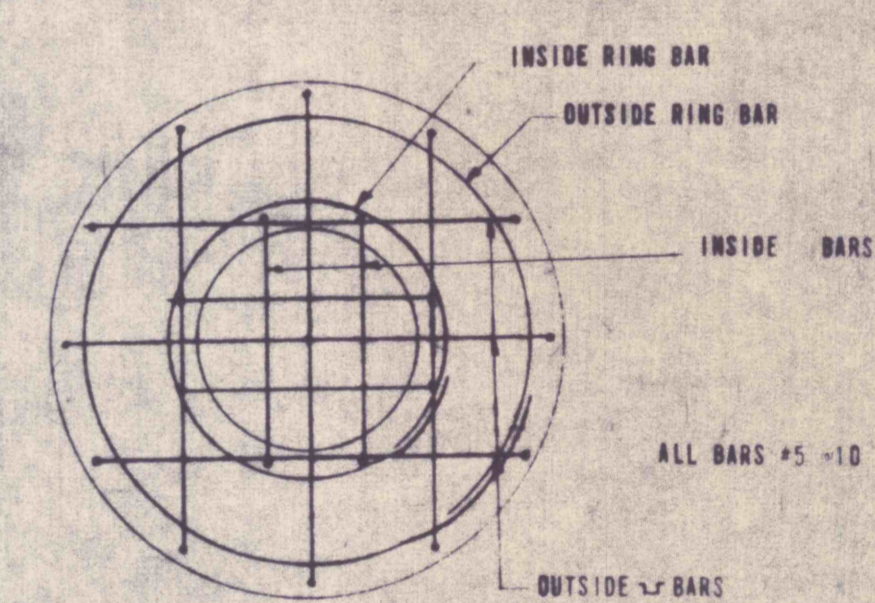
MANHOLE STEP DETAIL
(FOR USE IN CONCRETE WALLS ONLY)
NO SCALE



LIFTING EYE DETAIL
NO SCALE



PIPE BRACE DETAIL
NO SCALE



PLAN OF BASE SLAB
NO SCALE

LEGEND
FURNISHED BY OWNER AND INSTALLED BY CONTR.



DRAWN J.G.P.
TRACED J.G.P.
CHECKED G.K.M.
APPROVED G.G.B.
APPROVED

GANNETT FLEMING CORDRY & CARPENTER, INC.
ENGINEERS

600 N. SECOND ST. HARRISBURG, PENNA.

JOB No. 4590
SCALE AS SHOWN
DATE JUNE 1967

THE PENNSYLVANIA STATE UNIVERSITY
CONSTRUCTION OF
A MINE DRAINAGE TREATMENT PLANT
HUSTON TOWNSHIP, CLEARFIELD CO., PA.

MISCELLANEOUS DETAILS

SHEET No. 20
DRAWING No. I-7529